

GABARIT SEAT BELT TESTING FIXTURE

UPDATE: MARCH 2026

UN Regulation No. 173 (Annex 6 - Appendix 1) requires a test procedure and the use of a test fixture (Gabarit) to determine the suitability of seating positions for the installation of child restraints of the “universal” category. This procedure was originally included in UN Regulation No. 16 which was split into three sections, including Regulation No. 173 dealing with safety-belts and child restraint systems installation (vehicle).

Gabarit Seat Belt Testing Fixture ECE R173.6.1

The test fixture shall be used to determine the suitability of seat positions for the installation of child restraints of the “universal” category. Analog to the legal requirements of ECE R173 and the Euro NCAP Technical Bulletin CP 008-1 related to Child Occupant Protection Prerequisites of 2026.

*The Gabarit is coated and available with aluminum corners. Cotton cloth available upon request.

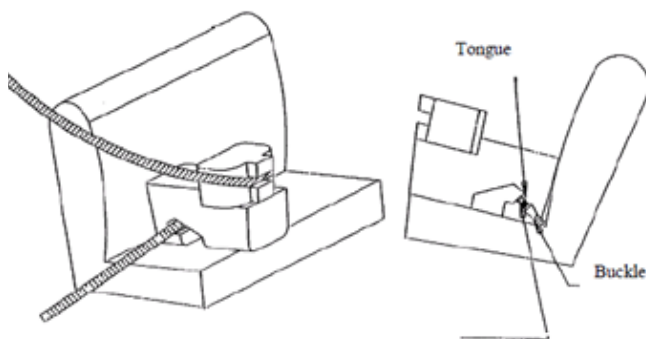


Figure 1 - Gabarit Testing Fixture in use as shown in UN Regulation No. 173 (Annex 6 - Appendix 1)



Physical Properties

REQUIREMENT	SPECIFICATION
WEIGHT	23kg
LENGTH	690mm
WIDTH	400mm
HEIGHT	420mm
MATERIAL	Ureol

Available Gabarit Seat Belt Fixtures

PART NUMBER	DESCRIPTION	COMMENT
TE-CRF-R16-UNIVERSAL	SEAT BELT FIXT ECE R16.A17.1 GABARIT	Standard version, coated and measured

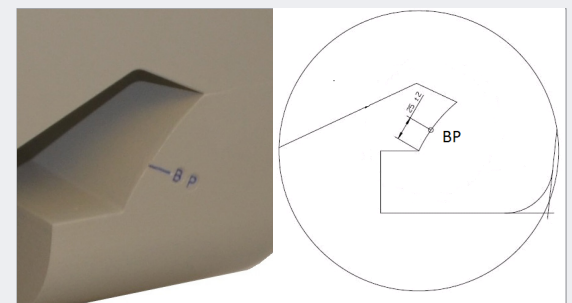


Figure 2 - The Gabarit has a marked BP-point (buckle point left & right) as specified in UN Regulation No. 173 (Annex 6 - Appendix 1)