

Humanetics
THOR-5F Advanced Female Dummy
474-0000



Parts Catalog





For information on Humanetics products, please visit our web site at www.humaneticsatd.com
or contact:

Humanetics
23300 Haggerty Road
Farmington Hills, Michigan
48335 USA
Tel: +1 248 778 2000
Fax: +1 248 778 2001

No part of this publication may be reproduced, stored in a retrieval system or transmitted in any form or by any means, electronic, photocopying, recording, mechanical or otherwise, without the express written consent of Humanetics Innovative Solutions.

Copyright © 2022 Humanetics, All rights reserved.

The information in this catalog is furnished for informational use only, and is subject to change without notice. Humanetics Innovative Solutions assumes no responsibility or liability for any errors or inaccuracies that may appear in this catalog.

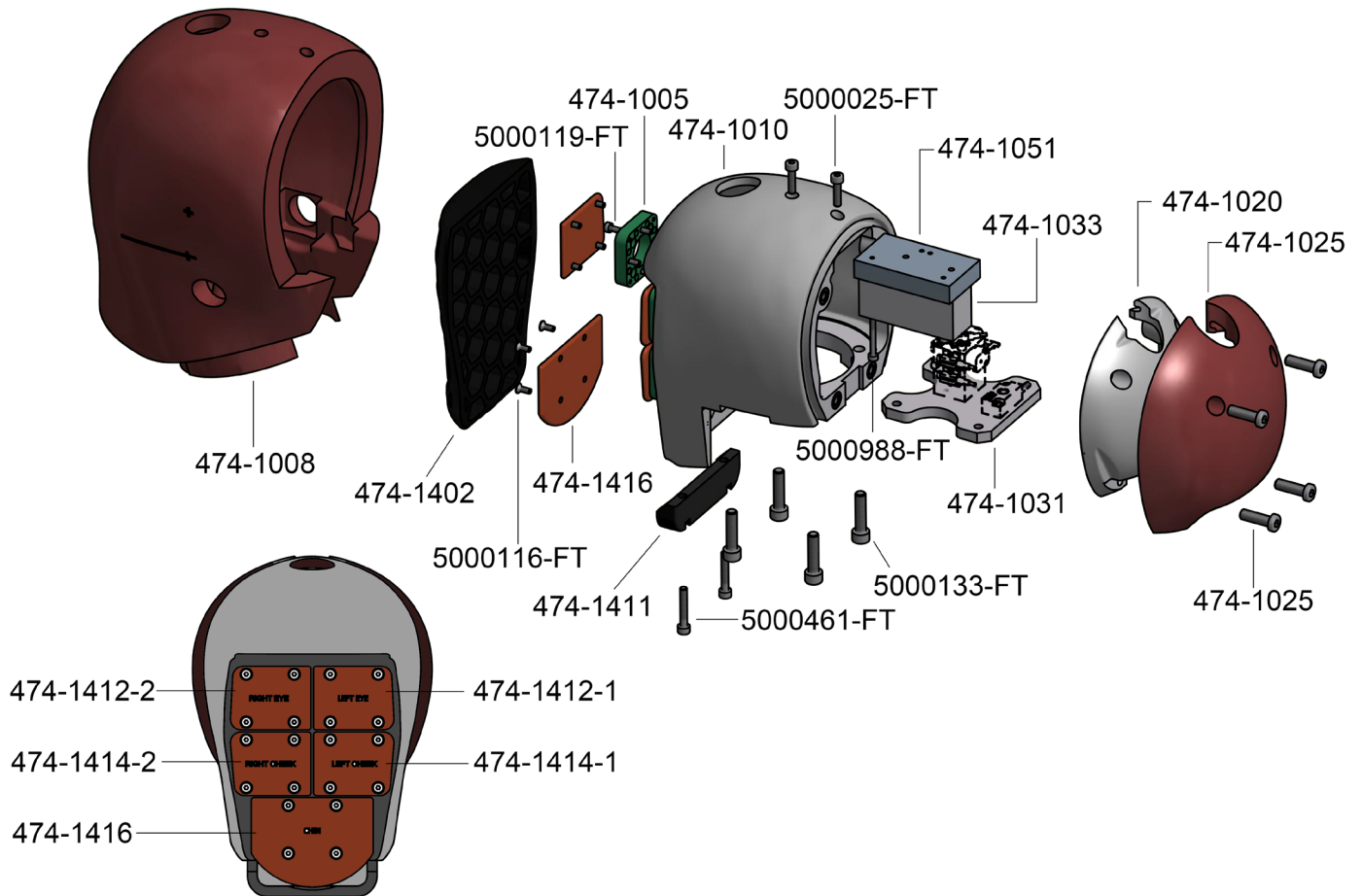
Table of Contents

Head Assembly	4
Neck Assembly.....	6
Thorax Assembly	10
Spine Assembly.....	14
Shoulder Assembly Left.....	17
Shoulder Assembly Right	19
Pelvis Assembly	21
Arm Assembly Left.....	23
Arm Assembly Right	26
Upper Leg Assembly Left.....	29
Upper Leg Assembly Right	31
Knee Assembly	33
Knee Slider Assembly	34
Lower Leg Assembly Left.....	36
Lower Leg Assembly Right.....	38
Tibia Assembly.....	40
Ankle Assembly	43
Instrument Mounts	46
Clothes	46
Optional Spares	47
Misc.....	47

Background

THOR, which is an acronym for **T**est device for **H**uman **O**ccupant **R**estraint, is an advanced 5th percentile female dummy representing significant improvements over the Hybrid III dummy which is still widely used in test labs today. The overall design specifications of the THOR-5F were guided by the University of Michigan Transportation Research Institute's (UMTRI) Anthropometry of Motor Vehicle Occupants (AMVO) fifth percentile female data, weighing at 108 lbs. and a stature of 59 inches. A NHTSA scaled version of the THOR-50M dummy was used as a basic for the mechanical blueprint with the skeleton and flesh geometry redesigned to match the UMTRI AMVO 5F landmarks and surface geometry. Lessons learned from the THOR-50M development were also reviewed and incorporated into the THOR-5F design and a significant amount of effort was made to improve the overall dummy handling.

Head Assembly

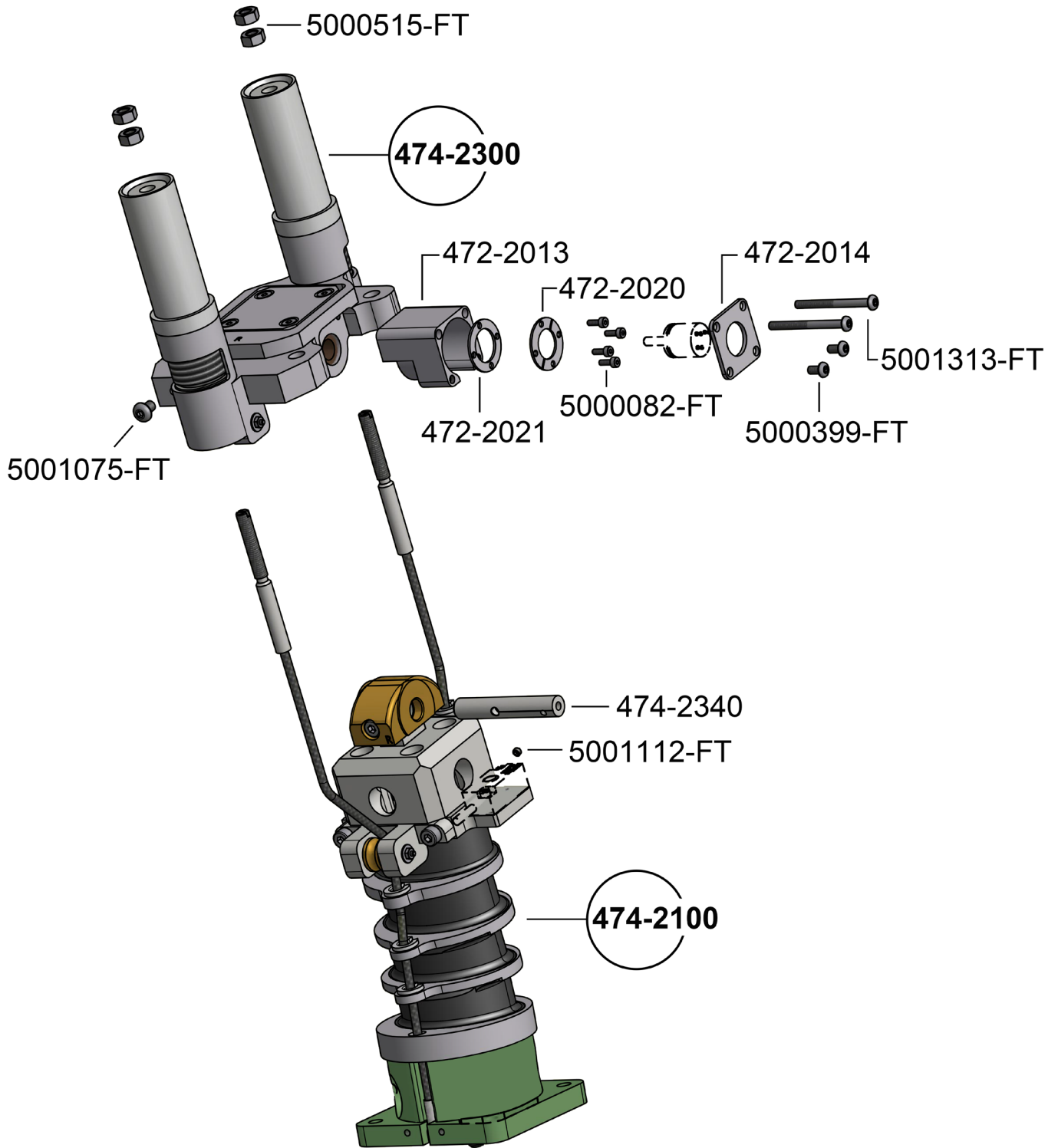


Part Number	Description	Qty. Req'd Per Dummy
474-1000	HEAD ASSEMBLY, THOR 5TH	1
474-1010	SKULL, MACHINED, THOR 5TH	1
474-1005	FACE LOAD CELL REPLACEMENTS	5
474-1008	HEAD SKIN MOLDED, THOR 5TH	1
474-1020	SKULL CAP, MACHINED, THOR 5TH	1
474-1025	CAP SKIN, THOR 5TH	1
474-1031	SENSOR MOUNTING PLATE, HEAD	1
474-1033	6 STACK SLICE EXT. S.R.	1
474-1051	BALLAST/SLICE MOUNT	1
474-1402	FACE FOAM	1
474-1411	CHIN GUARD	1
474-1412-1	LEFT EYE LOAD CELL PLATE	1
474-1412-2	RIGHT EYE LOAD CELL PLATE	1
474-1414-1	LEFT CHEEK LOAD CELL PLATE	1
474-1414-2	RIGHT CHEEK LOAD CELL PLATE	1
474-1416	CHIN LOAD CELL PLATE	1
5000025-FT	SCREW SHCS M4 X 0.7 X 16	2
5000116-FT	SCREW FHCS M3 X 0.5 X 8	20

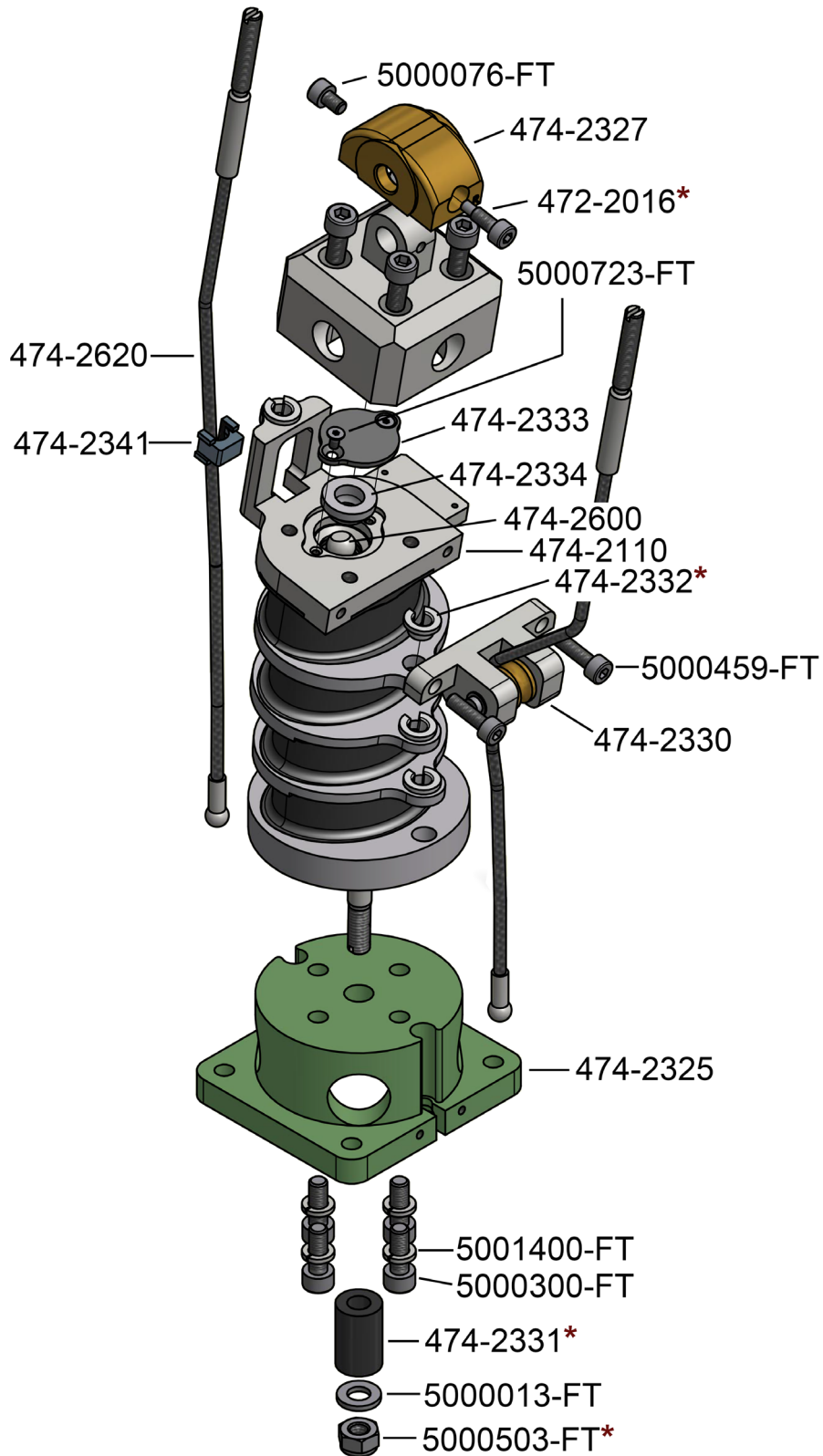
Head Assembly

Part Number	Description	Qty. Req'd Per Dummy
5000119-FT	SCREW SHCS M3 X 0.5 X 10	20
5000133-FT	SCREW SHCS M6 X 1 X 25	4
5000461-FT	SCREW SHCS M4 X 0.7 X 25	2
5000988-FT	SCREW SHCS M3 X 0.5 X 35	4
5001316-FT	SCREW LHCS M6 X 1.0 X 20	4

Neck Assembly

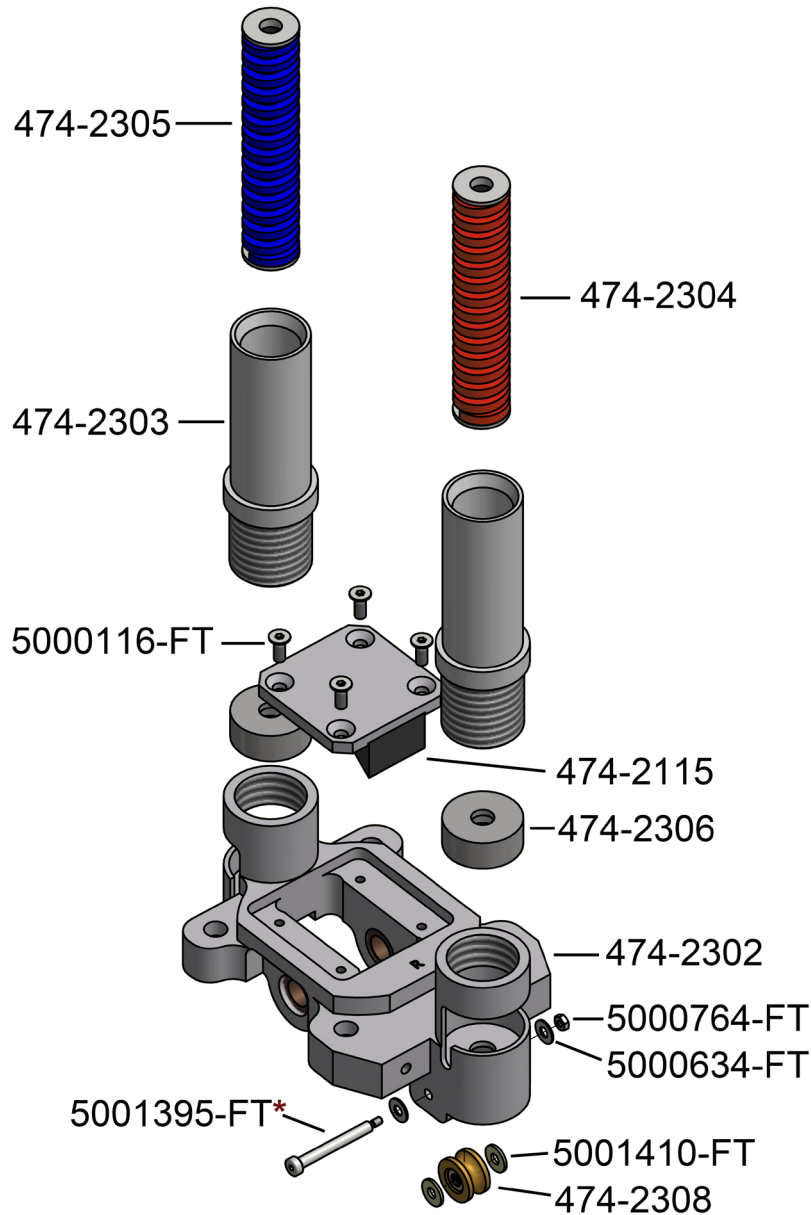


Neck Assembly



* Recommended spare part

Neck Assembly



* Recommended spare part

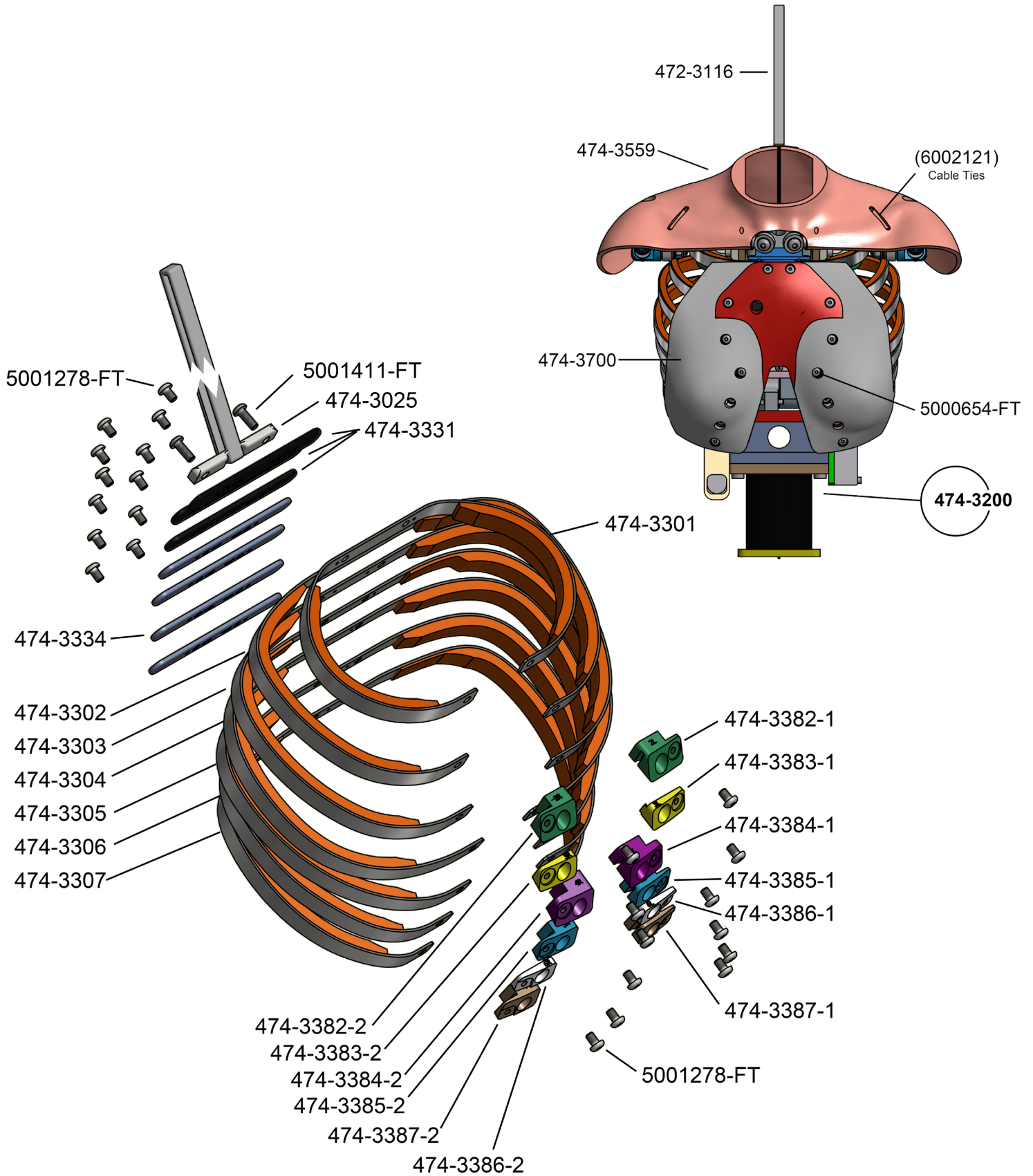
Part Number	Description	Qty. Req'd Per Dummy
474-2000	NECK ASSEMBLY, THOR 5TH T/C	1
474-2100	NECK COLUMN ASSEMBLY, THOR 5TH	1
474-2110	NECK ASSEMBLY, MOLDED	1
472-2016*	SCREW, OCCIPITAL CONDYLE	1
474-2325	LC, LOWER NECK, STRUC. REPLMT	1
474-2326	LC, UPPER NECK, STRUC. REPLMT	1
474-2327	OC FLEXION-EXTENSION CAM	1
474-2330	REAR PULLEY ASSEMBLY	1

Neck Assembly

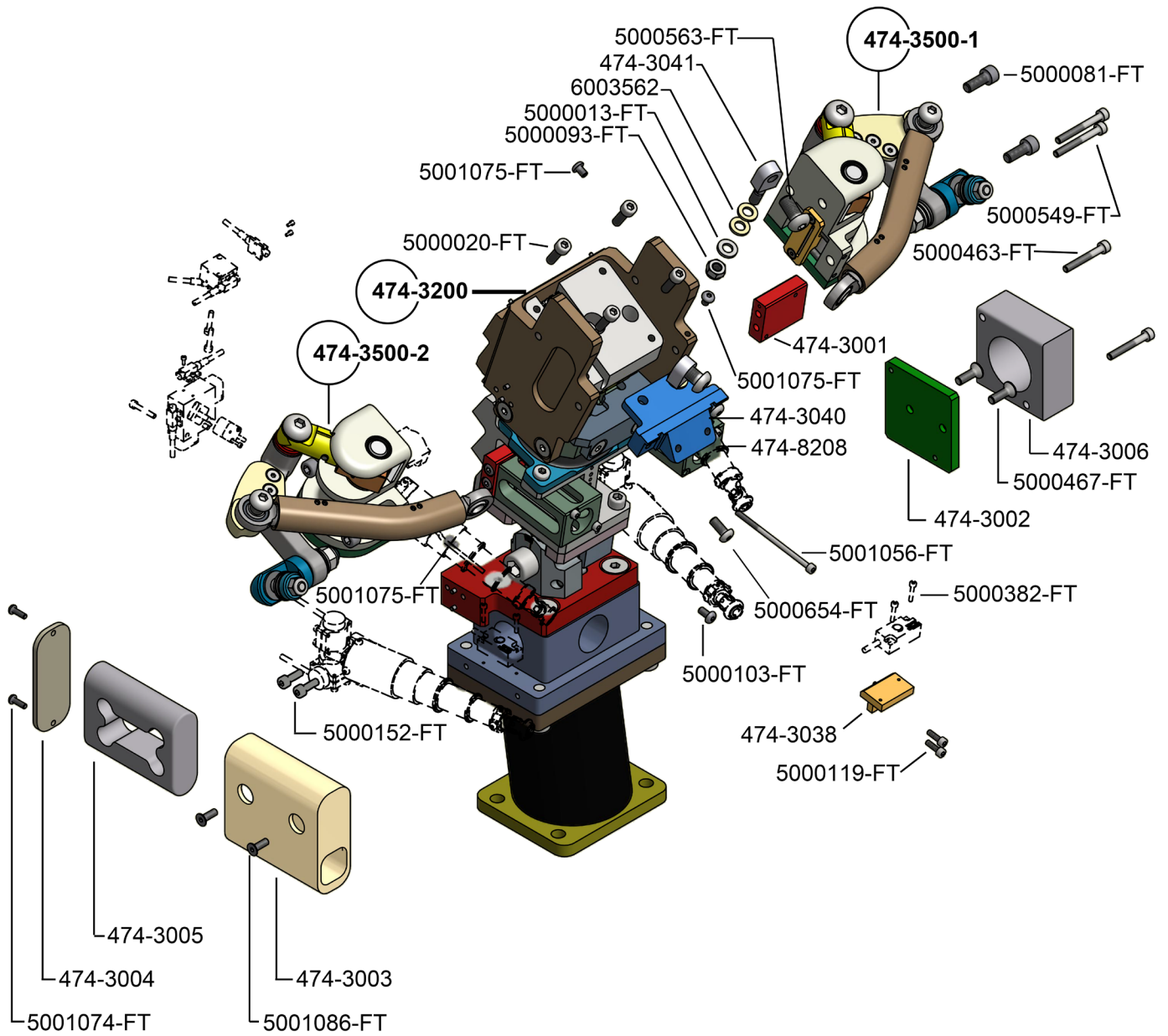
Part Number	Description	Qty. Req'd Per Dummy
474-2331*	COMPRESSION BUSHING, NECK CTR CABLE	1
474-2332*	CABLE GUIDE HALF	7
474-2333	COVER, NECK CABLE	1
474-2334	CENTER CABLE FIXTURE	1
474-2341	TOP PLATE CABLE GUIDE, NECK	1
474-2600	CENTER CABLE ASSY, NECK	1
474-2620	NECK CABLE ASSY, FRONT/REAR	2
5000002-FT	SCREW SHCS M5 X 0.8 X 12	4
5000013-FT	WASHER FLAT M6 (12 X 6.4 X 1.6) ZINC	1
5000076-FT	SCREW SHCS M4 X 0.7 X 6	1
5000300-FT	SCREW SHCS M5 X 0.8 X 14	4
5000459-FT	SCREW SHCS M4 X 0.7 X 14	2
5000503-FT*	NUT HEX NYLON INSERT M6 X 1 18-8 SS	1
5000723-FT	SCREW FHCS M2.5 X .45 X 5	2
5001400-FT	WASHER SPLIT LOCK M5 SHCS 316 SS	4
474-2300	HEAD/NECK PLATFORM ASSEMBLY	1
474-2115	FLEXION/EXTENSION STOP ASSY	1
474-2302	HEAD/NECK MOUNTING PLATFORM ASSY	1
474-2303	FRONT/REAR SPRING TUBE	2
474-2304	SPRING ASSEMBLY, REAR	1
474-2305	SPRING ASSEMBLY, FRONT	1
474-2306	SPRING LOAD CELL, S.R.	2
474-2308	REAR CABLE PULLEY ASSEMBLY	1
5000116-FT	SCREW FHCS M3 X 0.5 X 8	4
5000634-FT	WASHER FLAT M3 (3.2 X 7 X 0.5) 18-8 SS	2
5000764-FT	HEX NUT M2 X 4MM	1
5001395-FT*	SCREW SHSS M3 X 25 (TIGHT TOLERANCE)	1
5001410-FT	WASHER FLAT M3 (3.2 X 8.0 X 0.8)	2
472-2013	ROTARY POTENTIOMETER HOUSING, NECK	1
472-2014	ROTARY POTENTIOMETER COVER, NECK	1
472-2020	ROTARY POTENTIOMETER CLAMP, NECK	2
472-2021	ROTARY POTENTIOMETER WASHER, NECK	1
474-2340	PIN, OC	1
5000082-FT	SCREW SHCS M2 X 0.4 X 6	4
5000399-FT	SCREW BHCS M3 X 0.5 X 6 18-8 SS	2
5000515-FT	NUT HEX M5 X 0.8 ZINC	4
5001075-FT	SCREW BHCS M4 X 0.7 X 6	1
5001112-FT	SCREW SSCN M3X 0.5 X 3	1
5001313-FT	SCREW BHCS M3 X 0.5 X 35 SS	2

* Recommended spare part

Thorax Assembly



Thorax Assembly



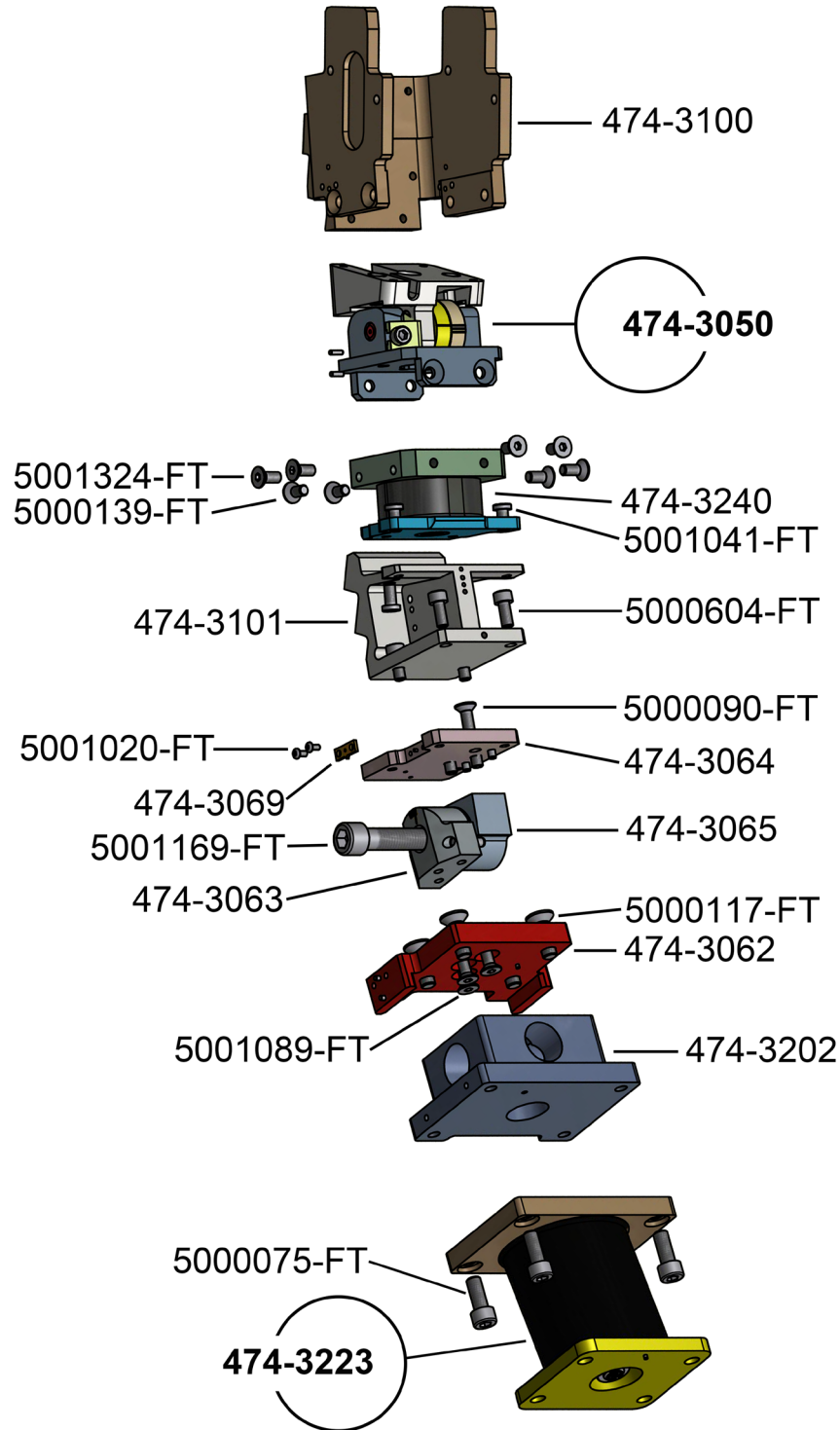
Thorax Assembly

Part Number	Description	Qty. Req'd Per Dummy
474-3000	UPPER TORSO ASSEMBLY, THOR 5TH	1
474-3200	SPINE ASSEMBLY, THOR 5TH	1
474-3301	RIB 1 ASSEMBLY, UNTESTED	1
472-3116	THOR LIFT STRAP	1
474-3001	SLICE STACK MOUNTING BRACKET, THORAX	2
474-3002	MOUNTING PLATE, SLICE DISTRIBUTOR	1
474-3003	BATTERY HOUSING	1
474-3004	BATTERY COVER	1
474-3005	STRUCTURAL REPLACEMENT, BATTERY PACK	1
474-3006	STRUCTURAL REPLACEMENT, SLICE DB	1
474-3025	LIFTING STRAP BRACKET	1
474-3038	TILT SENSOR MOUNT, THORAX	1
474-3040	ADAPTOR, RIB 1 TO STERNUM	1
474-3041	CLAVICLE-STERNUM ADAPTOR	2
474-3302	RIB 2 ASSEMBLY, UNTESTED	1
474-3303	RIB 3 ASSEMBLY, UNTESTED	1
474-3304	RIB 4 ASSEMBLY, UNTESTED	1
474-3305	RIB 5 ASSEMBLY, UNTESTED	1
474-3306	RIB 6 ASSEMBLY, UNTESTED	1
474-3307	RIB 7 ASSEMBLY, UNTESTED	1
474-3331	RIB STIFFENER, RIBS 1, 2, 3	3
474-3334	RIB STIFFENER, RIBS 4, 5, 6, 7	4
474-3382-1	ADAPTOR, RIB 2 TO STERNUM, LEFT	1
474-3382-2	ADAPTOR, RIB 2 TO STERNUM, RIGHT	1
474-3383-1	ADAPTOR, RIB 3 TO STERNUM / ITRACC, LEFT	1
474-3383-2	ADAPTOR, RIB 3 TO STERNUM / ITRACC, RIGHT	1
474-3384-1	ADAPTOR, RIB 4 TO STERNUM, LEFT	1
474-3384-2	ADAPTOR, RIB 4 TO STERNUM, RIGHT	1
474-3385-1	ADAPTOR, RIB 5 TO STERNUM, LEFT	1
474-3385-2	ADAPTOR, RIB 5 TO STERNUM, RIGHT	1
474-3386-1	ADAPTOR, RIB 6 TO STERNUM / ITRACC, LEFT	1
474-3386-2	ADAPTOR, RIB 6 TO STERNUM / ITRACC, RIGHT	1
474-3387-1	ADAPTOR, RIB 7 TO STERNUM, LEFT	1
474-3387-2	ADAPTOR, RIB 7 TO STERNUM, RIGHT	1
6002121	CABLE TIE, 3.5 x 280 (NOT SHOWN)	2
6003562	M6 FLAT WASHER PLAIN NYLON	4
474-3500-1	SHOULDER ASSEMBLY, LEFT	1
474-3500-2	SHOULDER ASSEMBLY, RIGHT	1
474-3559	SHOULDER PAD	1
474-3700	CHEST FLESH-STERNUM, MOLDED	1
474-8208	NANO SLICE STRUCTURAL REPLACEMENT (8 BRIDGE)	2
5000013-FT	M6 FLAT WASHER PLAIN ZINC	2
5000020-FT	M5 X 0.8 X 16 LG. SHCS	4
5000081-FT	M6 X 1 X 16 LG. SHCS	4

Thorax Assembly

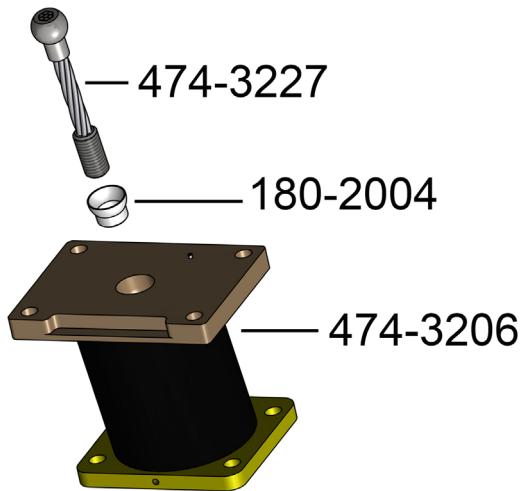
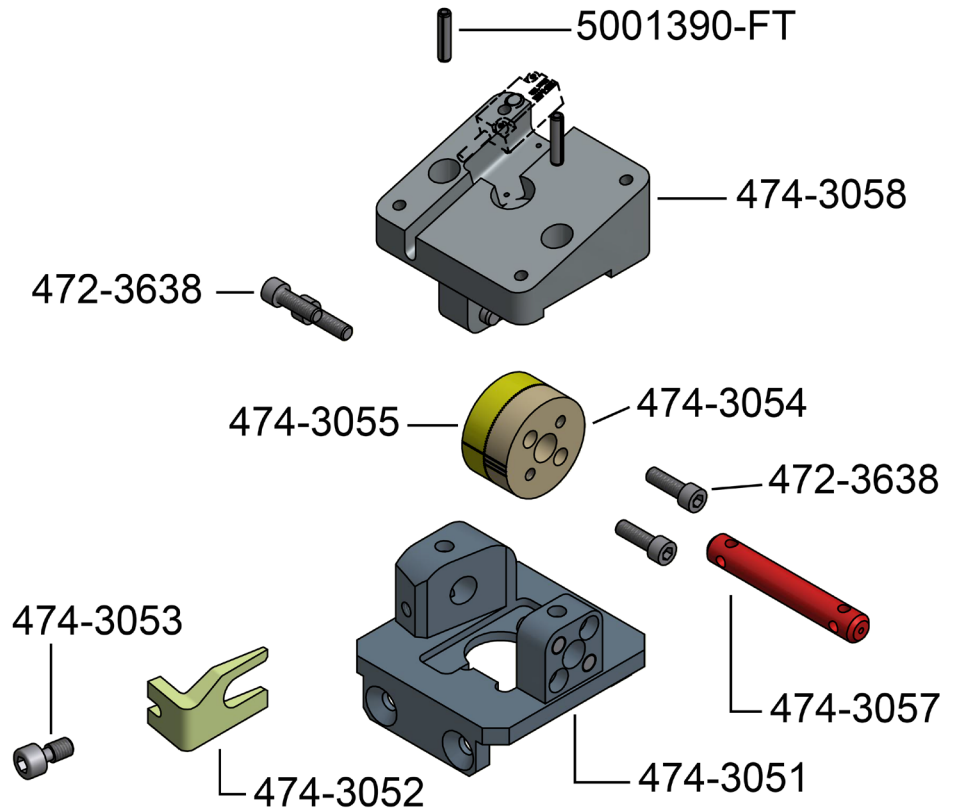
Part Number	Description	Qty. Req'd Per Dummy
5000093-FT	M6 X 1 HEX LOCK NUT ZINC	2
5000103-FT	M4 X 0.7 X 8 LG. BHCS	2
5000119-FT	M3 X 0.5 X 10 LG. SHCS	2
5000463-FT	M4 X 0.7 X 30 LG. SHCS	2
5000467-FT	M5 X 0.8 X 16 LG. FHCS	2
5000549-FT	M4 X 0.7 X 35 LG. SHCS SS	4
5000563-FT	M8 X 1.25 X 16 LG. BHCS SS	2
5000654-FT	M5 X 0.8 X 12 LG. BHCS	16
5001056-FT	M3 X 0.5 X 60 LG. SHCS ZINC	4
5001074-FT	M3 X 0.5 X 10 LG. BHCS	2
5001075-FT	M4 X 0.7 X 6 LG. BHCS	3
5001086-FT	M4 X 0.7 X 12 LG. FHCS	2
5001278-FT	M5 X 0.8 X 8 LG. BHCS	24
5001411-FT	M5 X 0.8 X 14 LG. BHCS	2

Spine Assembly (474-3200)

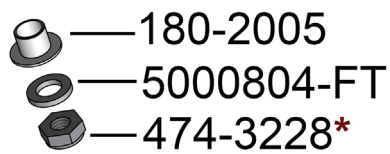


Spine Assembly

[474-3050]



[474-3223]



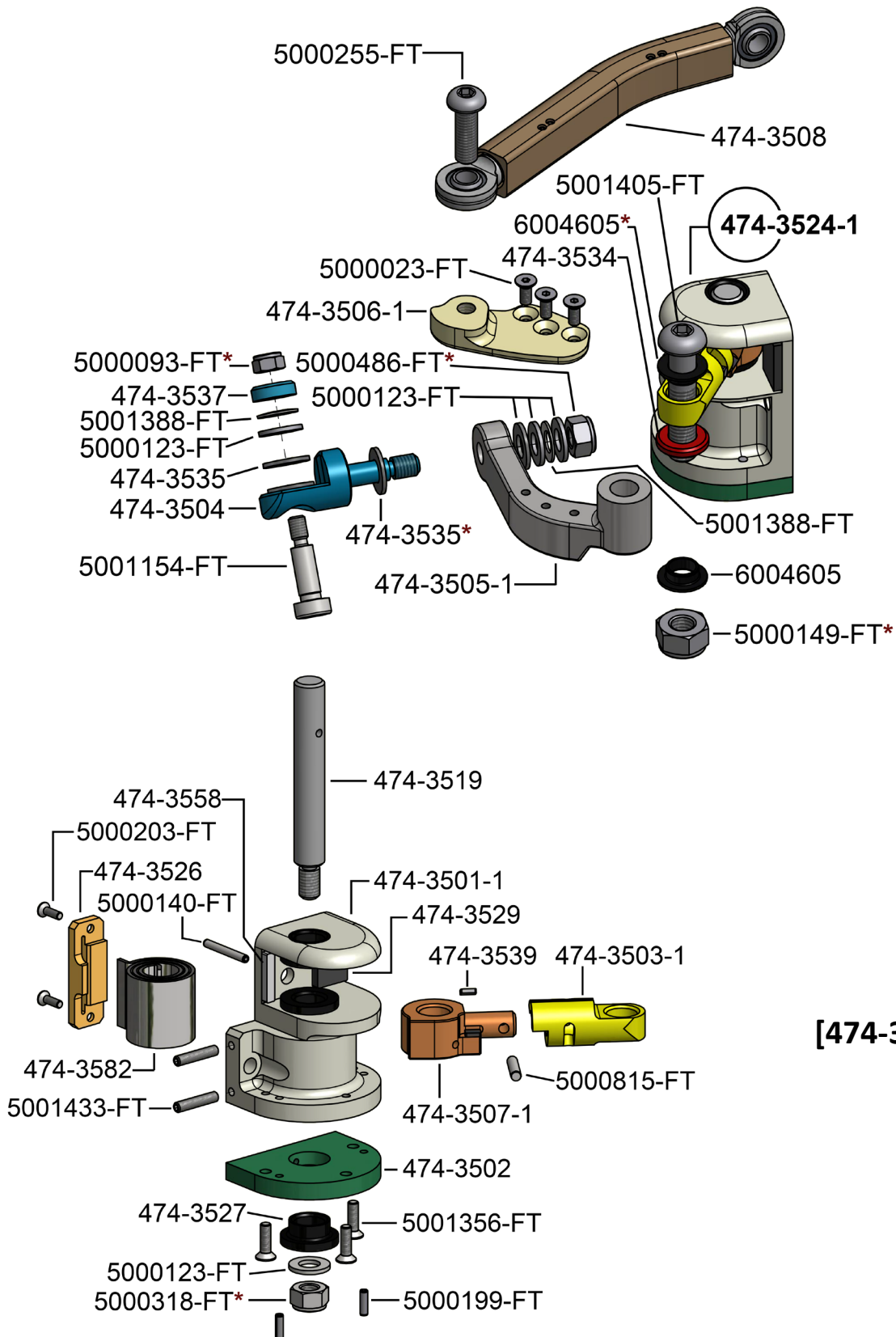
* Recommended spare part

Spine Assembly

Part Number	Description	Qty. Req'd Per Dummy
474-3000	UPPER TORSO ASSEMBLY, THOR 5TH	1
474-3200	SPINE ASSEMBLY, THOR 5TH	1
474-3050	NECK POSTURE ADJUSTMENT ASSEMBLY	1
474-3062	BASE PLATE, LUMBAR POSTURE ADJUSTMENT	1
474-3064	SPINEBOX INTERFACE PLATE, LUMBAR POSTURE ADJUST	1
474-3068	LUMBAR POSTURE GEAR ASSEMBLY	1
474-3069	LUMBAR SPINE PITCH CHANGE INDICATOR	1
474-3100	UPPER SPINE BOX	1
474-3101	LOWER SPINE BOX ASSEMBLY	1
474-3202	STRUCTURAL REPLACEMENT, THORACIC SPINE LOAD CELL	1
474-3240	UPPER SPINE ASSEMBLY	1
5000075-FT	M8 X 1.25 X 20 LG. SHCS	4
5000090-FT	M6 X 1 X 16 LG. FHCS	3
5000117-FT	M8 X 1.25 X 25 LG. FHCS	4
5000139-FT	M6 X 1 X 12 LG. FHCS	4
5000604-FT	M6 X 1 X 14 LG. SHCS	4
5001020-FT	M3 X 0.5 X 6 LG. BHCS	2
5001041-FT	M6 X 1 X 12 LG. LHCS	4
5001089-FT	M6 X 1 X 20 LG. FHCS	3
5001169-FT	M12 X 1.75 X 45 LG. SHCS	1
5001324-FT	M6 X 1 X 14 LG. FHCS	4
474-3050	NECK POSTURE ADJUSTMENT ASSEMBLY	1
472-3638	M5 NECK PITCH CHANGE SCREW	4
474-3051	BASE PLATE, NECK POSTURE ADJUSTMENT	1
474-3052	ADJUSTMENT WEDGE	1
474-3053	MODIFIED M6 X 1 X 12 LG. SHCS	1
474-3057	NECK ADJUSTMENT PIVOT PIN	1
474-3058	NECK INTERFACE PLATE, NECK POSTURE ADJUSTMENT	1
474-3059	NECK POSTURE GEAR ASSEMBLY	1
5001390-FT	M4 X 18 LG. ROLL PIN	2
474-3223	LUMBAR ASSEMBLY	1
180-2004	BUSHING, UPPER NECK	1
180-2005	BUSHING, NECK LOWER	1
474-3206	LUMBAR, MOLDED	1
474-3227	LUMBAR CABLE	1
474-3228*	M12 HEX LOCK NUT, MODIFIED	1
5000804-FT	M12 FLAT WASHER THICK SS	1

* Recommended spare part

Shoulder Assembly Left



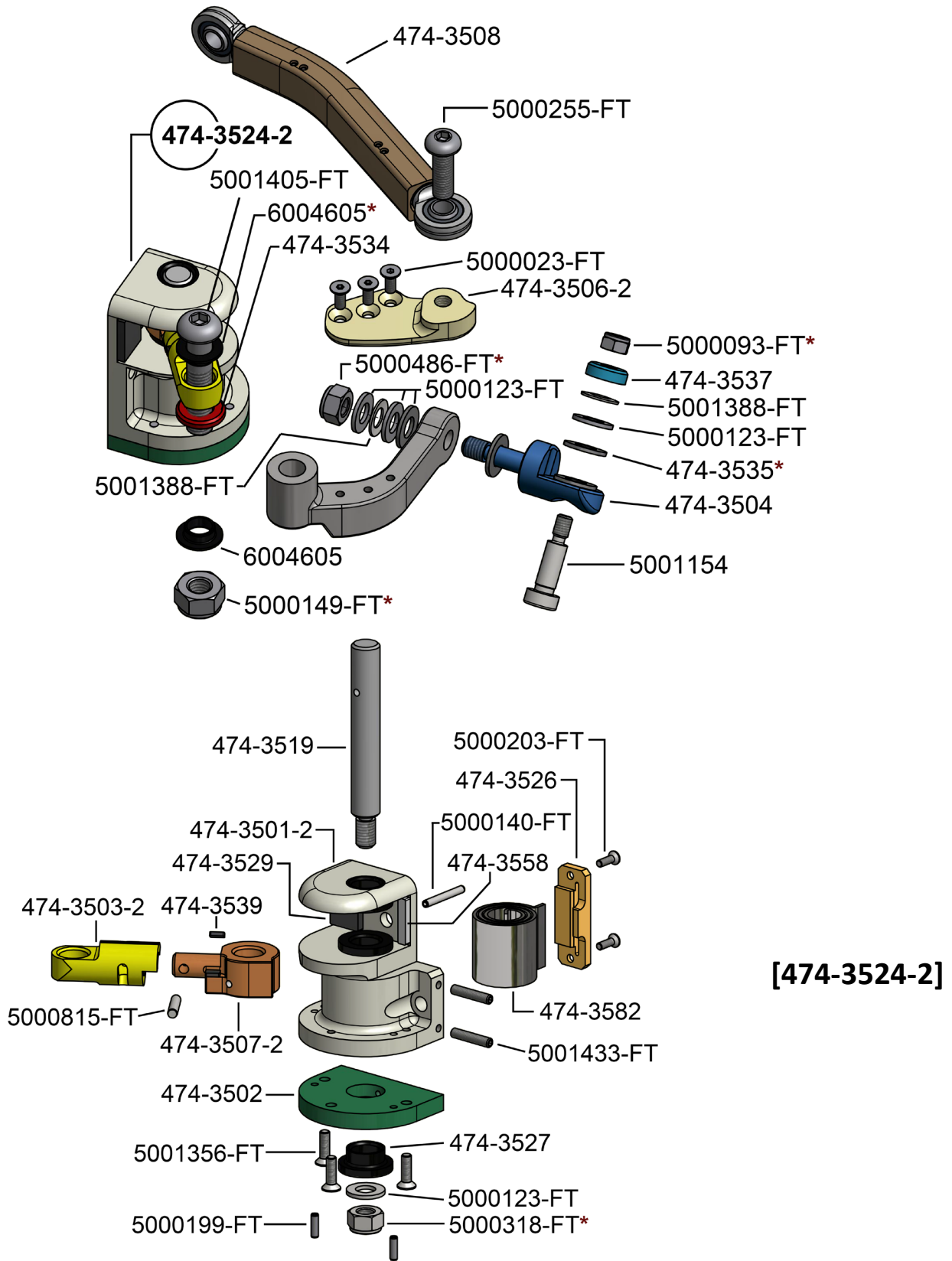
* Recommended spare part

Shoulder Assembly Left

Part Number	Description	Qty. Req'd Per Dummy
474-3000	UPPER TORSO ASSEMBLY, THOR 5TH	1
474-3500-1	SHOULDER ASSEMBLY, LEFT	1
474-3504	SHOULDER CLEVIS	1
474-3505-1	LOWER SCAPULA, LEFT	1
474-3506-1	UPPER SCAPULA, LEFT	1
474-3508	CLAVICLE ASSEMBLY	1
474-3534	SPACER WASHER, M10, NYLON	1
474-3535*	FRICITION WASHER	4
474-3537	SHOULDER WASHER, THICK	1
5000023-FT	M4 X 0.7 X 10 LG. FHCS	3
5000093-FT*	M6 X 1 HEX LOCK NUT ZINC	1
5000123-FT	M8 FLAT WASHER PLAIN ZINC	3
5000149-FT*	M10 X 1.5 HEX LOCK NUT ZINC	1
5000255-FT	M8 X 1.25 X 25 LG. BHCS	1
5000486-FT*	M8 X 1.25 HEX LOCK NUT ZINC	1
5001154-FT	M8 X 20 LG. SHSS	1
5001388-FT	WASHER BELLEVILLE M8 (8.2 X 15 X 0.8)	2
5001405-FT	M10 X 1.5 X 50 LG. BHCS SS	1
6004605*	BEARING, FLANGE 12mm OD X 10mm ID X 5mm LG	2
474-3524-1	SPINE-SHOULDER COUPLER ASSEMBLY, LEFT	1
474-3501-1	SPINE-SHOULDER COUPLER, TOP, LEFT	1
474-3502	SPINE-SHOULDER COUPLER, BOTTOM	1
474-3503-1	SCAPULA LINK, LEFT	1
474-3507-1	CLEVIS, LEFT SCAPULA LINK	1
474-3519	PIN, SPRING TENSION	1
474-3526	SPRING RETAINER	1
474-3527	SHAFT SLEEVE	3
474-3529	REAR SHOULDER STOP	1
474-3539	SCAPULA LINK BUMPER	2
474-3558	FRONT SHOULDER STOP	1
474-3582	SPRING, SHOULDER	1
5000123-FT	M8 FLAT WASHER PLAIN ZINC	1
5000140-FT	M3 X 24 LG. ROLL PIN	1
5000199-FT	M3 X 10 LG. ROLL PIN SS	2
5000203-FT	M3 X 0.5 X 10 LG. FHCS	2
5000318-FT*	M8 X 1.25 HEX LOCK NUT SS	1
5000815-FT	M4 X 18 LG. DOWEL PIN	1
5001356-FT	M4 X 0.7 X 14 LG. FHCS SS	3
5001433-FT	M4 X 0.7 X 20 LG. SSSFP SS	2

* Recommended spare part

Shoulder Assembly Right



[474-3524-2]

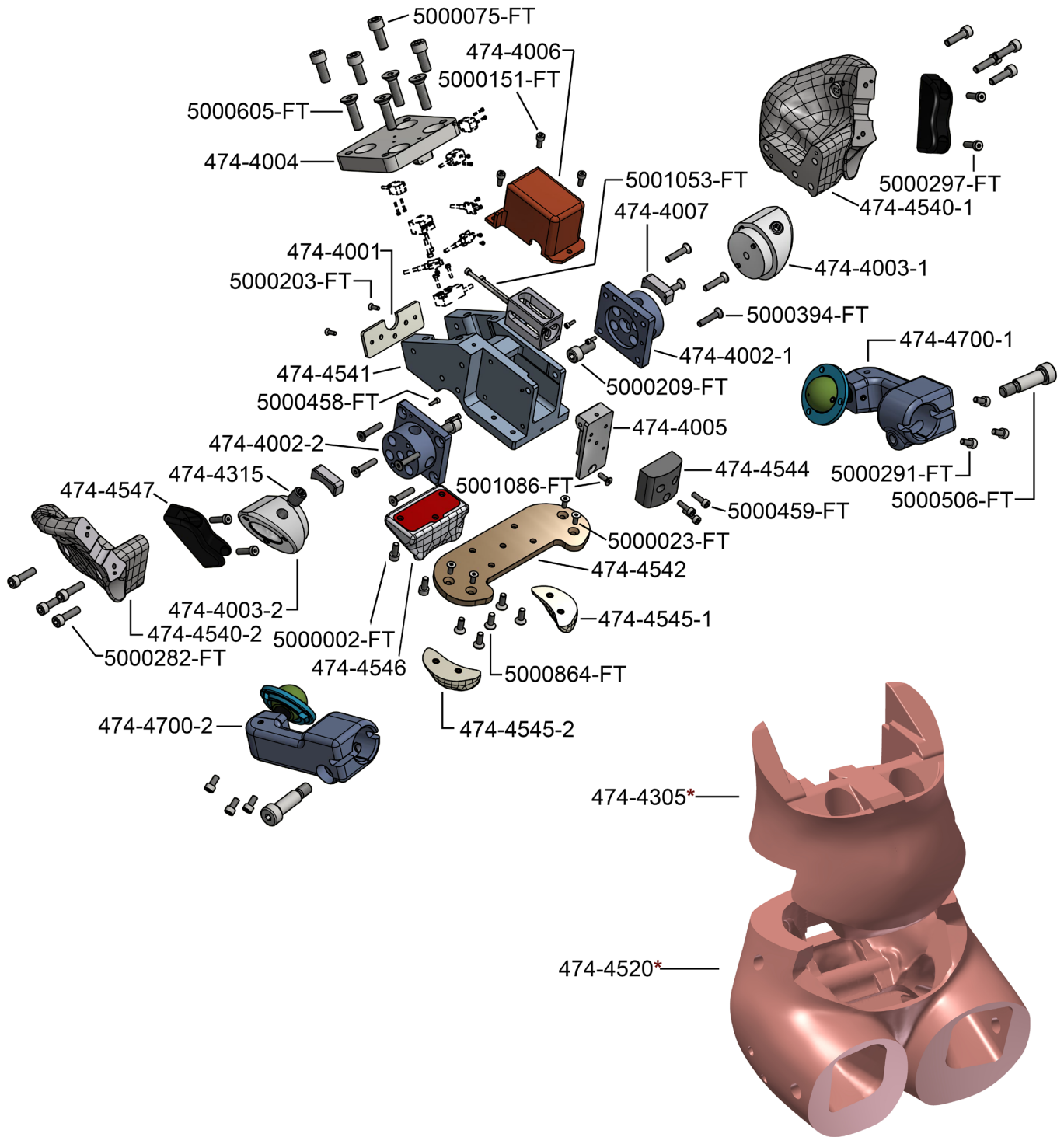
* Recommended spare part

Shoulder Assembly Right

Part Number	Description	Qty. Req'd Per Dummy
474-3000	UPPER TORSO ASSEMBLY, THOR 5TH	1
474-3500-2	SHOULDER ASSEMBLY, RIGHT	1
474-3504	SHOULDER CLEVIS	1
474-3505-2	LOWER SCAPULA, RIGHT	1
474-3506-2	UPPER SCAPULA, RIGHT	1
474-3508	CLAVICLE ASSEMBLY	1
474-3534	SPACER WASHER, M10, NYLON	1
474-3535*	FRICITION WASHER	4
474-3537	SHOULDER WASHER, THICK	1
5000023-FT	M4 X 0.7 X 10 LG. FHCS	3
5000093-FT*	M6 X 1 HEX LOCK NUT ZINC	1
5000123-FT	M8 FLAT WASHER PLAIN ZINC	3
5000149-FT*	M10 X 1.5 HEX LOCK NUT ZINC	1
5000255-FT	M8 X 1.25 X 25 LG. BHCS	1
5000486-FT*	M8 X 1.25 HEX LOCK NUT ZINC	1
5001154-FT	M8 X 20 LG. SHSS	1
5001388-FT	WASHER BELLEVILLE M8 (8.2 X 15 X 0.8)	2
5001405-FT	M10 X 1.5 X 50 LG. BHCS SS	1
6004605*	BEARING, FLANGE 12mm OD X 10mm ID X 5mm LG	2
474-3524-2	SPINE-SHOULDER COUPLER ASSEMBLY, RIGHT	1
474-3501-2	SPINE-SHOULDER COUPLER, TOP, RIGHT	1
474-3502	SPINE-SHOULDER COUPLER, BOTTOM	1
474-3503-2	SCAPULA LINK, RIGHT	1
474-3507-2	CLEVIS, RIGHT SCAPULA LINK	1
474-3519	PIN, SPRING TENSION	1
474-3526	SPRING RETAINER	1
474-3527	SHAFT SLEEVE	3
474-3529	REAR SHOULDER STOP	1
474-3539	SCAPULA LINK BUMPER	2
474-3558	FRONT SHOULDER STOP	1
474-3582	SPRING, SHOULDER	1
5000123-FT	M8 FLAT WASHER PLAIN ZINC	1
5000140-FT	M3 X 24 LG. ROLL PIN	1
5000199-FT	M3 X 10 LG. ROLL PIN SS	2
5000203-FT	M3 X 0.5 X 10 LG. FHCS	2
5000318-FT*	M8 X 1.25 HEX LOCK NUT SS	1
5000815-FT	M4 X 18 LG. DOWEL PIN	1
5001356-FT	M4 X 0.7 X 14 LG. FHCS SS	3
5001433-FT	M4 X 0.7 X 20 LG. SSSFP SS	2

* Recommended spare part

Pelvis Assembly



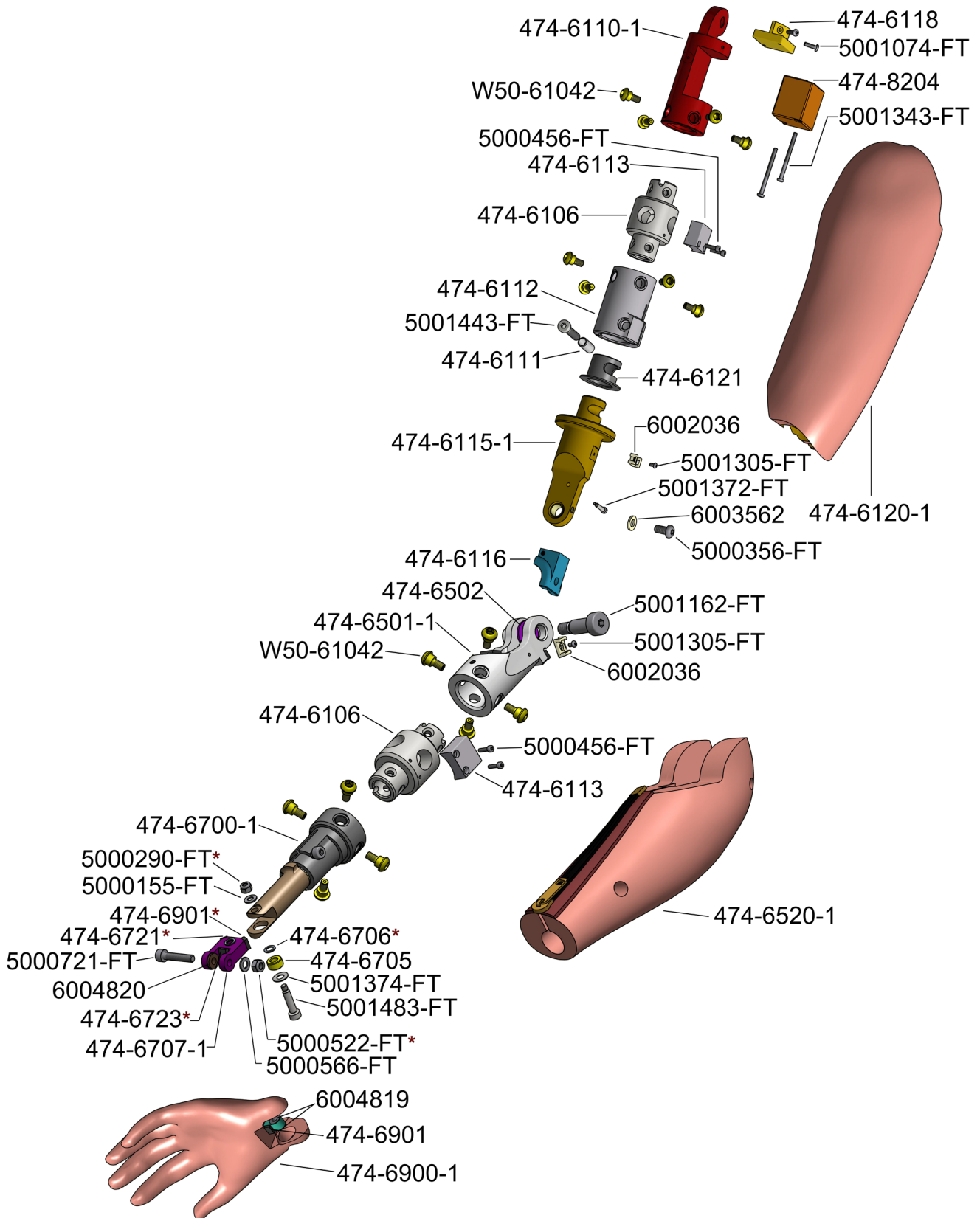
* Recommended spare part

Pelvis Assembly

Part Number	Description	Qty. Req'd Per Dummy
474-4000	PELVIS ASSEMBLY, THOR 5TH	1
474-4001	COVER, REAR PELVIC INSTRUMENTATION	1
474-4002-1	STRUCTURAL REPLACEMENT, LEFT ACETABULAR LOAD CELL	1
474-4002-2	STRUCTURAL REPLACEMENT, RIGHT ACETABULAR LOAD CELL	1
474-4003-1	FEMUR MOUNTING SOCKET, LEFT	1
474-4003-2	FEMUR MOUNTING SOCKET, RIGHT	1
474-4004	PLATE, UPPER TORSO TO PELVIS ADAPTOR	1
474-4005	SLICE STACK MOUNTING PLATE, PELVIS	1
474-4006	CABLE COVER, PELVIS	1
474-4007	STRUCTURAL REPL, ACETABULUM LOAD CELL STRAIN RELIEF	2
474-4305*	ABDOMEN	1
474-4315	PELVIC PLUNGER ASSEMBLY	2
474-4520*	PELVIS FLESH	1
474-4540-1	ILIAC WING, MACHINED, LEFT	1
474-4540-2	ILIAC WING, MACHINED, RIGHT	1
474-4541	PELVIC BONE, CENTER	1
474-4542	PLATE, ISCHIUM BONE MOUNT	1
474-4544	PUBIC BONE	1
474-4545-1	ISCHIUM BONE, MOLDED, LEFT	1
474-4545-2	ISCHIUM BONE, MOLDED, RIGHT	1
474-4546	COCCYX, MOLDED	1
474-4547	STRUCTURAL REPLACEMENT, ASIS LOAD CELL	2
474-4700-1	FEMUR ASSEMBLY, LEFT	1
474-4700-2	FEMUR ASSEMBLY, RIGHT	1
474-8206	NANO SLICE STRUCTURAL REPLACEMENT (6 BRIDGE)	1
5000002-FT	M5 X 0.8 X 12 LG. SHCS	3
5000023-FT	M4 X 0.7 X 10 LG. FHCS	4
5000075-FT	M8 X 1.25 X 20 LG. SHCS	4
5000151-FT	M4 X 0.7 X 10 LG. SHCS	3
5000203-FT	M3 X 0.5 X 10 LG. FHCS	2
5000209-FT	M8 X 1.25 X 18 LG. SHCS	2
5000282-FT	M6 X 1 X 22 LG. SHCS	8
5000291-FT	M5 X 0.8 X 10 LG. SHCS	6
5000297-FT	M5 X 0.8 X 18 LG. LHCS	4
5000394-FT	M5 X 0.8 X 25 LG. FHCS	8
5000458-FT	M2.5 X 0.45 X 8 LG. SHCS	4
5000459-FT	M4 X 0.7 X 14 LG. SHCS	3
5000506-FT	M12 X 30 LG. SHSS	2
5000605-FT	M8 X 1.25 X 30 LG. FHCS	4
5000864-FT	M5 X 0.8 X 14 LG. FHCS	5
5001053-FT	M3 X 0.5 X 50 LG. SHCS	2
5001086-FT	M4 X 0.7 X 12 LG. FHCS	1

* Recommended spare part

Arm Assembly Left



* Recommended spare part

Arm Assembly Left

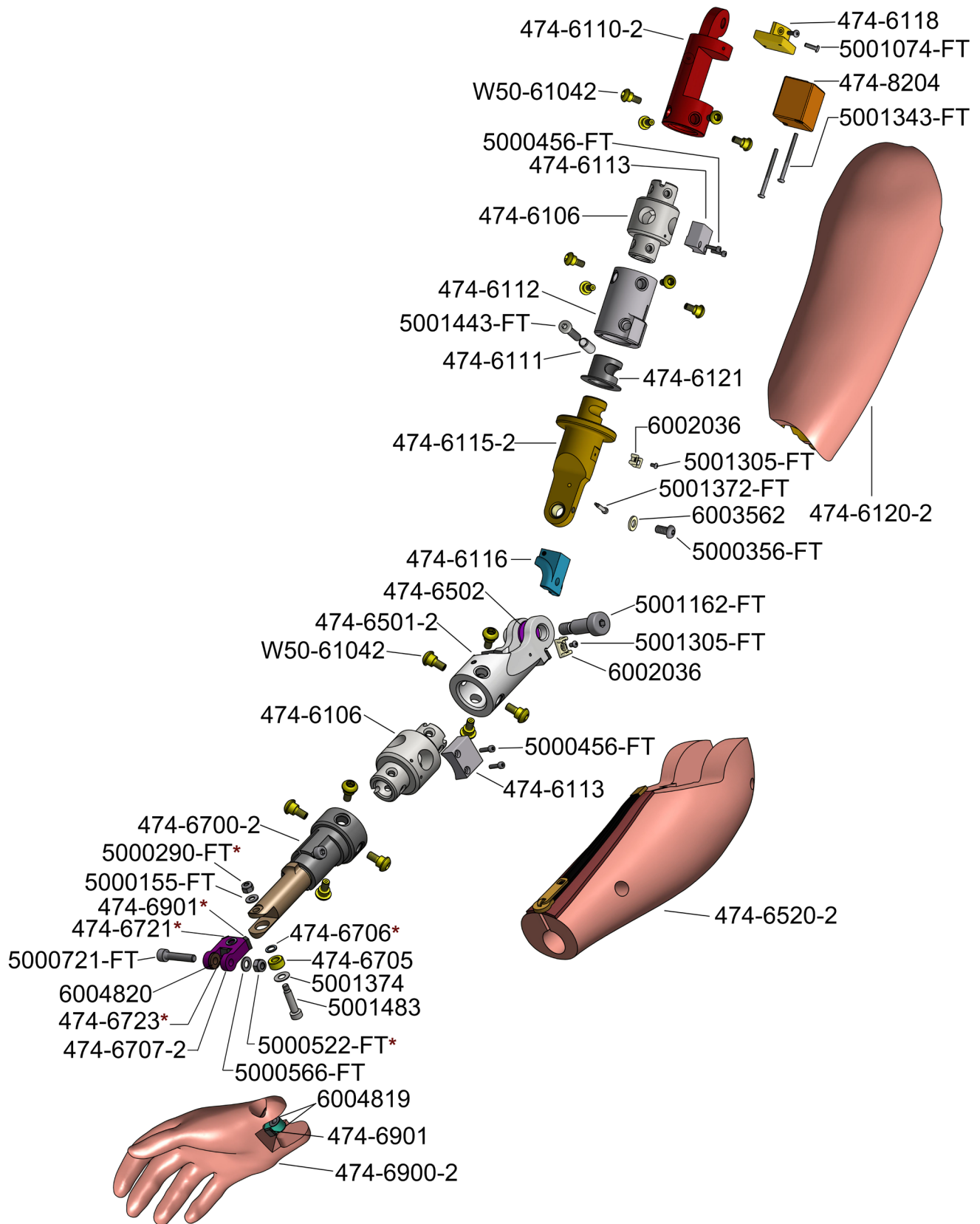
Part Number	Description	Qty. Req'd Per Dummy
474-6000-1	ARM ASSEMBLY LEFT, THOR 5TH	1
474-6100-1	UPPER ARM ASSEMBLY, LEFT	1
474-6106	STRUCTURAL REPLACEMENT, UPPER-LOWER ARM LOAD CELL	1
474-6110-1	DISTAL UPPER ARM TUBE, LEFT	1
474-6111	SLEEVE, ARM BOLT	1
474-6112	UPPER ARM LOAD CELL ADAPTER	1
474-6113	STRUCTURAL REPLACEMENT, CONNECTOR BLOCK	1
474-6115-1	DISTAL UPPER ARM TUBE ASSEMBLY, LEFT	1
474-6116	ELBOW FRICTION PLATE	1
474-6118	UPPER ARM SLICE STACK BRACKET	1
474-6120-1	UPPER ARM FLESH, LEFT	1
474-6121	ARM ROTATION BRUSHING	1
474-8204	NANO SLICE STRUCTURAL REPLACEMENT (4 BRIDGE)	1
5000356-FT	M6 X 1 X 12 LG. BHCS	1
5000456-FT	M2.5 X 0.45 X 10 LG. SHCS	2
5001074-FT	M3 X 0.5 X 10 LG. BHCS	2
5001305-FT	M2.5 X 0.45 X 4 LG. BHCS	1
5001343-FT	M3 X 0.5 X 40 LG. BHCS SS	2
5001372-FT	3 X 14 LG. PREC. SHSS SS	1
5001443-FT	M6 X 1 X 30 LG. LHCS	1
6002036	CABLE TIE MOUNT, #4 SCREW	1
6003562	M6 FLAT WASHER PLAIN NYLON	1
W50-61042	MODIFIED BHSS M6 THREAD	8
474-6500-1	LOWER ARM ASSEMBLY, LEFT	1
474-6106	STRUCTURAL REPLACEMENT, UPPER-LOWER ARM LOAD CELL	1
474-6113	STRUCTURAL REPLACEMENT, CONNECTOR BLOCK	1
474-6501-1	PROXIMAL LOWER ARM TUBE, LEFT	1
474-6502	WASHER, UPPER-LOWER ARM	1
474-6520-1	LOWER ARM FLESH, LEFT	1
474-6700-1	LOWER ARM AND WRIST ASSEMBLY, LEFT	1
474-6705	WRIST INSERT	1
474-6706*	WRIST WASHER	2
474-6707-1	WRIST ROTATOR CLEVIS, LEFT	1
5000155-FT	M4 FLAT WASHER PLAIN ZINC	1
5000290-FT*	M4 X 0.7 HEX LOCK NUT ZINC	1
5000456-FT	M2.5 X 0.45 X 10 LG. SHCS	2
5000522-FT*	M5 X 0.8 HEX LOCK NUT ZINC	1
5000566-FT	M5 FLAT WASHER PLAIN ZINC	1
5000721-FT	M5 X 0.8 X 25 LG. SHCS	1
5001162-FT	M10 X 20 LG. SHSS	1
5001305-FT	M2.5 X 0.45 X 4 LG. BHCS	1
5001374-FT	M5 WAVE WASHER SS	1
5001483-FT	M5 X 18 LG. SHSS SS	1
6002036	CABLE TIE MOUNT, #4 SCREW	1
6004820	BEARING, FLANGED 8mm OD X 5mm ID X 5mm LG	1
W50-61042	MODIFIED BHSS M6 THREAD	8

Arm Assembly Left

Part Number	Description	Qty. Req'd Per Dummy
474-6900-1	HAND, MOLDED, LEFT	1
474-6721*	WRIST BUMPER - RADIUS	1
474-6723*	WRIST BUMPER - EXTENSION	1
474-6901*	WRIST BUMPER	1
474-6912	HAND BONE	1
6004819	BEARING, FLANGED 6mm OD X 5mm ID X 3.5mm LG	2

* Recommended spare part

Arm Assembly Right



* Recommended spare part

Arm Assembly Right

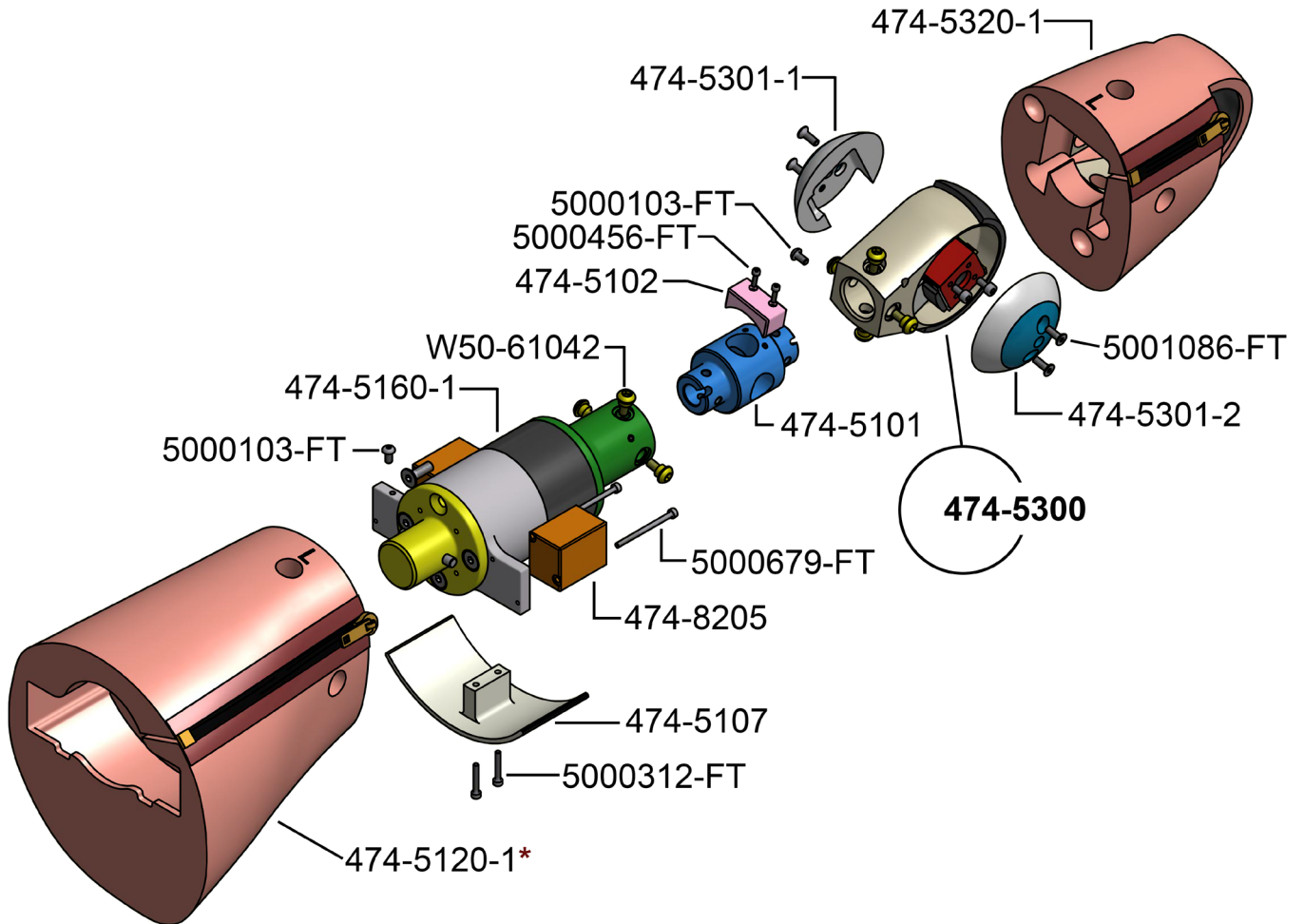
Part Number	Description	Qty. Req'd Per Dummy
474-6000-2	ARM ASSEMBLY RIGHT, THOR 5TH	1
474-6100-2	UPPER ARM ASSEMBLY, RIGHT	1
474-6106	STRUCTURAL REPLACEMENT, UPPER-LOWER ARM LOAD CELL	1
474-6110-2	DISTAL UPPER ARM TUBE, RIGHT	1
474-6111	SLEEVE, ARM BOLT	1
474-6112	UPPER ARM LOAD CELL ADAPTER	1
474-6113	STRUCTURAL REPLACEMENT, CONNECTOR BLOCK	1
474-6115-2	DISTAL UPPER ARM TUBE ASSEMBLY, RIGHT	1
474-6116	ELBOW FRICTION PLATE	1
474-6118	UPPER ARM SLICE STACK BRACKET	1
474-6120-2	UPPER ARM FLESH, RIGHT	1
474-6121	ARM ROTATION BRUSHING	1
474-8204	NANO SLICE STRUCTURAL REPLACEMENT (4 BRIDGE)	1
5000356-FT	M6 X 1 X 12 LG. BHCS	1
5000456-FT	M2.5 X 0.45 X 10 LG. SHCS	2
5001074-FT	M3 X 0.5 X 10 LG. BHCS	2
5001305-FT	M2.5 X 0.45 X 4 LG. BHCS	1
5001343-FT	M3 X 0.5 X 40 LG. BHCS SS	2
5001372-FT	3 X 14 LG. PREC. SHSS SS	1
5001443-FT	M6 X 1 X 30 LG. LHCS	1
6002036	CABLE TIE MOUNT, #4 SCREW	1
6003562	M6 FLAT WASHER PLAIN NYLON	1
W50-61042	MODIFIED BHSS M6 THREAD	8
474-6500-2	LOWER ARM ASSEMBLY, RIGHT	1
474-6106	STRUCTURAL REPLACEMENT, UPPER-LOWER ARM LOAD CELL	1
474-6113	STRUCTURAL REPLACEMENT, CONNECTOR BLOCK	1
474-6501-2	PROXIMAL LOWER ARM TUBE, RIGHT	1
474-6502	WASHER, UPPER-LOWER ARM	1
474-6520-2	LOWER ARM FLESH, RIGHT	1
474-6700-2	LOWER ARM AND WRIST ASSEMBLY, RIGHT	1
474-6705	WRIST INSERT	1
474-6706*	WRIST WASHER	2
474-6707-2	WRIST ROTATOR CLEVIS, RIGHT	1
5000155-FT	M4 FLAT WASHER PLAIN ZINC	1
5000290-FT*	M4 X 0.7 HEX LOCK NUT ZINC	1
5000456-FT	M2.5 X 0.45 X 10 LG. SHCS	2
5000522-FT*	M5 X 0.8 HEX LOCK NUT ZINC	1
5000566-FT	M5 FLAT WASHER PLAIN ZINC	1
5000721-FT	M5 X 0.8 X 25 LG. SHCS	1
5001162-FT	M10 X 20 LG. SHSS	1
5001305-FT	M2.5 X 0.45 X 4 LG. BHCS	1
5001374-FT	M5 WAVE WASHER SS	1
5001483-FT	M5 X 18 LG. SHSS SS	1
6002036	CABLE TIE MOUNT, #4 SCREW	1
6004820	BEARING, FLANGED 8mm OD X 5mm ID X 5mm LG	1
W50-61042	MODIFIED BHSS M6 THREAD	8

Arm Assembly Right

Part Number	Description	Qty. Req'd Per Dummy
474-6900-2	HAND, MOLDED, RIGHT	1
474-6721*	WRIST BUMPER - RADIUS	1
474-6723*	WRIST BUMPER - EXTENSION	1
474-6901*	WRIST BUMPER	1
474-6912	HAND BONE	1
6004819	BEARING, FLANGED 6mm OD X 5mm ID X 3.5mm LG	2

* Recommended spare part

Upper Leg Assembly Left



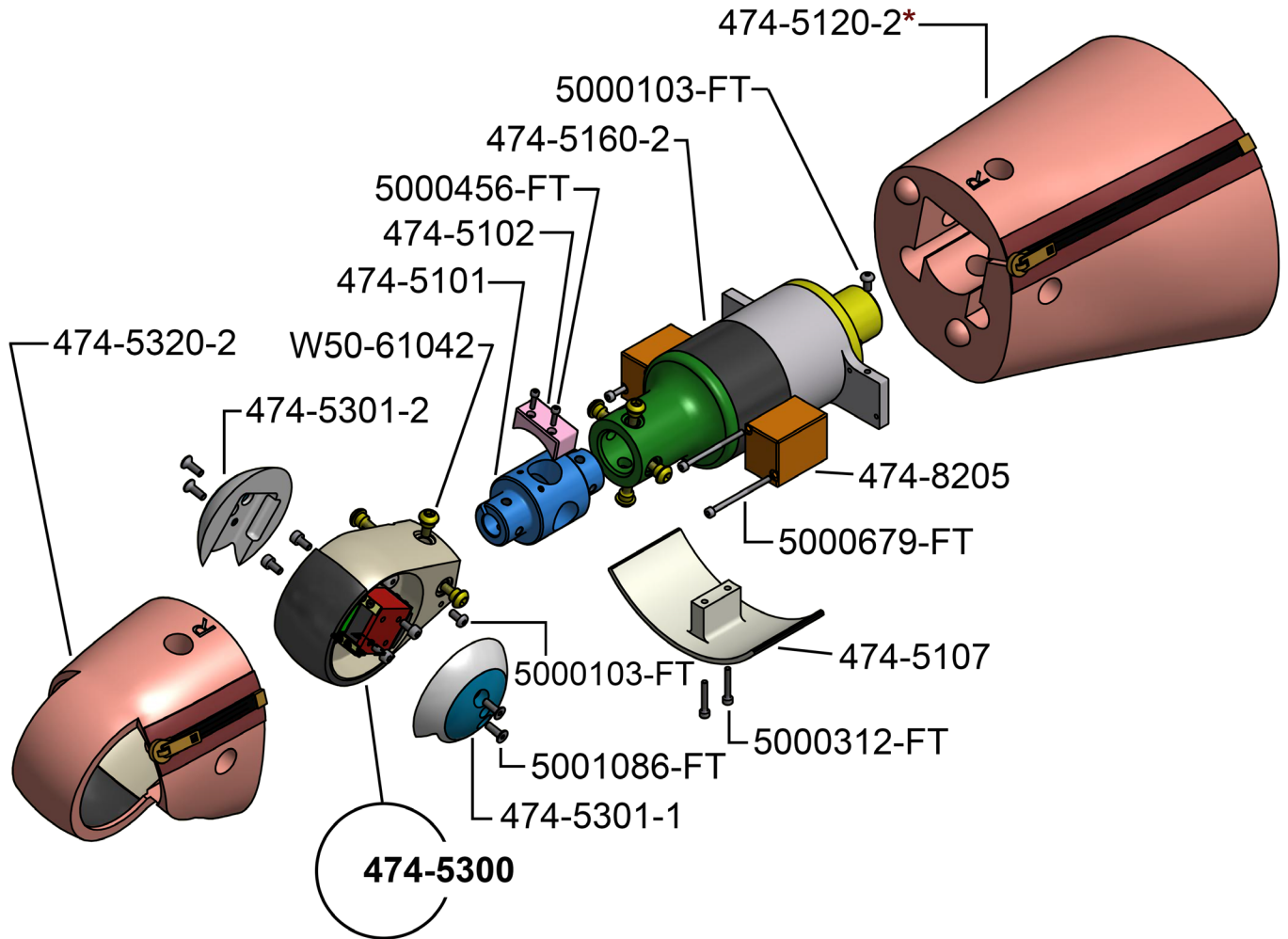
* Recommended spare part

Upper Leg Assembly Left

Part Number	Description	Qty. Req'd Per Dummy
474-5000-1	LEG ASSEMBLY LEFT, THOR 5TH	1
474-5100-1	UPPER LEG ASSEMBLY, LEFT	1
474-5101	STRUCTURAL REPL, FEMUR LOAD CELL	1
474-5102	STRUCTURAL REPL, FEMUR LOAD CELL STRAIN RELIEF	1
474-5107	CABLE CONNECTOR GUARD	1
474-5120-1*	UPPER LEG FLESH, LEFT	1
474-5160-1	UPPER LEG ASSEMBLY, LEFT	1
474-8205	NANO SLICE STRUCTURAL REPLACEMENT (5 BRIDGE)	2
5000456-FT	M2.5 X 0.45 X 10 LG. SHCS	2
5000679-FT	M3 X 0.5 X 45 LG. SHCS SS	4
W50-61042	MODIFIED BHSS M6 THREAD	8
474-5300	KNEE ASSEMBLY	1
474-5301-1	KNEE COVER, INBOARD / OUTBOARD	1
474-5301-2	KNEE COVER, INBOARD / OUTBOARD	1
474-5320-1	KNEE FLESH, LEFT	1
5000103-FT	M4 X 0.7 X 8 LG. BHCS	2
5000312-FT	M3 X 0.5 X 20 LG. SHCS	2
5000989-FT	M4 X 0.7 X 8 LG. SHCS	4
5001086-FT	M4 X 0.7 X 12 LG. FHCS	4

* Recommended spare part

Upper Leg Assembly Right



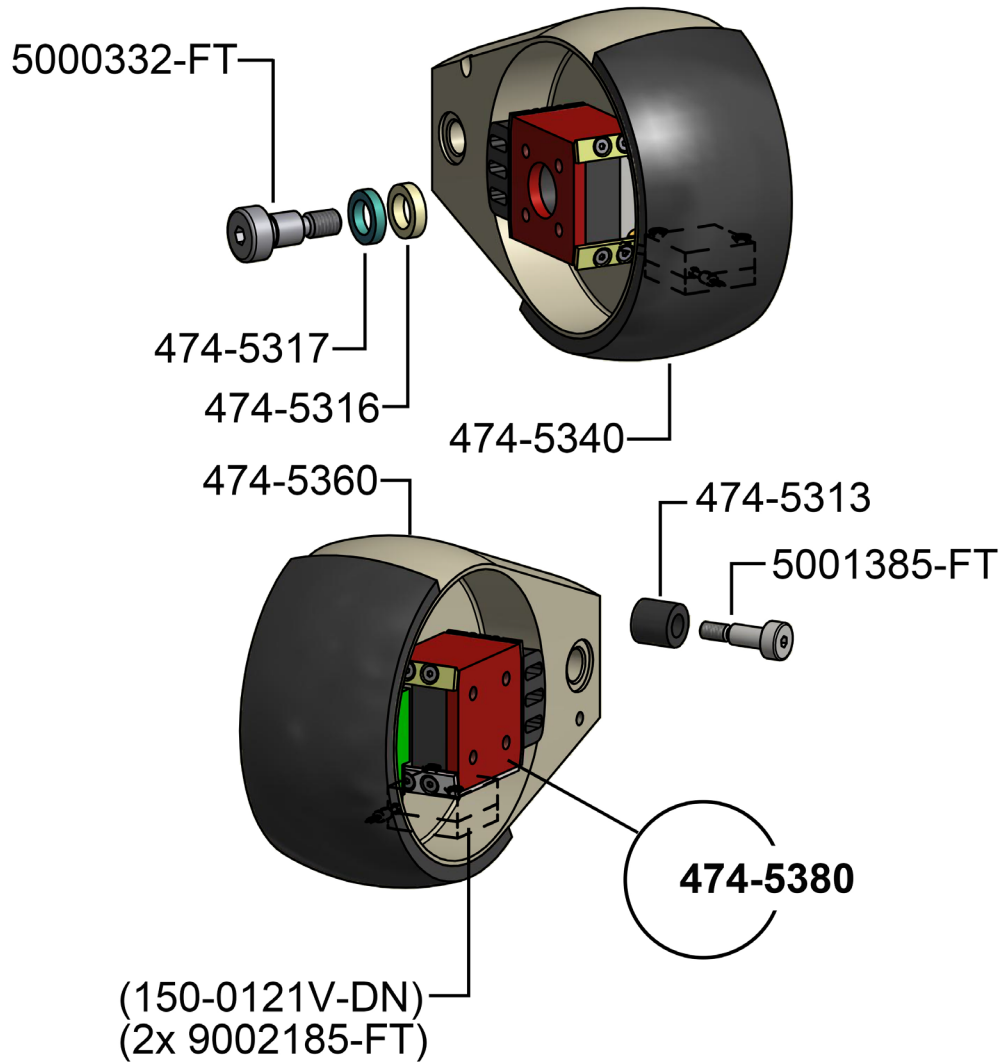
* Recommended spare part

Upper Leg Assembly Right

Part Number	Description	Qty. Req'd Per Dummy
474-5000-2	LEG ASSEMBLY RIGHT, THOR 5TH	1
474-5100-2	UPPER LEG ASSEMBLY, RIGHT	1
474-5101	STRUCTURAL REPL, FEMUR LOAD CELL	1
474-5102	STRUCTURAL REPL, FEMUR LOAD CELL STRAIN RELIEF	1
474-5107	CABLE CONNECTOR GUARD	1
474-5120-2*	UPPER LEG FLESH, RIGHT	1
474-5160-2	UPPER LEG ASSEMBLY, RIGHT	1
474-8205	NANO SLICE STRUCTURAL REPLACEMENT (5 BRIDGE)	2
5000456-FT	M2.5 X 0.45 X 10 LG. SHCS	2
5000679-FT	M3 X 0.5 X 45 LG. SHCS SS	4
W50-61042	MODIFIED BHSS M6 THREAD	8
474-5300	KNEE ASSEMBLY	1
474-5301-1	KNEE COVER, INBOARD / OUTBOARD	1
474-5301-2	KNEE COVER, INBOARD / OUTBOARD	1
474-5320-2	KNEE FLESH, RIGHT	1
5000103-FT	M4 X 0.7 X 8 LG. BHCS	2
5000312-FT	M3 X 0.5 X 20 LG. SHCS	2
5000989-FT	M4 X 0.7 X 8 LG. SHCS	4
5001086-FT	M4 X 0.7 X 12 LG. FHCS	4

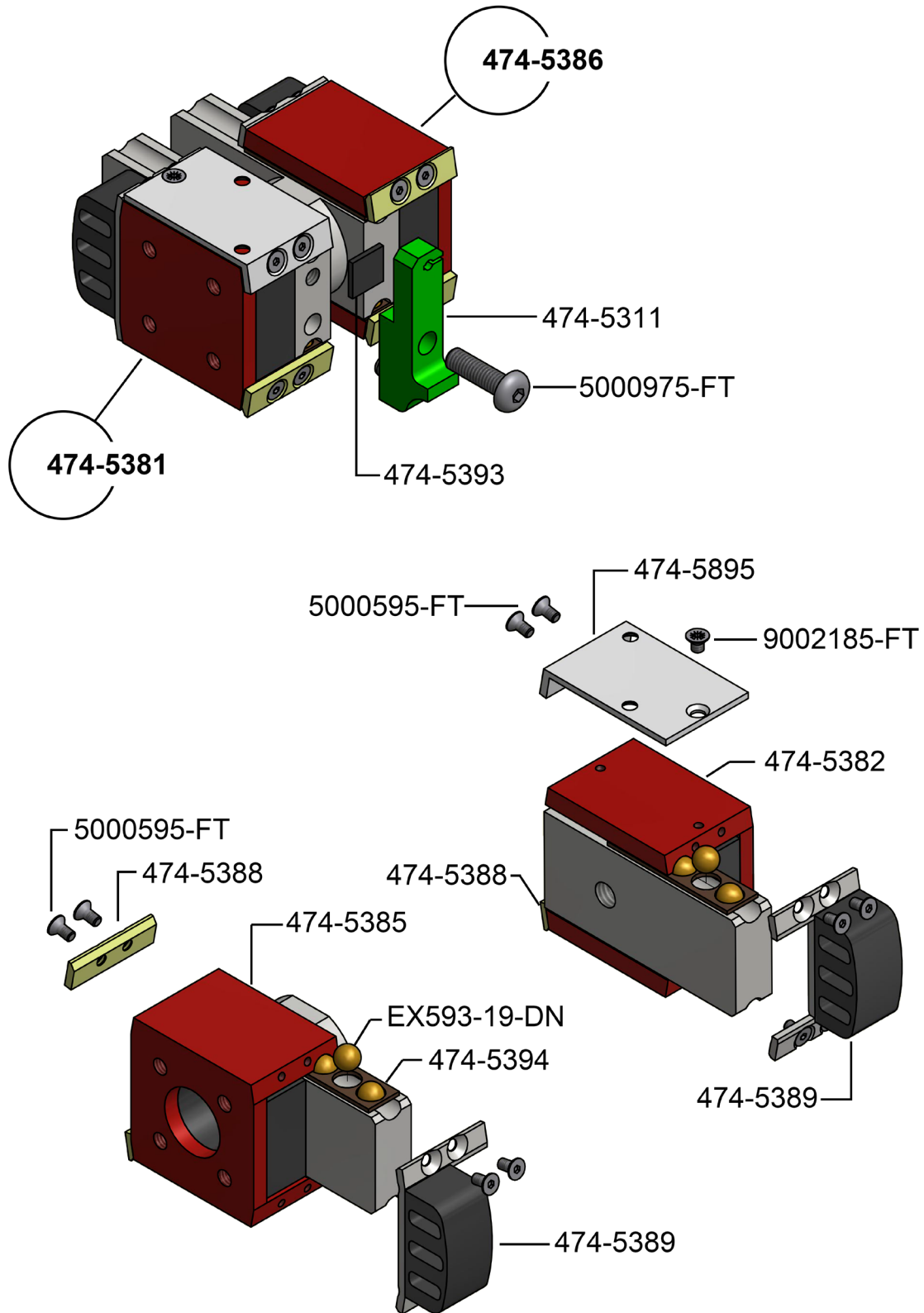
* Recommended spare part

**Knee Assembly
(474-5300)**



Part Number	Description	Qty. Req'd Per Dummy
474-5300	KNEE ASSEMBLY	2
474-5313	KNEE ROTATION STOP BOOT	2
474-5316	KNEE COMPRESSION WASHER	2
474-5317	KNEE BACKUP WASHER	2
474-5340	KNEE INSERT	2
474-5360	KNEE CAP	2
5000332-FT	M8 X 10 LG. SHSS	2
5001385-FT	M5 X 10 LG. SHSS	2
474-5380	KNEE SLIDER ASSEMBLY T/C	2

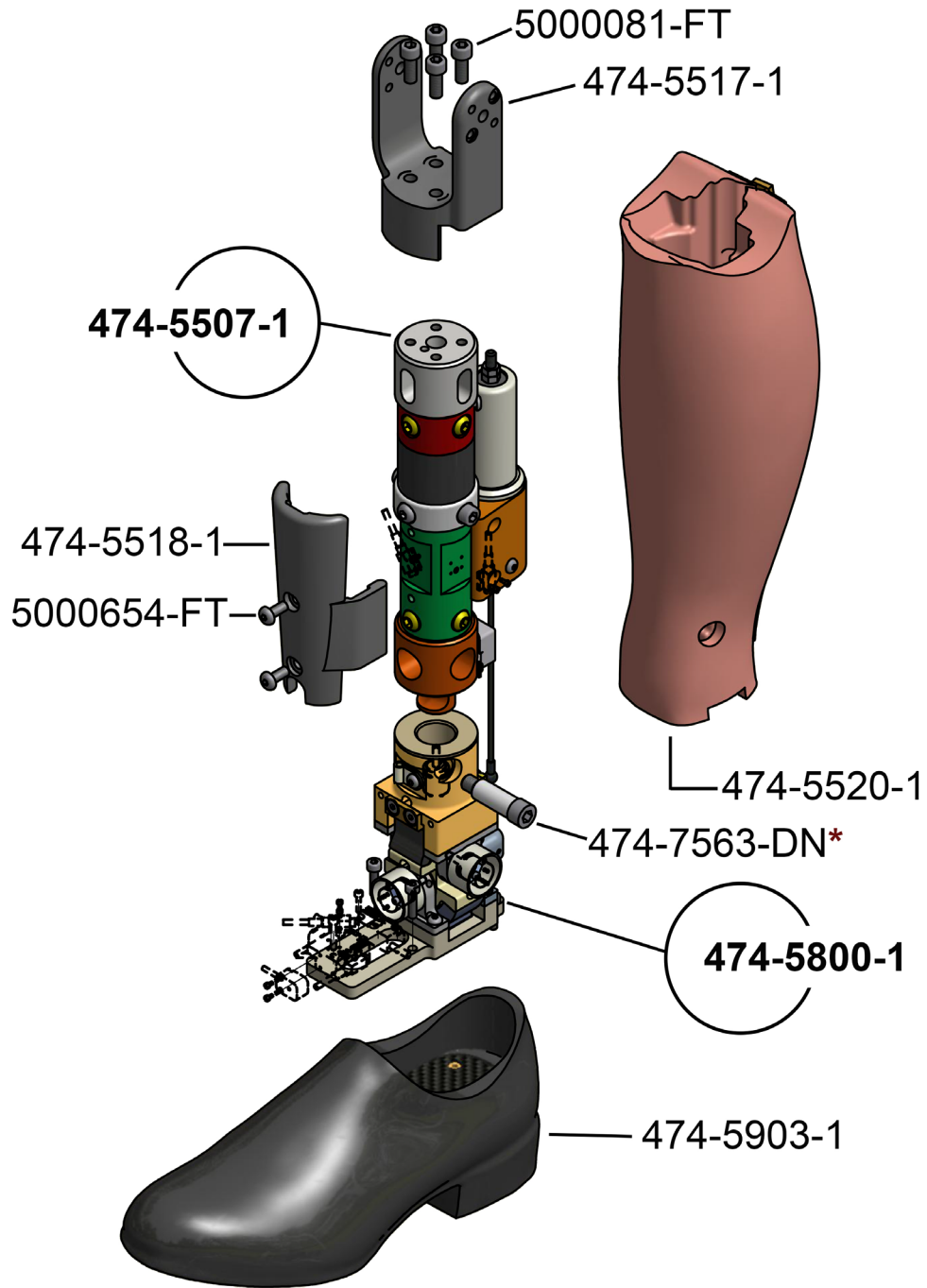
Knee Slider Assembly (474-5380)



Knee Slider Assembly

Part Number	Description	Qty. Req'd Per Dummy
474-5380	KNEE SLIDER ASSEMBLY T/C	2
474-5311	KNEE ROTATION STOP	2
474-5393	KNEE SLIDER RECOIL BUMPER	2
5000975-FT	M4 X 0.7 X 14 LG. BHCS	2
474-5386	RIGHT SLIDER UPPER ASSEMBLY	2
474-5385	KNEE SLIDER ASSEMBLY, RIGHT, MOLDED	2
474-5388	KNEE SLIDER BALL RETAINER	4
474-5389	KNEE SLIDER BUMPER ASSEMBLY	2
474-5394	BALL BEARING SEPERATOR	4
474-5895	BRACKET, STRING POT	2
5000595-FT	M2 X 0.4 X 4 LG. FHCS	16
9002185-FT	#2-56 X 1/8 LG. FHMSF SS	2
EX593-19-DN	BALL 3/16" DIA.	20
474-5381	LEFT SLIDER UPPER ASSEMBLY	2
474-5382	KNEE SLIDER ASSEMBLY, LEFT, MOLDED	2
474-5388	KNEE SLIDER BALL RETAINER	4
474-5389	KNEE SLIDER BUMPER ASSEMBLY	4
474-5394	BALL BEARING SEPERATOR	4
474-5895	BRACKET, STRING POT	2
5000595-FT	M2 X 0.4 X 4 LG. FHCS	16
9002185-FT	#2-56 X 1/8 LG. FHMSF SS	2
EX593-19-DN	BALL 3/16" DIA.	20

Lower Leg Assembly Left



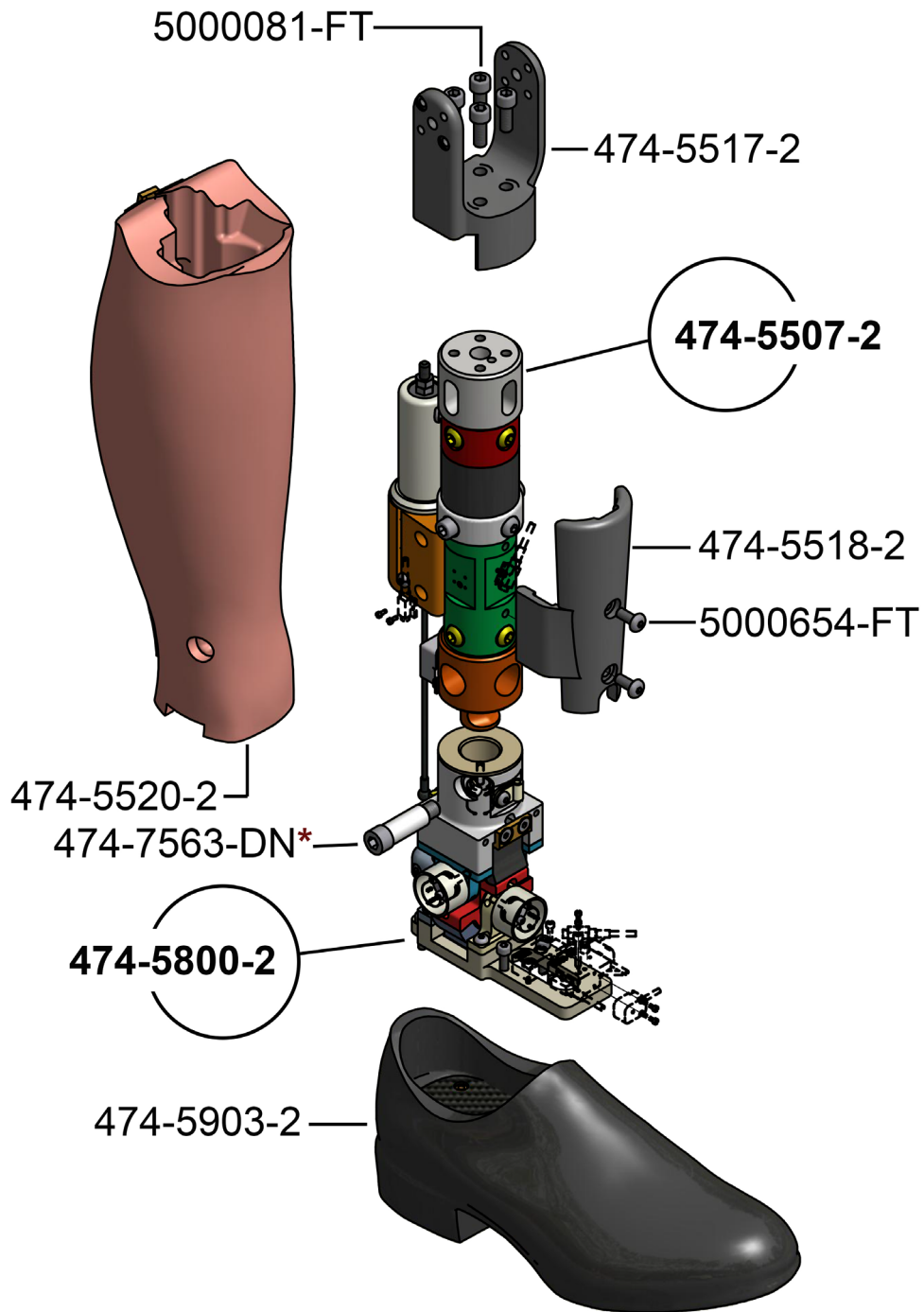
* Recommended spare part

Lower Leg Assembly Left

Part Number	Description	Qty. Req'd Per Dummy
474-5000-1	LEG ASSEMBLY LEFT, THOR 5TH	1
474-5500-1	LOWER LEG ASSEMBLY, LEFT T/C	1
474-5507-1	TIBIA ASSEMBLY, LEFT	1
472-7563*	BOLT & SLEEVE ASSEMBLY-ANKLE	1
474-5517-1	KNEE CLEVIS, LEFT	1
474-5518-1	SHIN GUARD, MOLDED, LEFT	1
474-5520-1	LOWER LEG FLESH, LEFT	1
474-5800-1	ANKLE ASSEMBLY, LEFT	1
474-5903-1	MOLDED SHOE ASSEMBLY, LEFT	1
5000025-FT	M4 X 0.7 X 16 LG. SHCS	4
5000081-FT	M6 X 1 X 16 LG. SHCS	4
5000654-FT	M5 X 0.8 X 12 LG. BHCS	2

* Recommended spare part

Lower Leg Assembly Right



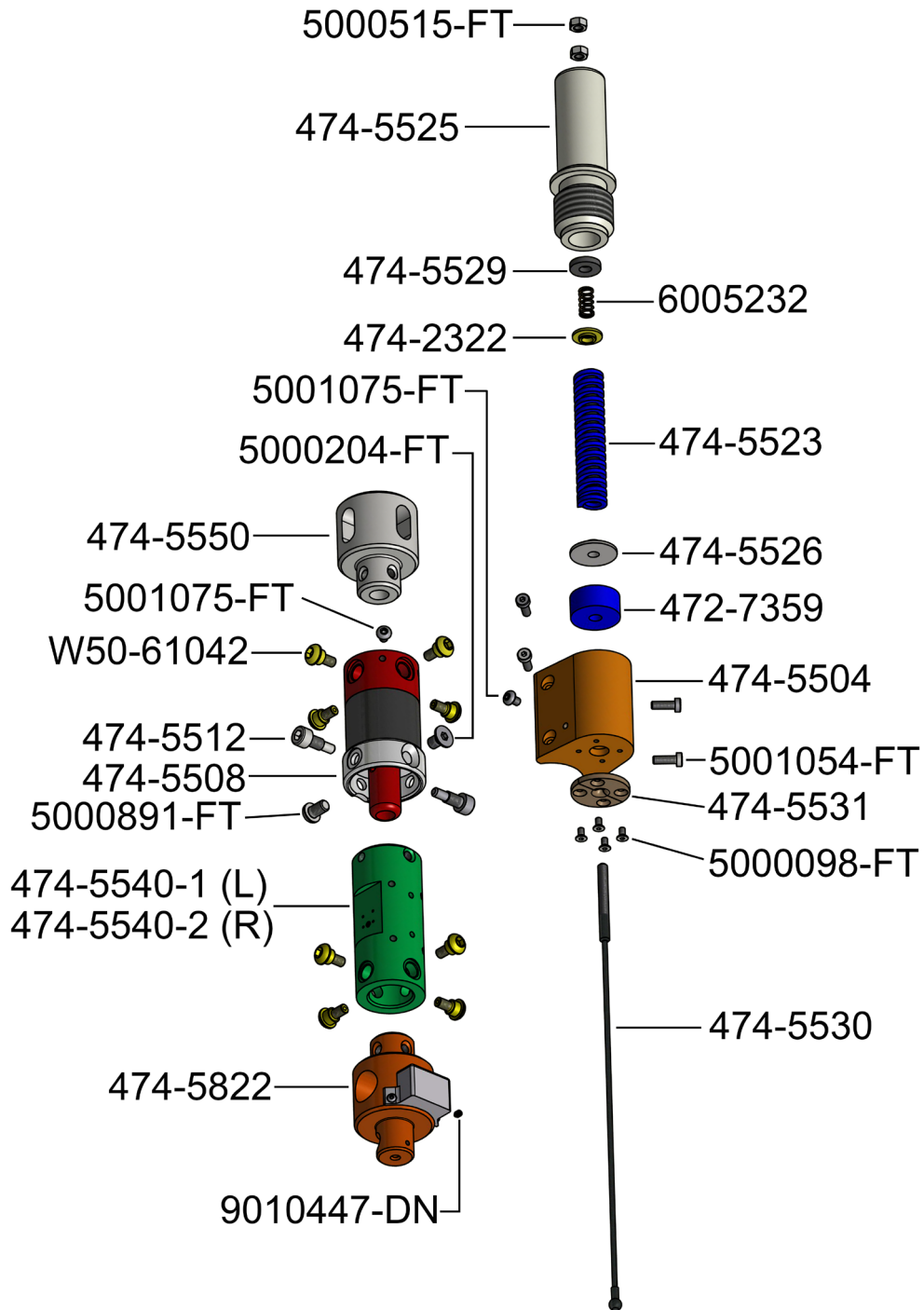
* Recommended spare part

Lower Leg Assembly Right

Part Number	Description	Qty. Req'd Per Dummy
474-5000-2	LEG ASSEMBLY RIGHT, THOR 5TH	1
474-5500-2	LOWER LEG ASSEMBLY, RIGHT T/C	1
474-5507-2	TIBIA ASSEMBLY, RIGHT	1
472-7563*	BOLT & SLEEVE ASSEMBLY-ANKLE	1
474-5517-2	KNEE CLEVIS, RIGHT	1
474-5518-2	SHIN GUARD, MOLDED, RIGHT	1
474-5520-2	LOWER LEG FLESH, RIGHT	1
474-5800-2	ANKLE ASSEMBLY, RIGHT	1
474-5903-2	MOLDED SHOE ASSEMBLY, RIGHT	1
5000025-FT	M4 X 0.7 X 16 LG. SHCS	4
5000081-FT	M6 X 1 X 16 LG. SHCS	4
5000654-FT	M5 X 0.8 X 12 LG. BHCS	2

* Recommended spare part

**Tibia Assembly L & R
(474-5507-1 & 474-5507-2)**



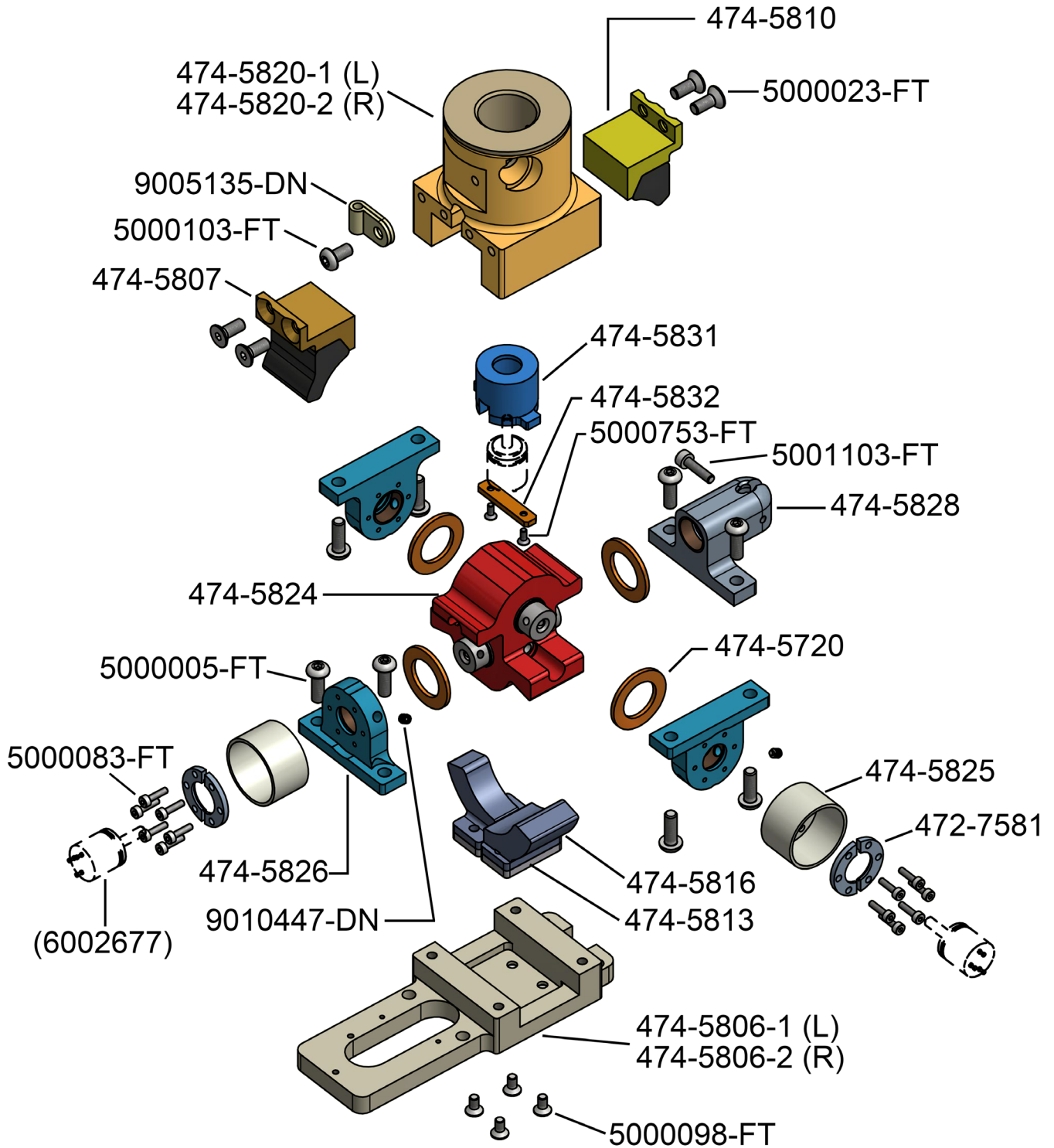
Tibia Assembly Left

Part Number	Description	Qty. Req'd Per Dummy
474-5507-1	TIBIA ASSEMBLY, LEFT	1
472-7359	MOCK ACHILLES LOAD CELL	1
474-2322	SPRING BUSHING	1
474-5504	LOWER ACHILLES SPRING HOUSING	1
474-5508	TIBIA COMPLIANT ELEMENT ASSEMBLY	1
474-5512	TIBIA PLUNGER PIN, MODIFIED M6 SHCS	2
474-5523	SPRING ASSEMBLY, ACHILLES	1
474-5525	UPPER ACHILLES SPRING HOUSING	1
474-5526	SPRING CAP, BOTTOM	1
474-5529	PRIMARY LOAD WASHER	1
474-5530	ACHILLES CABLE	1
474-5531	ACHILLES CABLE EYELET GUIDE	2
474-5540-1	LOWER TIBIA SHAFT, LEFT	1
474-5550	STRUCTURAL REPL, UPPER TIBIA LOAD CELL	1
474-5822	STRUCTURAL REPL, LOWER TIBIA LOAD CELL ASS'Y	1
5000098-FT	M3 X 0.5 X 6 LG. FHCS	4
5000204-FT	M6 X 1 X 10 LG. FHCS	1
5000515-FT	M5 X 0.8 HEX NUT ZINC	2
5000891-FT	M6 X 1 X 10 LG. BHCS	1
5001054-FT	M4 X 0.7 X 12 LG. LHCS	4
5001075-FT	M4 X 0.7 X 6 LG. BHCS	2
6005232	SPRING COMPRESSION .295 X .032 X .551 SS	1
9010447-DN	M3 X 0.5 X 3 LG. SSSNP	1
W50-61042	MODIFIED BHSS M6 THREAD	8

Tibia Assembly Right

Part Number	Description	Qty. Req'd Per Dummy
474-5507-2	TIBIA ASSEMBLY, RIGHT	1
472-7359	MOCK ACHILLES LOAD CELL	1
474-2322	SPRING BUSHING	1
474-5504	LOWER ACHILLES SPRING HOUSING	1
474-5508	TIBIA COMPLIANT ELEMENT ASSEMBLY	1
474-5512	TIBIA PLUNGER PIN, MODIFIED M6 SHCS	2
474-5523	SPRING ASSEMBLY, ACHILLES	1
474-5525	UPPER ACHILLES SPRING HOUSING	1
474-5526	SPRING CAP, BOTTOM	1
474-5529	PRIMARY LOAD WASHER	1
474-5530	ACHILLES CABLE	1
474-5531	ACHILLES CABLE EYELET GUIDE	2
474-5540-2	LOWER TIBIA SHAFT, RIGHT	1
474-5550	STRUCTURAL REPL, UPPER TIBIA LOAD CELL	1
474-5822	STRUCTURAL REPL, LOWER TIBIA LOAD CELL ASS'Y	1
5000098-FT	M3 X 0.5 X 6 LG. FHCS	4
5000204-FT	M6 X 1 X 10 LG. FHCS	1
5000515-FT	M5 X 0.8 HEX NUT ZINC	2
5000891-FT	M6 X 1 X 10 LG. BHCS	1
5001054-FT	M4 X 0.7 X 12 LG. LHCS	4
5001075-FT	M4 X 0.7 X 6 LG. BHCS	2
6005232	SPRING COMPRESSION .295 X .032 X .551 SS	1
9010447-DN	M3 X 0.5 X 3 LG. SSSNP	1
W50-61042	MODIFIED BHSS M6 THREAD	8

**Ankle Assembly L & R
(474-5800-1 & 474-5800-2)**



Ankle Assembly Left

Part Number	Description	Qty. Req'd Per Dummy
474-5800-1	ANKLE ASSEMBLY, LEFT	1
472-7581	POTENTIOMETER CLAMP	2
474-5720	ANKLE THRUST WASHER	4
474-5806-1	LOWER ANKLE PLATE, LEFT	1
474-5807	DORSI STOP ASSEMBLY	1
474-5810	PLANTAR STOP ASSEMBLY	1
474-5813	EVERSION STOP ASSEMBLY	1
474-5816	INVERSION STOP ASSEMBLY	1
474-5820-1	UPPER ANKLE ADAPTOR, LEFT	1
474-5824	ANKLE CENTER BLOCK ASSEMBLY	1
474-5825	POTENTIOMETER CAP	2
474-5826	PLATE, ANKLE BUSHING	3
474-5828	ACHILLES CABLE RETAINER	1
474-5831	POTENTIOMETER INNER MOUNT	1
474-5832	POTENTIOMETER CLAMP	1
5000005-FT	M4 X 0.7 X 12 LG. BHCS	8
5000023-FT	M4 X 0.7 X 10 LG. FHCS	4
5000083-FT	M2 X 0.4 X 8 LG. SHCS	12
5000098-FT	M3 X 0.5 X 6 LG. FHCS	4
5000103-FT	M4 X 0.7 X 8 LG. BHCS	1
5000753-FT	M2 X 0.4 X 5 LG. FHCS	2
5001103-FT	M3 X 0.5 X 12 LG. SHCS	1
9005135-DN	CLAMP, NYLON LOOP	1
9010447-DN	M3 X 0.5 X 3 LG. SSSNP	2

Ankle Assembly Right

Part Number	Description	Qty. Req'd Per Dummy
474-5800-2	ANKLE ASSEMBLY, RIGHT	1
472-7581	POTENTIOMETER CLAMP	2
474-5720	ANKLE THRUST WASHER	4
474-5806-2	LOWER ANKLE PLATE, RIGHT	1
474-5807	DORSI STOP ASSEMBLY	1
474-5810	PLANTAR STOP ASSEMBLY	1
474-5813	EVERSION STOP ASSEMBLY	1
474-5816	INVERSION STOP ASSEMBLY	1
474-5820-2	UPPER ANKLE ADAPTOR, RIGHT	1
474-5824	ANKLE CENTER BLOCK ASSEMBLY	1
474-5825	POTENTIOMETER CAP	2
474-5826	PLATE, ANKLE BUSHING	3
474-5828	ACHILLES CABLE RETAINER	1
474-5831	POTENTIOMETER INNER MOUNT	1
474-5832	POTENTIOMETER CLAMP	1
5000005-FT	M4 X 0.7 X 12 LG. BHCS	8
5000023-FT	M4 X 0.7 X 10 LG. FHCS	4
5000083-FT	M2 X 0.4 X 8 LG. SHCS	12
5000098-FT	M3 X 0.5 X 6 LG. FHCS	4
5000103-FT	M4 X 0.7 X 8 LG. BHCS	1
5000753-FT	M2 X 0.4 X 5 LG. FHCS	2
5001103-FT	M3 X 0.5 X 12 LG. SHCS	1
9005135-DN	CLAMP, NYLON LOOP	1
9010447-DN	M3 X 0.5 X 3 LG. SSSNP	2

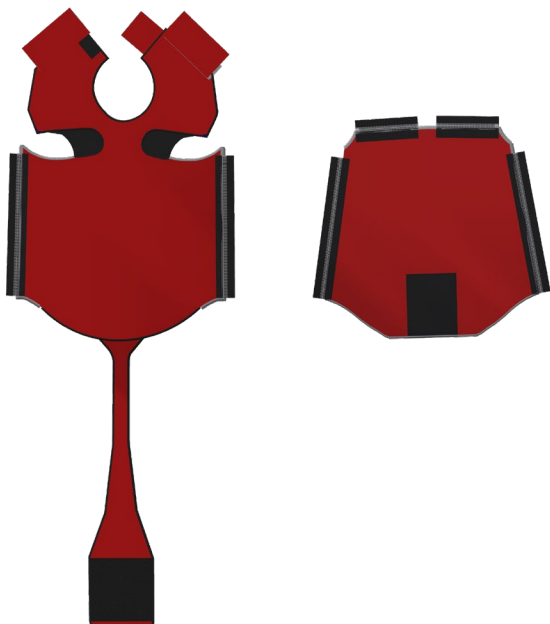
Instrument Mounts

474-7264C-2000 - MOUNT KIT, COMPLETE THOR 5TH

ACCELEROMETER / ARS	Components				
	Head	Neck	Thorax	Pelvis	Leg
7264C-2000 64C ARS	474-1034 KIT, REDUNDANT 7264C/ARS, THOR 5TH FEMALE HEAD	474-2022 KIT, 7264C, T1 THOR 5TH FEMALE NECK	474-3066 KIT, 7264C, THOR 5TH FEMALE MID-SPINE 474-3067 KIT, 7264C/ARS, THOR 5TH FEMALE LUMBAR	474-4008 KIT, 7264C, THOR 5TH FEMALE PELVIS	474-5728-1 KIT, 7264C/ARS, LEFT FOOT 474-5728-2 KIT, 7264C/ARS, RIGHT FOOT

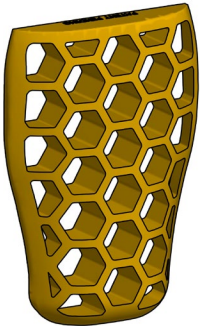
Clothes

Part Number	Description	Qty. Req'd Per Dummy
474-3900	JACKET ASSEMBLY	1



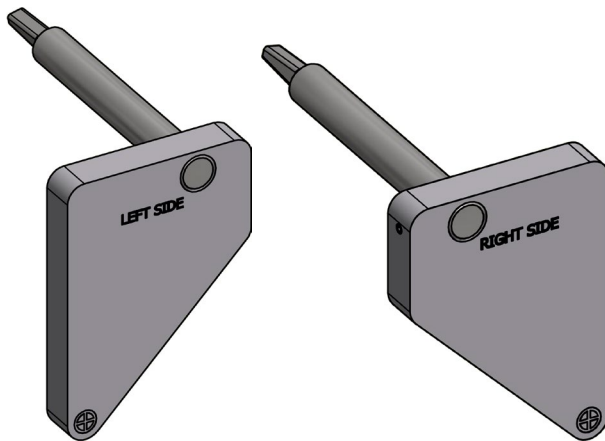
Optional Spares

Part Number	Description	Qty. Req'd Per Dummy
474-1401 (only sold as spare)	FACE INSERT	1



Misc. (included with dummy)

Part Number	Description	Qty. Req'd Per Dummy
474-TOOLKIT	THOR 5TH FEMALE TOOLKIT	1
10-474-0001	LEFT H-POINT ASSEMBLY	1
10-474-0002	RIGHT H-POINT ASSEMBLY	1
5000093	M6 x 1 LOCK NUT	2
5000486	M8 x 1.25 LOCK NUT	2



474-01AB	GROUND CABLE, HEAD/NECK	1
474-02AB	GROUND CABLE, THORAX	1
474-03AB	GROUND CABLE, LUMBAR	1
474-04AB	GROUND CABLE, LOWER LEG	2
474-05AB	GROUND CABLE, UPPER LEG	2
474-06AB	GROUND CABLE, EXIT	1