

WorldSID 50th Standard Build Level Summary

Publication Date: June, 2016



Humanetics has issued multiple Standard Build Level (SBL) updates to the design of the WorldSID 50th ATD since the first pre-production release in 2003. Build level updates are issued in conjunction with the ISO WorldSID Task Group, which recommends and reviews all design improvements made during the development cycle.

Summary

There have been six build level releases beginning with SBL A in 2003 up to SBL F first released in 2013. The following chart summarizes the main changes and release dates.

WorldSID 50th ATD SBL Updates*			
SBL	Date	Summary	Approx. Production
A-B	2003	Original Design, Pre-Production	12 dummies
C	2004	Production Release. Major Changes including: torso, neck, ribs, battery assembly, pelvis, & instrumentation	11 dummies
D	2005	Changes to: lower neck bracket & spacer, pelvis instrumentation, shoulder clevis asm., spine box plates	10 dummies
E	2008	Changes to: battery container/cover, IRTRACC system, torso asm, ribs, shoulder clevis asm., shoes	31 dummies
F	2013	Changes to: Jacket, ankle, lift bracket and 2D IRTRACC is made standard <ul style="list-style-type: none"> • Introduction of new arm and clevis in 2016 <i>Future updates to suit and neck shield are in process.</i>	Continuous

*Please see accompanying pages, *Technical Specifications*, for complete details of the WorldSID 50th ATD component updates.

Technical Specifications Table of Contents

- Page 2.....Release to Production SBL C Parts List
- Page 3.....SBL D and E Parts List
- Page 4.....SBL F Parts List, Begin major component parts to check
- Page 5-10.....Major component parts to check on the WSID 50th to determine build level

Technical Specifications

Release to Production SBL C, June 8, 2004 Part Updates from Pre-Production Dummy

Item	Part Number	Qty	Description
1	W50-20009	1	Lower Neck Bracket
2	W50-30000	1	Torso-Shoulder/ Thorax/ Abdomen, WorldSID
3	W50-31010	1	Upper Bracket Weldment Spine Box, WSID
4	W50-32000	2	Rib, Shoulder
5	W50-32010	2	Rib, Doubler, Shoulder
6	W50-32161	2	Rib, Damping
7	W50-32162	2	Shoulder Rib Bent, WorldSID
8	W50-32171	2	Shoulder Rib Mounting Bracket, WorldSID
9	W50-32172	10	Thorax & Abdominal Rib Accelerometer Mounting Bracket, WorldSID
10	W50-32179	6	Screw, Rib, IRTRACC Mount
11	W50-32180	4	Clamp, Damping
12	W50-35023-1	1	Shoulder Pad, Left, WorldSID
13	W50-35023-2	1	Shoulder Pad, Right, WorldSID
14	W50-37012	1	Battery Structural Replacement
15	W50-38000	1	Battery Assembly
16	W50-41018	1	Lumbar Spine, Rubber
17	W50-41020	4	Bushing Lumbar Spine, Top
18	W50-42010	1	Pelvis Bone, Left
19	W50-42011	1	Pelvis Bone, RH
20	W50-42016	1	SI LC Interface, LH
21	W50-42017	1	SI LC Interface, RH
22	W50-42510	2	Pubic Buffer, Molded
23	W50-74307	6	G5 Structural Replacement
24	W50-75801	1	Ground Cable, Head to Thorax
25	W50-75802	1	Ground Cable, Torso to Sacrum
26	W50-75803	1	Ground Cable, Sacrum to Pubic
27	W50-75804	1	Ground Cable, Sacrum to Upper Leg
28	W50-75805	1	Ground Cable, Upper Leg to Lower Leg
29	W50-75806	1	Ground Cable, Torso to External Ground
30	IF-363	6	IRTRACC Specification Sheet
31	6002055	8	Cable Tie, Hook & Loop, 11 inch
32	W50-31010	1	Upper Bracket Weldment Spine Box, WSID
33	W50-31011	1	Shoulder Mounting Plate
34	W50-42030	1	Instrumentation Bracket Pelvis

Technical Specifications

SBL D, May 15, 2005

Part Updates

Item	Part Number	Qty	Description	Rev	Replaces
1	W50-20101	1	Lower Neck Bracket	A	W50-20009
2	W50-20102	1	Upper Neck Bracket	A	W50-20010
3	W50-20103	2	Neck Spacer	A	NEW
4	W50-42040	1	Pelvis Instrumentation Bracket	A	W50-42030
5	W50-41042	1	Pelvis Docking Station	D	N/A
6	W50-41043	1	Docking Station Cover	A	NEW
7	W50-31020	1	Left Side Plate	F	N/A
8	W50-31030	1	Right Side Plate	D	N/A
9	W50-61117	2	Shoulder Clevis Assembly	A	NEW

SBL E, November 1, 2008

Part Updates

Item	Part Number	Qty	Description	Rev	Replaces
1	W50-37013	1	Mounting Bracket, Battery	A	W50-37011
2	W50-37014	2	Spine Ballast Stand Off	A	W50-37012
3	W50-37015	1	Mounting Bracket, G5-WSID Thorax	A	NEW
4	W50-43001	1	Battery Container	A	W50-33101
5	W50-43002	1	Battery Cover	A	W5-3323
6	556-5125-2	1	Structural Replacement -Cover	A	NEW
7	Remove	NA	DAS Cover	>	W50-41041
8	Remove	NA	Pelvis Docking Station	>	W50-41042
9	Remove	NA	Docking Station Cover	>	W50-41043
10	W50-31050	6	Ball Joint Assembly IRTRACC	B	REV A
11	W50-31051	1	Ball Shaft Assembly	B	REV A
12	W50-31053	1	Ball Shaft IRTRACC	C	REV B
13	W50-31055	1	Ball Retainer IRTRACC	D	REV C
14	W50-30000	1	Torso Assembly	L	REV K
15	W50-40000	1	Pelvis Assembly	J	REV H
16	W50-32150-2	6	Thorax Rib Assy, Inner Band	A	W50-32150-1
17	W50-32155-2	4	Abdomen Rib Assy, Inner Band	A	W50-32155-1
18	W50-32160-2	2	Shoulder rib Assy, Inner Band	A	W50-32160-1
19	W60-61125	2	Shoulder Clevis	C	W50-61125
20	W50-61130	2	Shoulder Clevis Assy	C	W50-61117
21	W50-61135	2	Clevis Insert	A	NEW
22	W50-55003	2	Sole Plate	F	REV C
23	W50-55004	1	Shoe, Left	C	REV B
24	W50-55005	1	Shoe, Right	C	REV B
25	84895A32	2	Ball-spring plunger, Arm		
26	W50-71130S	1	Sacro-Iliac Load Cell		W50-71130

Technical Specifications

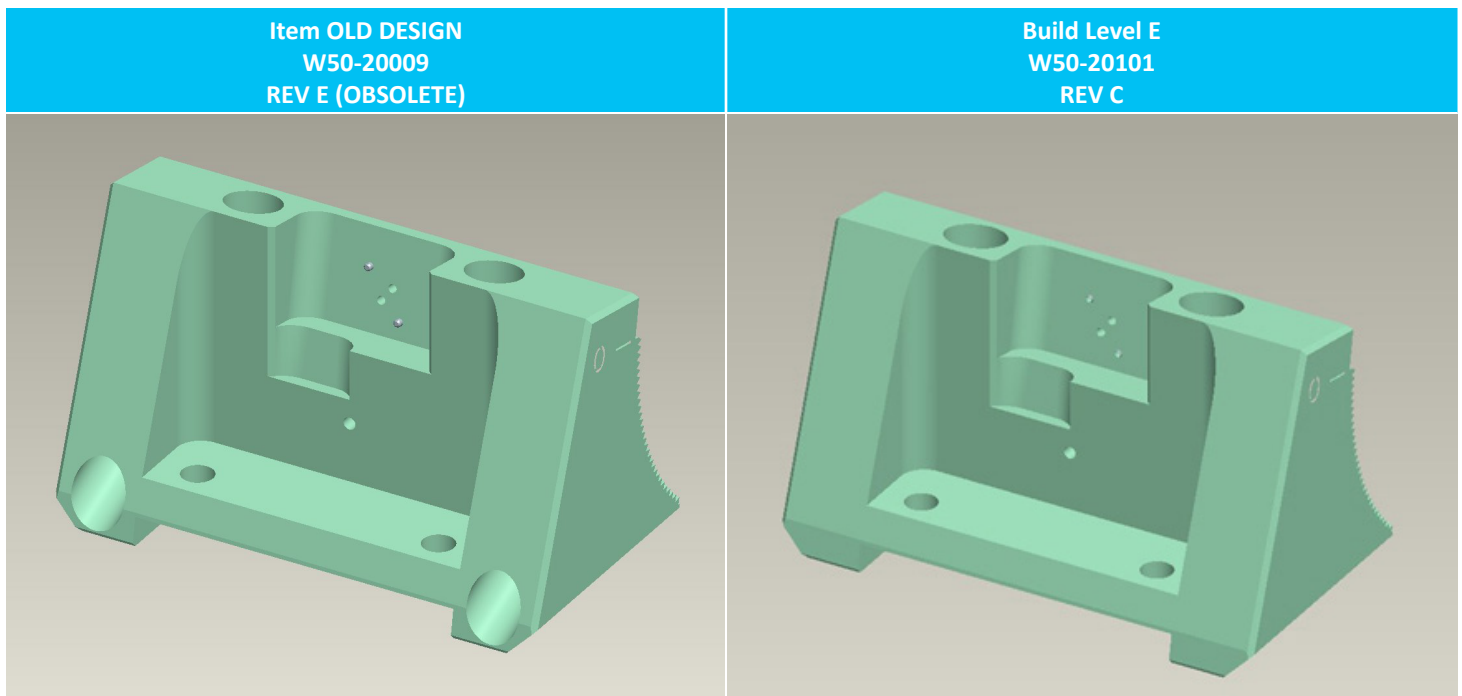
SBL F, April 30, 2013

Part Updates

Item	Part Number	Qty	Description	Rev	Replaces
1	W50-00000	2	Final Assembly WorldSID	H	REV G
2	W50-30000 SH 1 & 2	1	Torso-Shoulder/ Thorax/ Abdomen, T/C	N	REV M
3	IF-367-R2	5	IRTRACC Assy, 2D Rib (REF)*	B	IF-363
4	IF-368-R2	1	IRTRACC Assy, 2D Shoulder (REF)*	B	IF-363
5	W50-42005	2	Hip Joint Socket	C	
6	W50-50000-DN	1	Leg Assembly-Right	A	REV N/C
7	W50-50001-DN	1	Leg Assembly-Left	A	REV N/C
8	W50-54055-DN	1	Lower Leg, Right WorldSID	C	REV B
9	W50-54056-DN	1	Lower Leg, Left WorldSID	C	REV B
10	W50-57000	2	Ankle Assembly Harmonized	B	W50-54054
11	W50-62000	2	2 Half Arm Assembly	E	REV D
12	W50-80100	1	WorldSID Suit, 50th	D	REV C
13	W50-84100	1	Lifting Bracket Assy	B	REV A
14	71130S4-XXX	1	Sacro-Iliac Load Cell	D	W50-71130
15	W50-63112	1	Shoulder Clevis Assy, Left	A	W50-61130
16	W50-63111	1	Shoulder Clevis Assy, Right	A	W50-61130
17	W50-63100	1	Half Arm Molded	A	W50-62000

Major component parts to check on the WSID 50th to determine build level

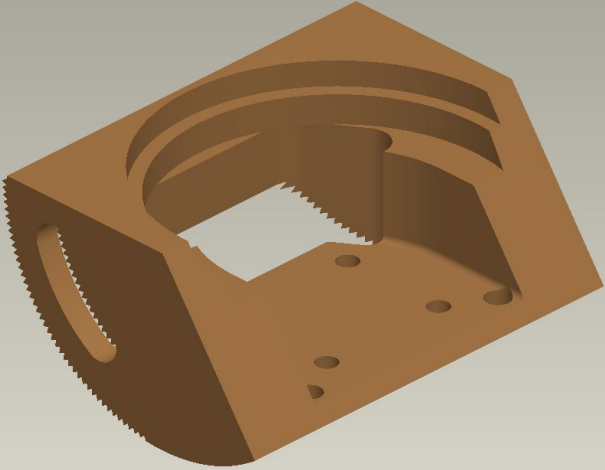
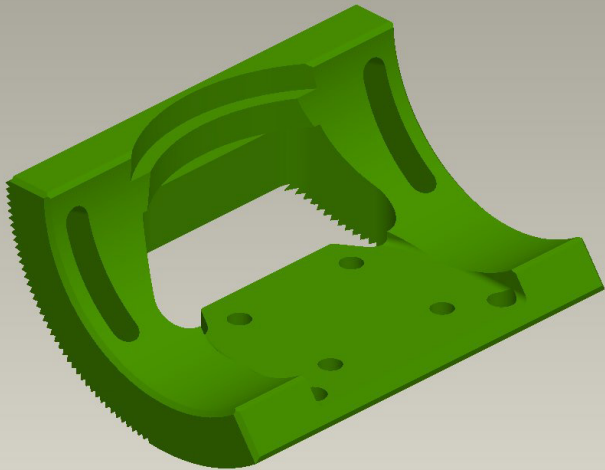
LOWER NECK BRACKET



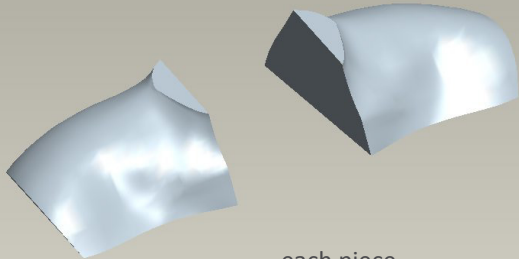
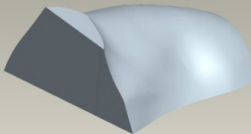
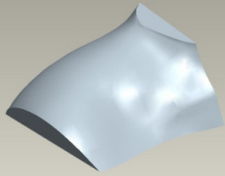
Technical Specifications

Major component parts to check on the WSID 50th to determine build level

UPPER NECK BRACKET

Build level D W50-20010 REV E (OBSOLETE)	Build Level E W50-20102 REV A
	

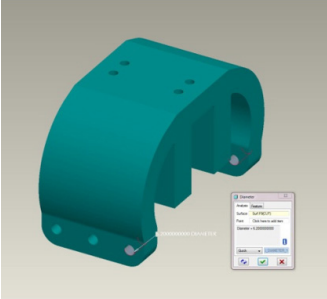
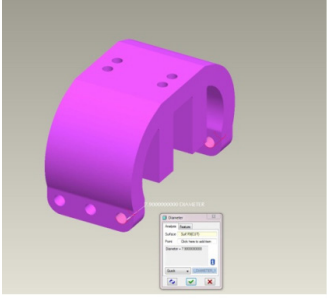
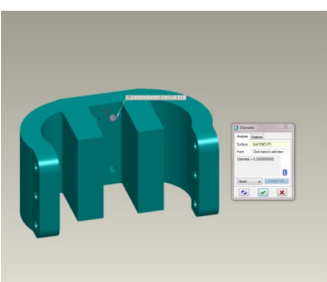
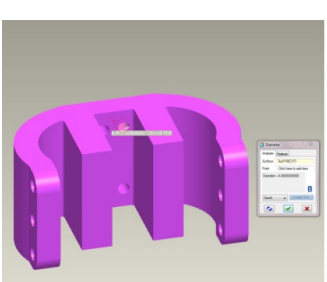
SHOULDER PAD

Pre-production to Build Level D W50-35023 REV A	Build level E	
 <p>each piece Overall Width =164mm</p>		<p>W50-35023-1 REV D</p> <p>each piece Overall Width =158mm Overall Height =73mm Overall Length =138</p>
		<p>W50-35023-2 REV D</p>

Technical Specifications

Major component parts to check on the WSID 50th to determine build level

LUMBAR SPINE RUBBER

<p>OLD DESIGN W50-41018 REV A</p>	<p>Build level E W50-41018 REV C</p>
 <p>REV A: DIA 6.2</p>	 <p>REV B: DIA 7.9 WAS 6.2</p>
 <p>REV A: DIA 5.2</p>	 <p>REV C: DIA 6.9 WAS 5.2</p>

PELVIS BONE

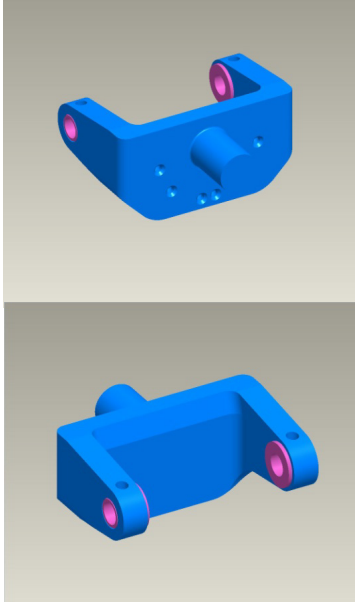
<p>Old Design</p>	<p>Build level E</p>
 <p>W50-42010 (LEFT) REV B DOES NOT INCLUDE INSERT</p>	 <p>W50-42010 (LEFT) REV D INCLUDES INSERT</p>
 <p>W50-42011 (RIGHT) REV B DOES NOT INCLUDE INSERT</p>	 <p>W50-42011 (RIGHT) REV D INCLUDES INSERT</p>

Technical Specifications

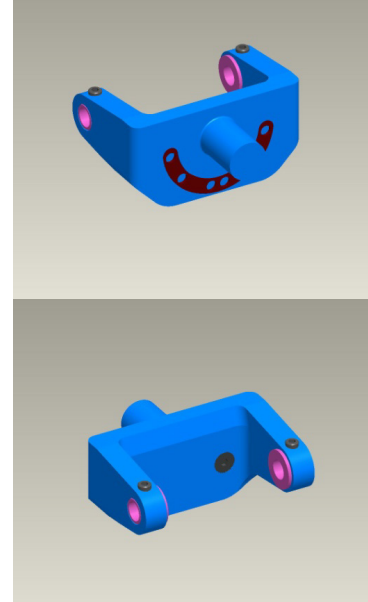
Major component parts to check on the WSID 50th to determine build level

SHOULDER CLEVIS ASSEMBLY

OLD DESIGN
W50-61117 REV A

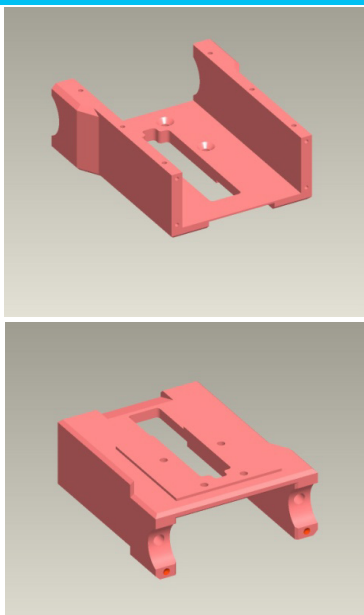


Build Level E
W50-61130 REV A

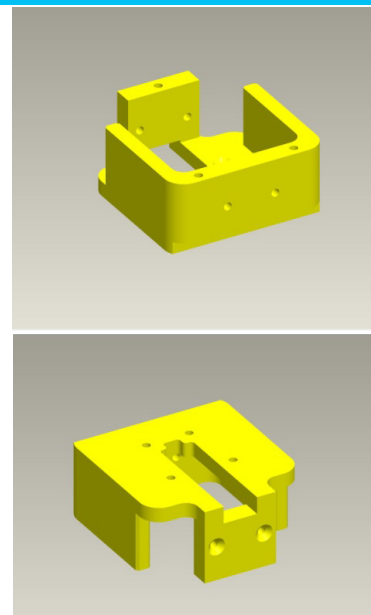


PELVIS DOCKING STATION

OLD DESIGN
PELVIS DOCKING STATION
W50-41042 REV D



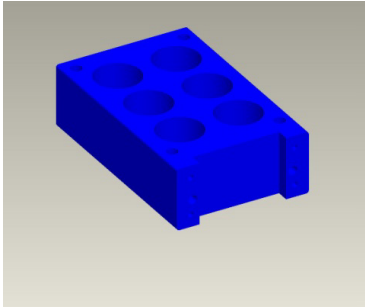
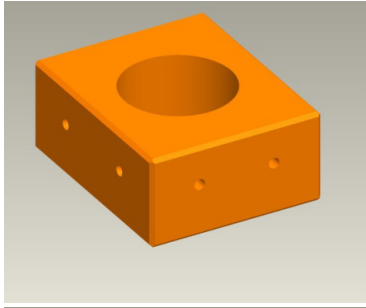
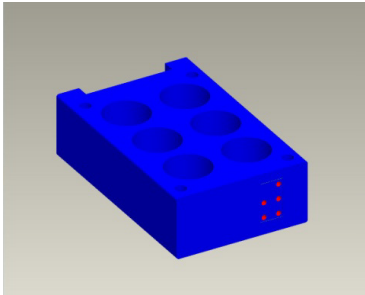
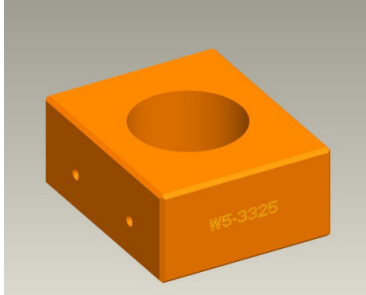
Build Level E
BATTERY CONTAINER
W50-43001 REV D



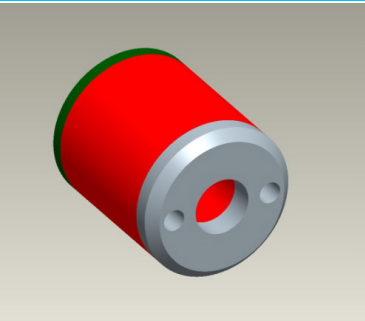
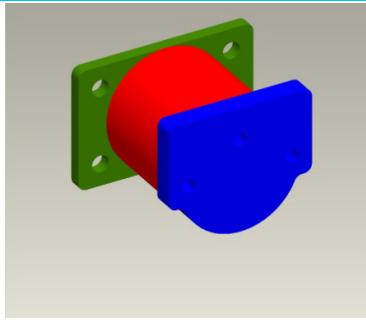
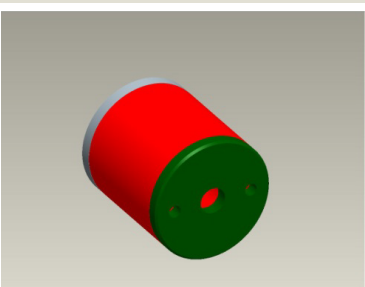
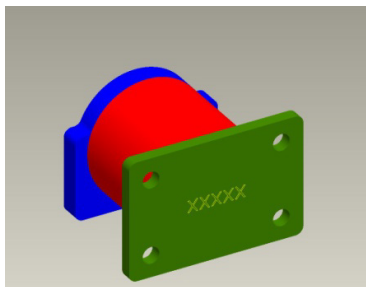
Technical Specifications

Major component parts to check on the WSID 50th to determine build level

PELVIS BATTERY

OLD DESIGN G5 STRUCTURAL REPLACEMENT W50-74307 REV D	Build level E BATTERY REPLACEMENT W5-3325 REV C
	
	

PUBIC BUFFER, MOLDED

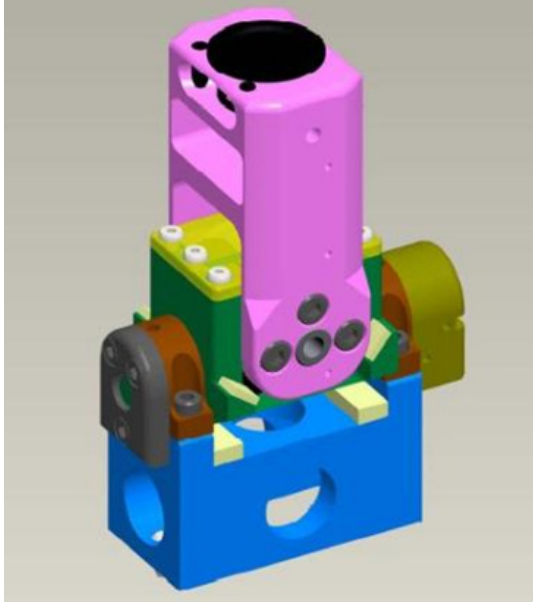
OLD DESIGN W50-42510 REV 1	Build Level E W50-42510 REV C
	
	

Technical Specifications

Major component parts to check on the WSID 50th to determine build level

W50-57000 ANKLE

SBL E
W50-54054



SBL F
W50-57000 rev C



W50-80100 JACKET

OLD DESIGN
W50-80100 rev C



Build Level F
W50-80100 rev D

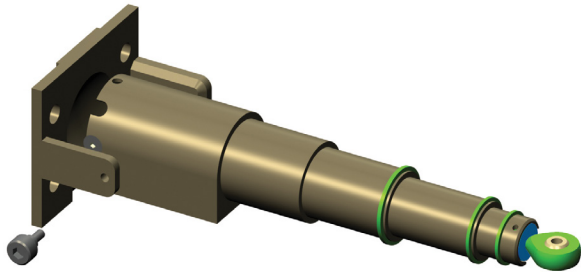


Technical Specifications

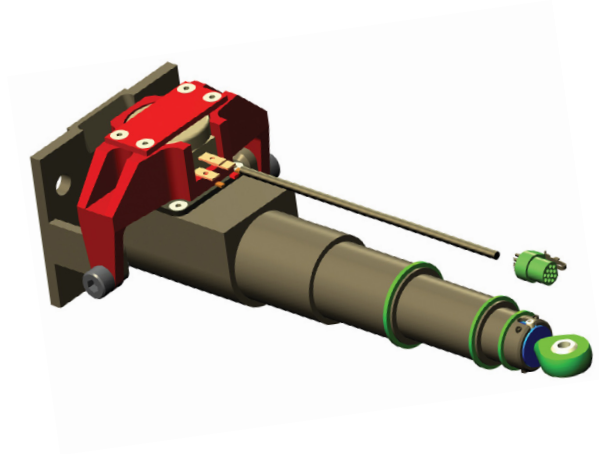
Major component parts to check on the WSID 50th to determine build level

IR-TRACC

SBL E: 1D IRTRACC



SBL F: 2D IRTRACC



Shoulder Clevis & Arm

SBL E & F through 2015
W50-61130 (Univ), W50-62000



SBL F after March 2016
W50-63111 (R), W50-63112 (L), W50-63100

