

WorldSID-50M Probe Alignment Tool

W50-82720

Publication Date: September 2017

A new tool which aids in the positioning of the thorax certification probe for the WorldSID-50M dummy is now available.

New Probe Alignment Tool

Before the creation of the new alignment tool, WorldSID-50M certification set-up was difficult because the impact targets were not visible, requiring the jacket to be opened. Now a new thorax probe alignment tool is available to aid in the set-up of thorax impact certification tests (Figure 1). The tool has markers for precisely aligning the probe target points for the Thorax Without Arm impact test and the Abdomen impact test. (Figure 2)



Figure 1- W50-82720 Thorax Probe Alignment tool

Alignment Tool Positioning

The alignment tool is attached to the WorldSID-50M neck bracket by means of magnets and requires no bolts to install. It has a target probe arm that aligns on the side of the thorax and pinpoints the probe impact points. The target arm is reversible and can be used for both right and left side impact set-ups.

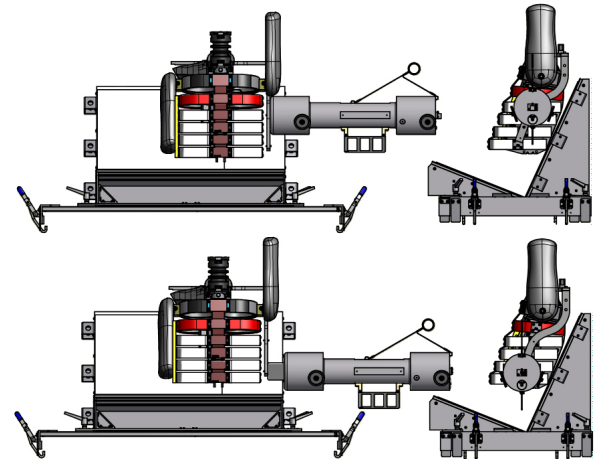


Figure 2 - Thorax without Arm and Abdomen test set-ups with Thorax Probe Alignment tool

Ease of Set-up and Improved Accuracy

The alignment tool can drastically cut down on the time required to align the certification probes for each test. With this tool, it is not necessary to reposition the chest jacket and visually contact the ribs each time the dummy is set-up. Pinpointing the impact target is also more accurate and stable since less movement is required with handling the jacket. The tool can be gently lifted on and off without moving the dummy.

The alignment tool is supplied with a dimensional certificate of the target locations and mating angles.

Part Number	Description
W50-82720	BRACKET ASSY, THORAX PROBE ALIGNMENT