



# UFO UPGRADE

Optional Packages



- Control Panel 8-Inch Screen with Mobile App
- Anti-Lock Braking System (ABS)
- Alternative Trajectory
- Full Test Synchronisation
- V2X Communication Bay
- UFOPro *Black Series* Upgrade
- Rugged Outdoor Notebook



Humanetics is committed to helping you maximize the capabilities of your UFO system. Please contact your local Humanetics representative for additional details on upgrade packages.

## UFO UPGRADE OPTIONAL PACKAGES

Humanetics is committed to continuously developing new products while enhancing existing products with new improvements and functionalities based on customer feedback. These new features increase productivity, ease-of-use and ensure that your investment in technology and equipment is maximized. To support this mission, we are pleased to inform you that we have recently incorporated several significant upgrades to our UFO (Ultra Flat Overrunable robot platform) product line to further improve efficiency, safety and your overall experience with us.

To supplement the complimentary hardware/software upgrades to your Ultra-Flat Overrunable (UFO) robot platform, there are a variety of optional packages available for purchase. For your convenience, the optional packages and the basic free-of-charge updates can be performed simultaneously by our UFO service specialists.

Please look over the options in this brochure, and contact your local UFO service representative to schedule a service date for your basic updates and add-on packages.

UPGRADE PACKAGE	ADVANTAGE
Control Panel 8" Screen with Mobile App	Enhanced user experience during testing
Anti-Lock Braking System (ABS)	Extended tire life = less downtime and cost saving
Alternative Trajectory	Test AD scenarios with alternative trajectories
Full Test Synchronisation	Improved accuracy in synchronisation of test objects
V2X Communication Bay	Allows for external electronics installation
UFOPro <i>Black Series</i> Upgrade	Capability to run test scenarios up to 100kph
Rugged Outdoor Notebook	Robust and waterproof design for testing in adverse weather

## Control Panel 8-Inch Screen with Mobile App

The 8-inch screen with mobile app makes it easy to see pertinent information about ongoing tests.

- **Driver view** allows the operator to see test objects in real-time on the live map
- **Raw motion data from test objects** enables you to check relevant data such as speed, position acceleration, relative and absolute distances, long/lat/speed deviations and battery charge level
- **Easily set up** lightgate configuration parameters, test type, and vehicle/UFO reference points

## Anti-Lock Braking System (ABS)

**All-new ABS** for impressive efficiency on the proving ground.

- Braking performance is improved in slippery conditions, and falls within strict tolerance from Euro NCAP testing protocols
- Extended tire life saves you time and money, in addition to reducing waste

## Alternative Trajectory

The Alternative Trajectory software function provides an interface for loading alternative paths while the UFO is moving. This package expands the range of testing complexity and is ideal for autonomous vehicle test scenarios.

## Full Test Synchronisation

With the Full Test Synchronisation Package activated, the error compensation algorithm in the UFO software compensates for **both the lateral and the longitudinal trajectory deviation**.

## V2X Communication Bay

Vehicle-to-Everything (V2X) communication is used to relay information back and forth from external hardware, which can be extremely useful in crash testing scenarios. **UFO is the only platform on the market with dedicated space for V2X hardware integration.** The basic version includes the additional connectors (power supply, CAN data output). With the V2X Package upgrade, the connectors are activated and the software is licensed.

The UFO Wi-Fi network can be used to send and receive real-time data such as motion and GPS position/heading data from the test object to your external hardware.

- 36x36x8cm storage area for your V2X electronics
- LAN/CAN/Power connection
- UFO WiFi network access (subject to band limitations)

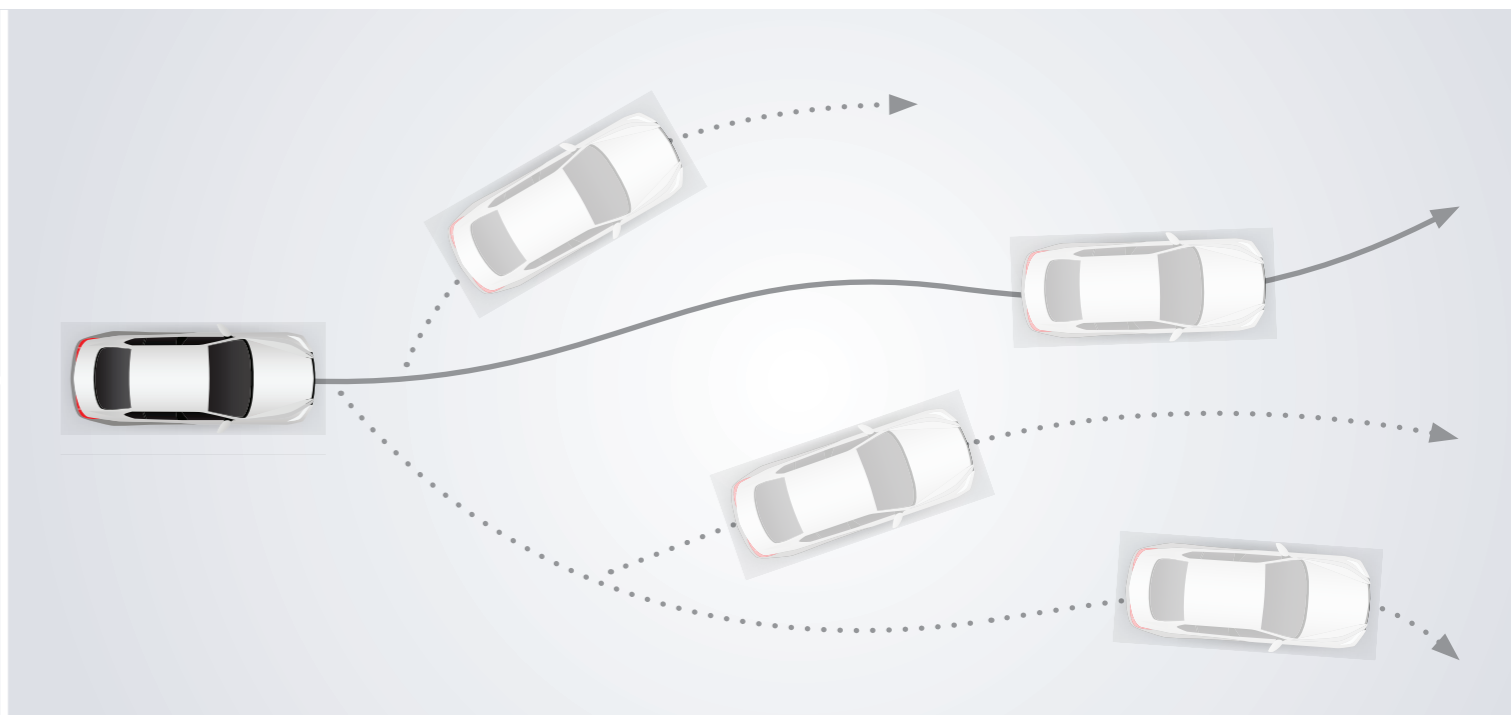
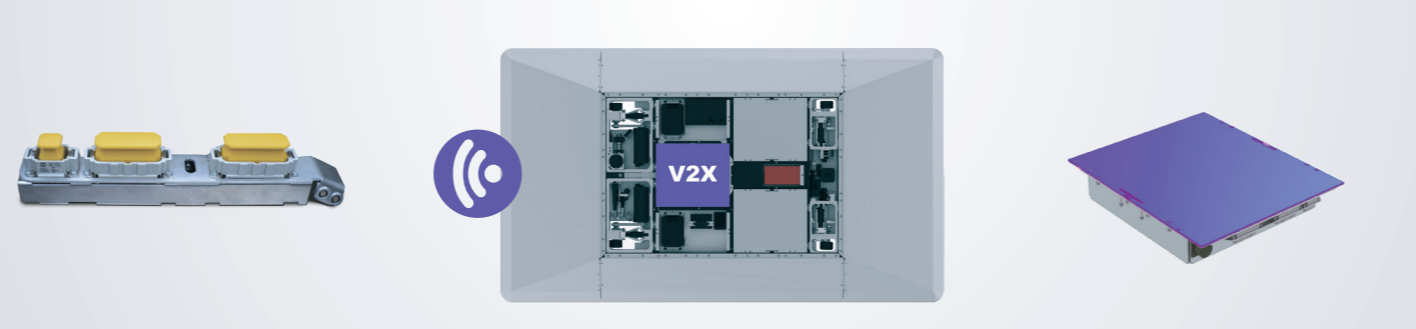
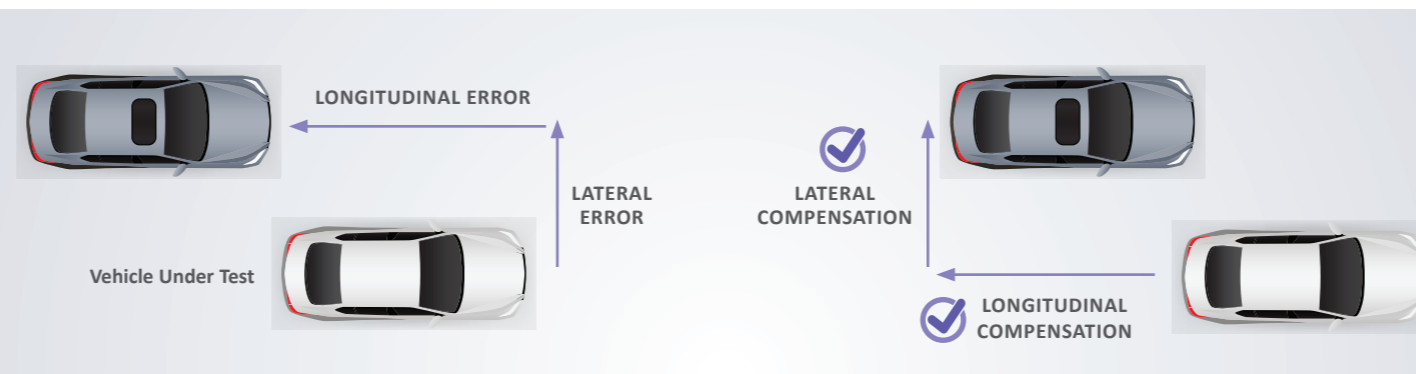
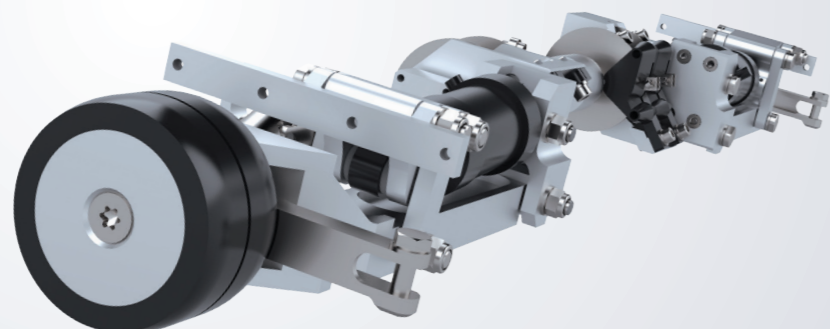
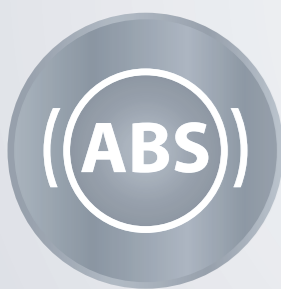
## UFOPro *Black Series* Upgrade

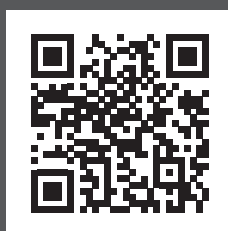
Our UFO *Black Series* is the top-of-the-line product in the field of robot platforms. It features the same geometry and hardware as the Standard UFOPro, but can reach speeds up to 100kph with the Global Vehicle Target (GVT) dummy riding on top. This enables the testing of ADAS systems beyond the speeds of Euro NCAP test protocols. The *Black Series* upgrade also includes three charges and three batteries for extended testing time.

## Rugged Outdoor Notebook

The available rugged notebook has been **optimized for outdoor use**.

- Waterproof
- Increased screen luminosity
- Long-lasting battery life





[HUMANETICSATD.COM](https://www.humaneticsatd.com)

**HUMANETICS** AUSTRIA GMBH

Salzburgerstr. 34 | 4020 Linz, Austria | tel. +43 732 343200 | fax. +43 732 34320028 | [sales.austria@humaneticsatd.com](mailto:sales.austria@humaneticsatd.com)