



Humanetics Innovative Solutions, Inc.

SID-IIs Side Impact Female Dummy

180-0000-H



Brand Harmonized Parts Catalog





For information on Humanetics products, please visit our web site at www.humaneticsatd.com

or contact:

Humanetics Innovative Solutions

23300 Haggerty Road

Farmington Hills, Michigan

48335 USA

Tel: +1 248 778 2000

Fax: +1 248 778 2001

No part of this publication may be reproduced, stored in a retrieval system or transmitted in any form or by any means, electronic, photocopying, recording, mechanical or otherwise, without the express written consent of Humanetics Innovative Solutions.

Copyright © 2017 Humanetics Innovative Solutions, All rights reserved.

The information in this catalog is furnished for informational use only, and is subject to change without notice. Humanetics Innovative Solutions assumes no responsibility or liability for any errors or inaccuracies that may appear in this catalog.

Table of Contents

Head Assembly	4
Neck Assembly.....	5
Neck Mounting	6
Shoulder Rib	7
Thorax and Abdomen Ribs	8
Spine Box Assembly.....	9
Chest Jacket	10
Arm Assembly.....	11
Lower Torso Assembly -1	12
Lower Torso Assembly -2	13
Lower Torso Assembly -3	14
Leg Assembly	15-16
Ankle Assembly	17
Accelerometer Mounts	18
Clothes	18
Misc.....	18

Background

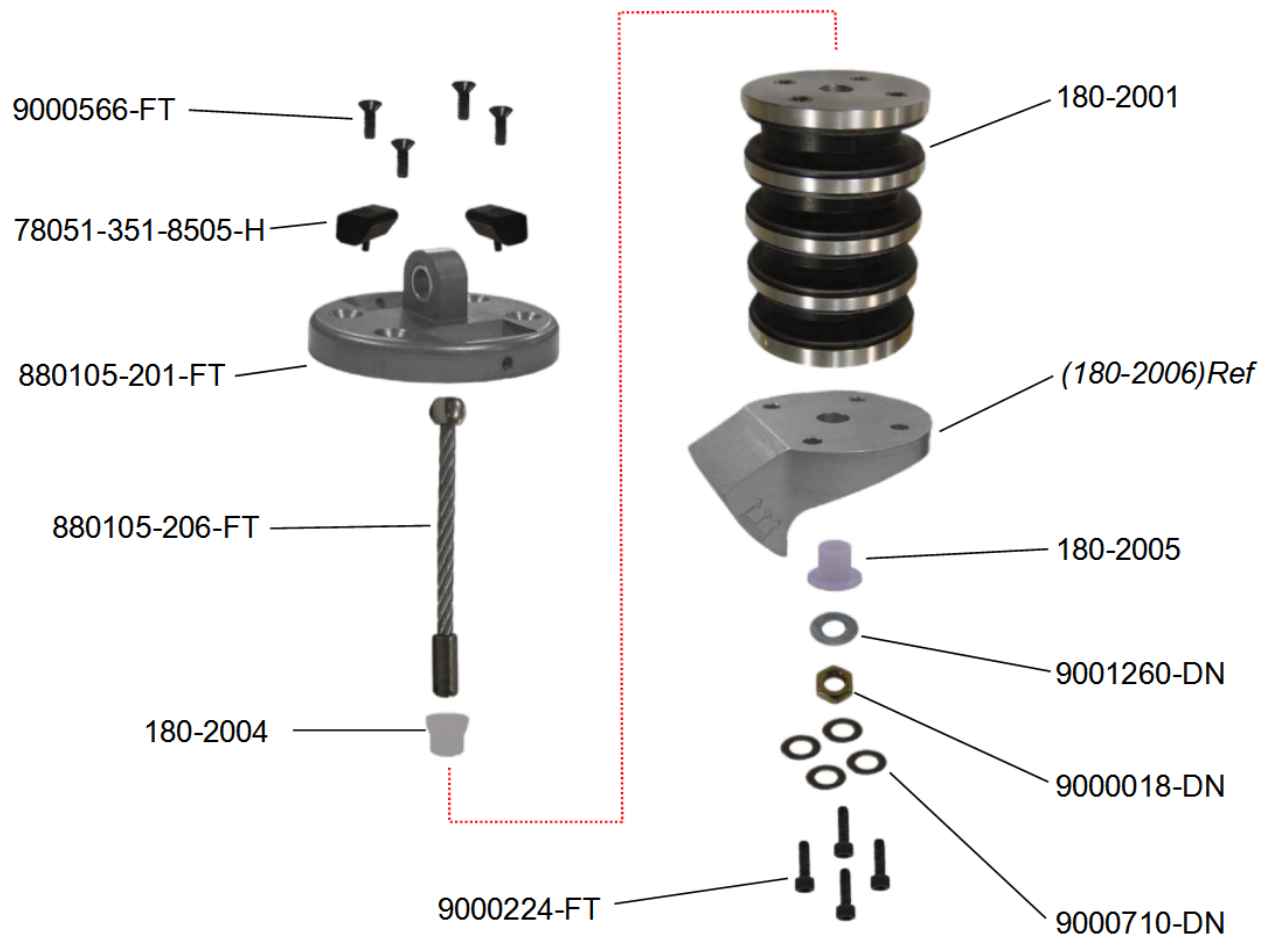
The SID-IIs Small Side Impact Dummy (pronounced SID-2-s) is a new generation crash test dummy to specifically evaluate advanced automotive side impact protection systems, particularly side airbags. SID-IIs was jointly developed in 1994 and 1995 by First Technology Safety Systems (FTSS) and the Occupant Safety Research Partnership (OSRP) of the USCAR program. The dummy has been extensively tested worldwide and is capable of measuring over 100 data channels for injury assessment of the head, neck, arm, thorax, abdomen, pelvis and leg. Anthropometry is based on the Hybrid III 5th Female Dummy and also closely matches size and weight of the 12-13 year old child.

Head Assembly – Harmonized



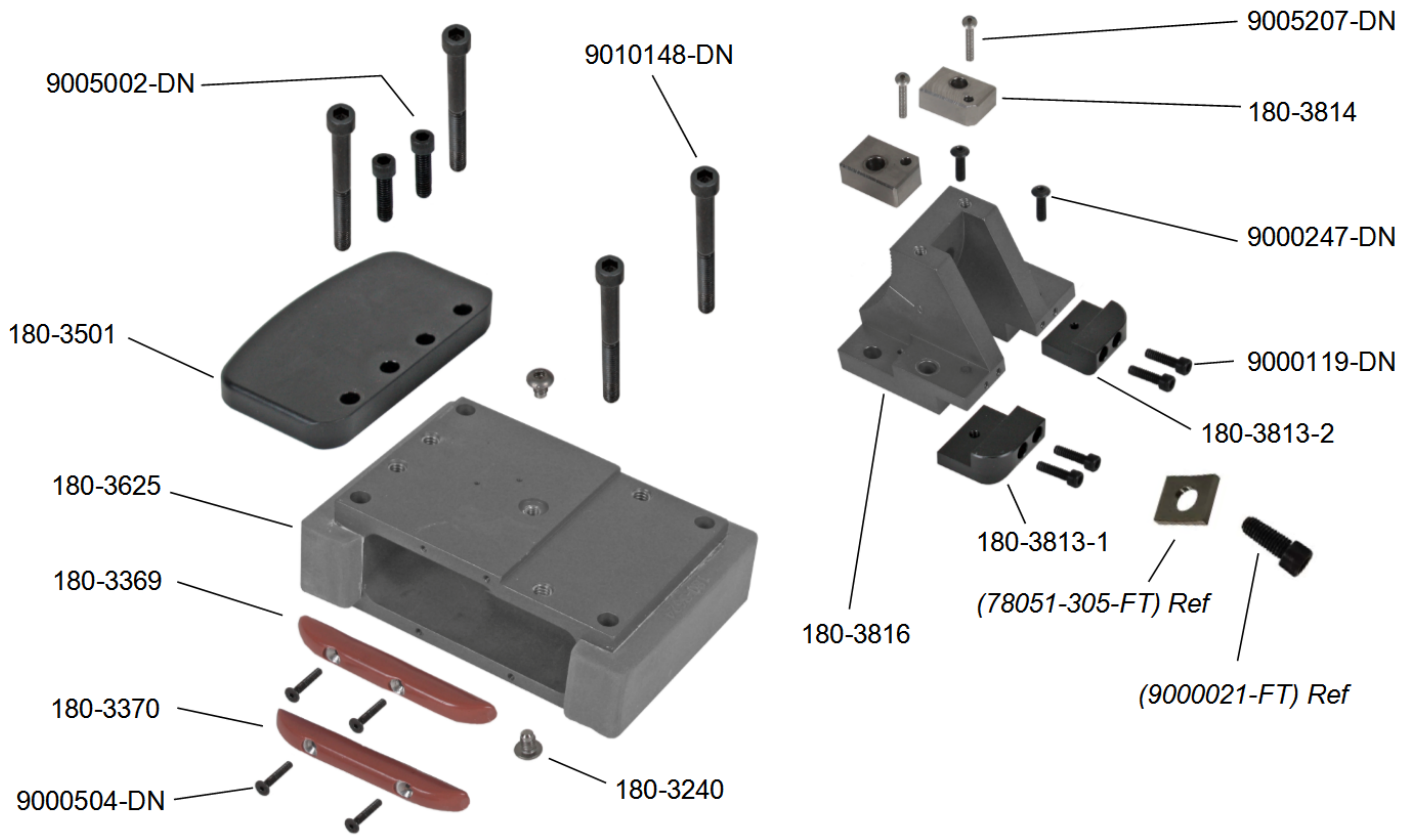
Part Number	Description	Qty. Req'd Per Dummy
180-1000-H	6-Axis Head Assembly	1
180-1002-H	Skin, Head Tested/Certified	1
1717	Pivot Pin - Neck	1
180-1001	Skull, Machined	1
180-1006-H	Skin, Skull Cap	1
78051-253-DN	Washer – Nodding Joint	2
78051-383X-DN	Neck Transducer Structural Replacement	1
880105-103-DN	Skull Cap, Machined	1
9000264-FT	Screw SHCS 1/4-28 X 7/8	4
9000452-DN	Screw, SSCP 8-32 X 1/4	2
9000624-FT	Screw, SHCS 10-24 X 1/2	4
9000677-DN	Washer - .250 ID X .375 OD X .06 THK	4

Neck Assembly



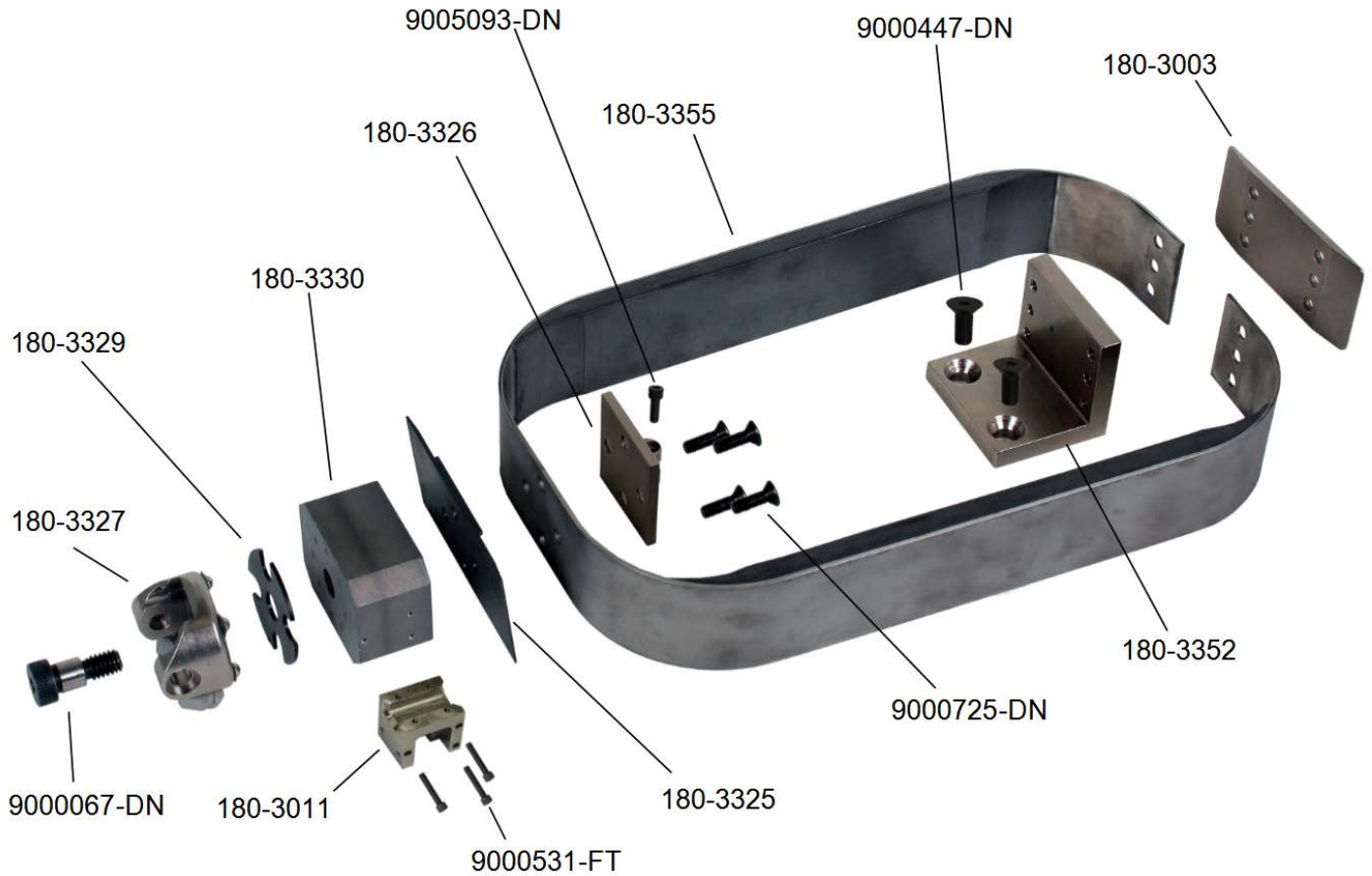
Part Number	Description	Qty. Req'd Per Dummy
180-2000	Neck Assembly Tested/Certified	1
180-2001	Neck Molded Tested/Certified	1
78051-351-8505-H	Nodding Block, 84 – 87 Shore A	2
180-2004	Bushing, Upper Neck	2
180-2005	Bushing, Lower	2
180-2006 (ref)	Bracket, Upper Neck	1
9000224-FT	Screw SHCS 10-24 X 5/8	4
9000566-FT	Screw FHCS 10-24 X 5/8	4
880105-201-DN	Nodding Joint Assembly	1
880105-206-DN	Neck Cable	1
9000018-DN	Nut Hex Jam ½-20	1
9001260-DN	Washer, 1.06 OD X .53 ID X .06 THK	1
9000710-DN	Washer, Flat .218 ID X .375 OD X .03 THK	4

Neck Mounting



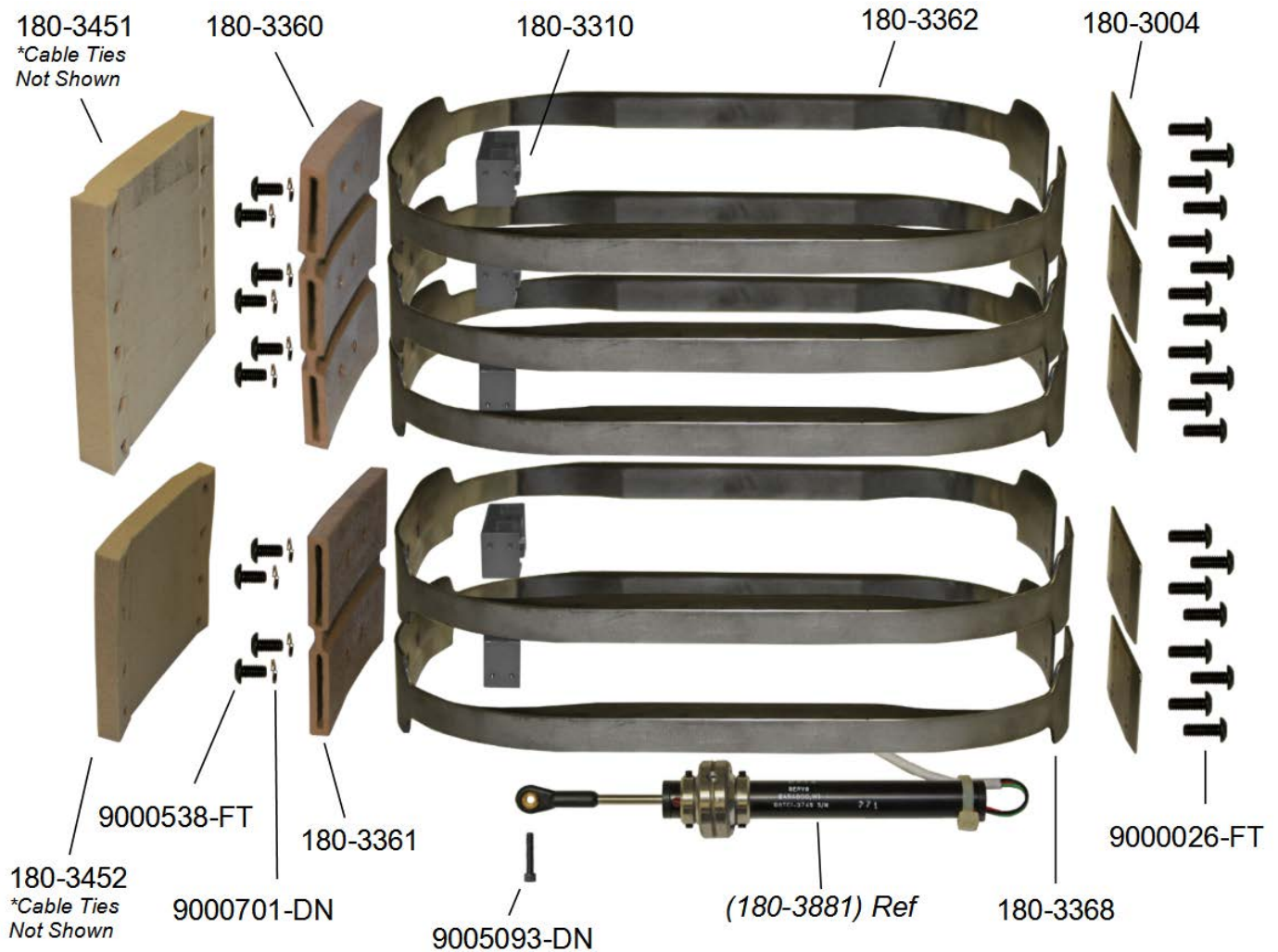
Part Number	Description	Qty. Req'd Per Dummy
180-3000	Upper Torso Assembly	1
180-3815	Structural Replacement, Lwr 1/2 Neck LC	1
180-3816	Bracket, Lower Neck	1
180-3813-1	Rib Stop, Left	1
180-3813-2	Rib Stop, Right	1
9000247-DN	Screw, BHCS 6-32 X 1/2	2
180-3814	Ballast, Lower Neck Bracket	2
9005207-DN	Screw, BHCS 6-32 X 3/4	2
9000119-DN	Screw, SHCS 6-32 X 1/2	4
180-3501	Sternum	1
180-3625	Neck Mount Block Assembly	1
180-3369	Rib Stop Upper Shoulder	1
180-3370	Rib Stop, Lower Shoulder	1
180-3240	Screw Modified Pot Bearing	2
9005002-DN	Screw, SHCS 1/4-20 X 1	2
9010148-DN	Screw, SHCS 1/4-20 X 2 3/4	4
9000504-DN	Screw, FHCS 4-40 X 5/8	4
<i>9000021-FT (ref)</i>	<i>Screw SHCS 3/8-16 X 1 NYLOK</i>	<i>1</i>
<i>78051-305-FT (ref)</i>	<i>Washer, Clamping</i>	<i>1</i>

Shoulder Rib



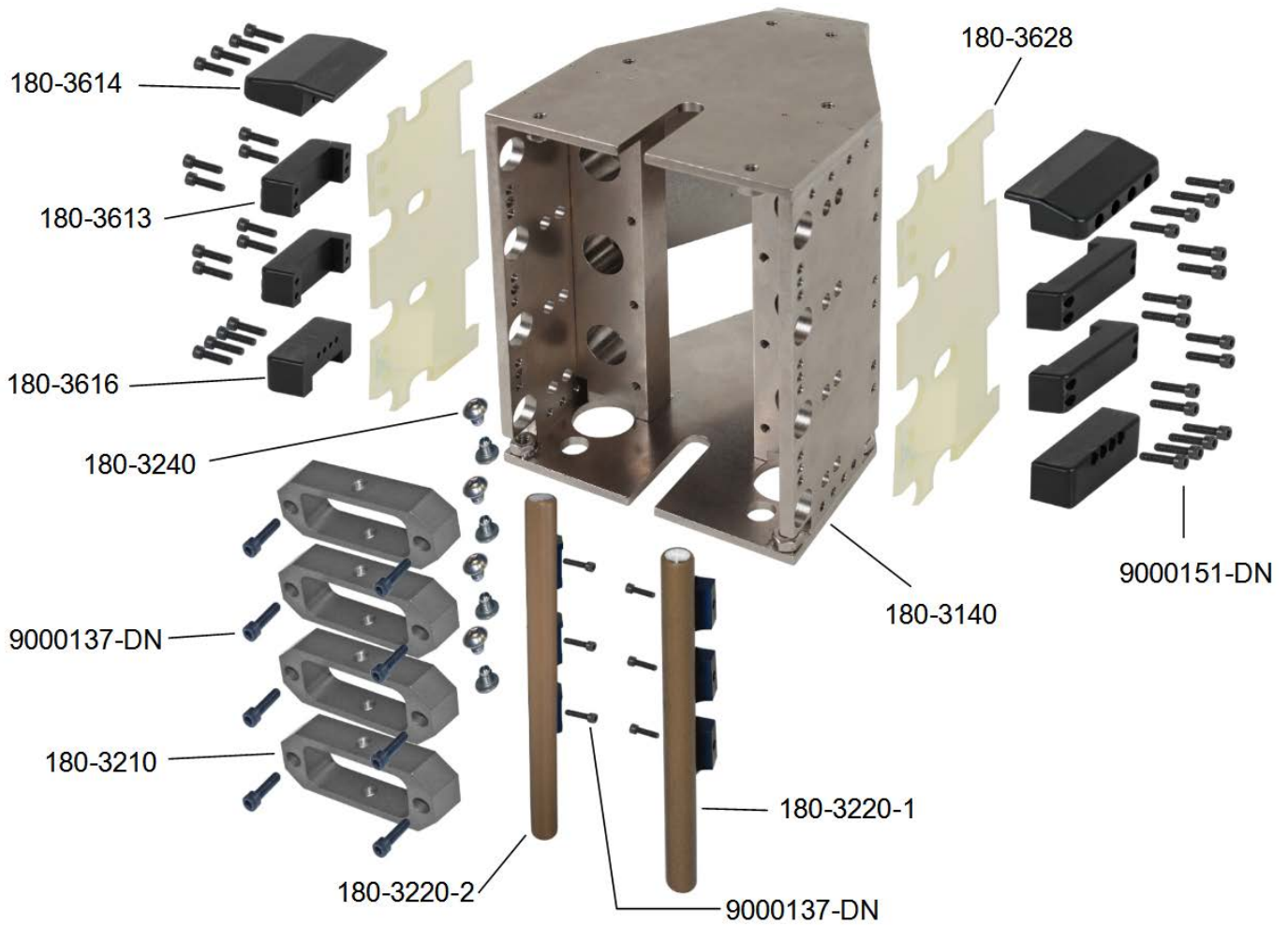
Part Number	Description	Qty. Req'd Per Dummy
180-3000	Upper Torso Assembly (Con't)	1
180-3355	Rib Shoulder & Damping Material Assy, T/C	1
180-3003	Rib Stiffener Shoulder	1
180-3325	Shoulder Rib Stiffener	1
180-3326	Linear Pot Hook Shoulder Rib	1
180-3329	Washer Shoulder	1
180-3011	Mount, LC, Shoulder	1
180-3330	LC Assembly, Shoulder Replacement	1
180-3327	Shoulder Yoke Assembly	1
180-3352	Rib Mount Shoulder	1
9005093-DN	Screw, SHCS 4-40 X 1/2	1
9000447-DN	Screw, FHCS 1/4-20 X 3/4	2
9000067-DN	Screw, SHSS 3/8 X 3/8	1
9000531-FT	Screw, SHCS 2-56 X 5/8	3
9000725-DN	Screw, FHCS 10-32 X 5/8	4

Thorax and Abdomen Ribs



Part Number	Description	Qty. Req'd Per Dummy
180-3000	Upper Torso Assembly (Con't)	1
180-3451	Thorax Pad	1
180-3452	Abdominal Pad	1
180-3360	Upper Bib Ribs 3 Sections	1
180-3361	Lower Bib Ribs 2 Sections	1
180-3362	Thorax Rib/Damp Assy-Untested-Upr Torso	3
180-3368	Abdomen Rib & Damping Mater, Assy-Untested	2
180-3004	Rib Stiffener Lower	5
180-3310	Linear Pot Hook Assy Lower Ribs, Enhanced	5
9000538-FT	Screw, BHCS 10-32 X 3/8	10
9000701-DN	Washer, Lock #10	10
9005093-DN	Screw, SHCS 4-40 X 1/2	1
9000026-FT	Screw, BHCS 10-32 X 1/2	26
*6000004	Cable Tie	10
180-3881 (ref)	Potentiometer 1/2 Inch, Assy - 15' Cable	5

Spine Box Assembly



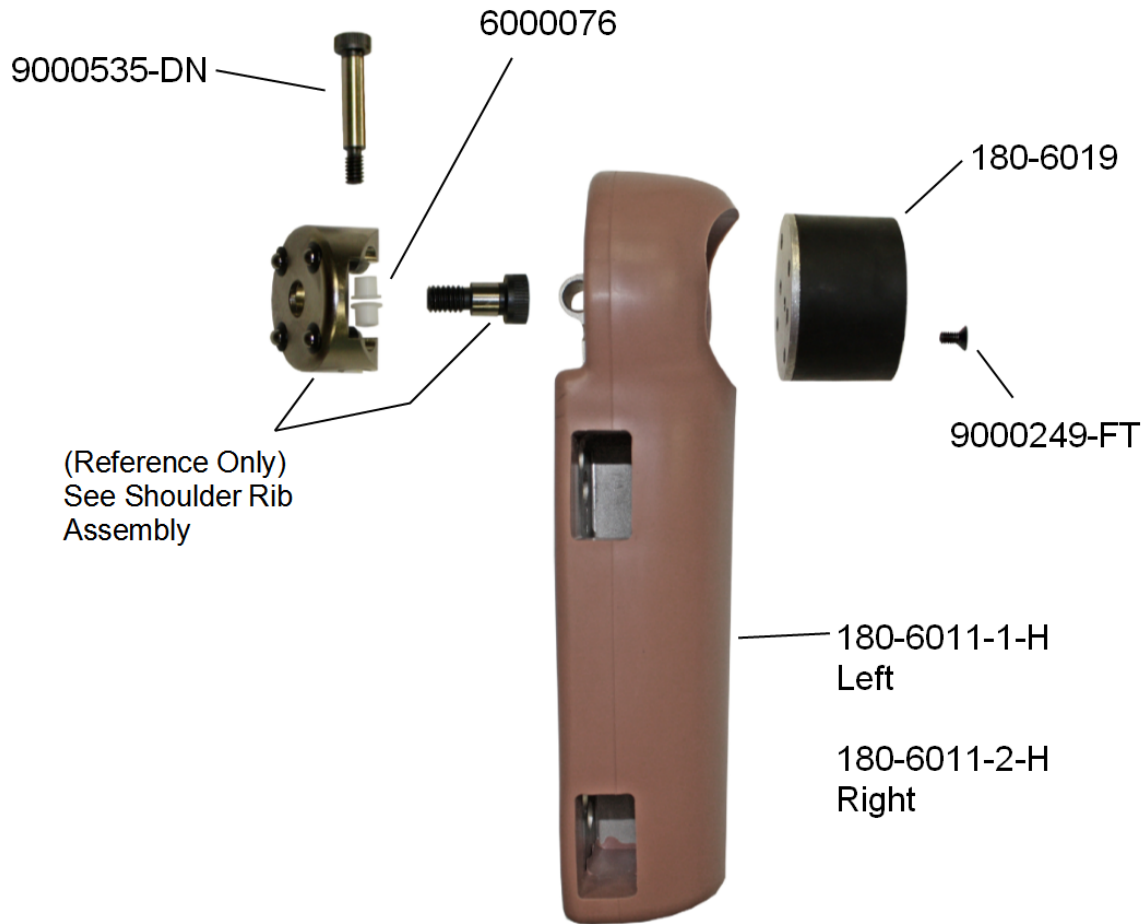
Part Number	Description	Qty. Req'd Per Dummy
180-3000	Upper Torso Assembly (Con't)	1
180-3140	Weldment, Spine Box	1
180-3628	Lower Rib Pad	2
180-3614	Upper Rib Stop	2
180-3613	Middle Rib Stop	4
180-3616	Lower Rib Stop	2
180-3240	Screw Modified Pot Bearing	8
180-3210	Linear Pot Frame Assembly	4
180-3220-1	Rib Stop Assembly A	1
180-3220-2	Rib Stop Assembly B	1
9000137-DN	Screw, SHCS 10-32 X 5/8	14
9000151-DN	Screw, SHCS 10-32 X 3/4	32

Chest Jacket



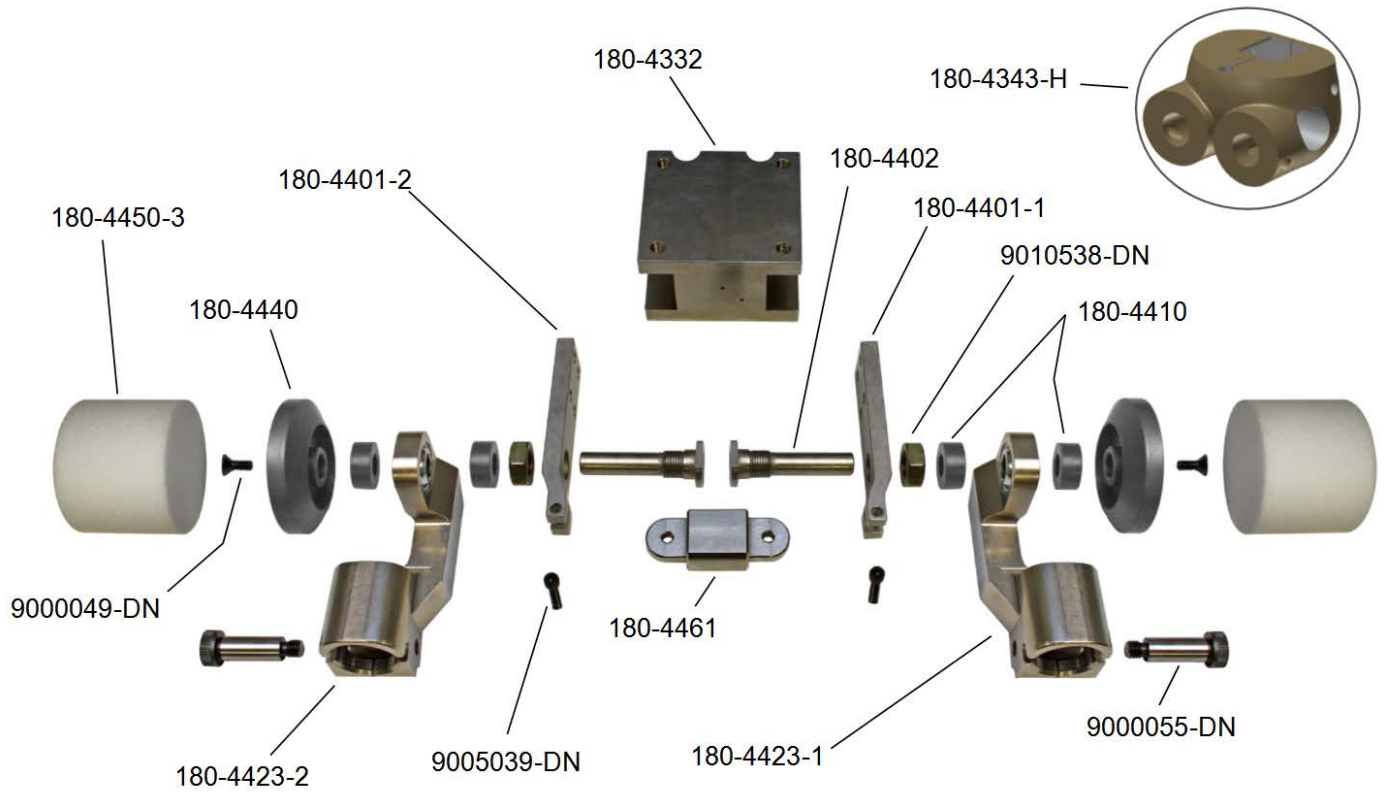
Part Number	Description	Qty. Req'd Per Dummy
180-3000	Upper Torso Assembly (Con't)	1
180-3450	Chest Jacket SID-IIs w/out Inside Pocket	1

Arm Assembly



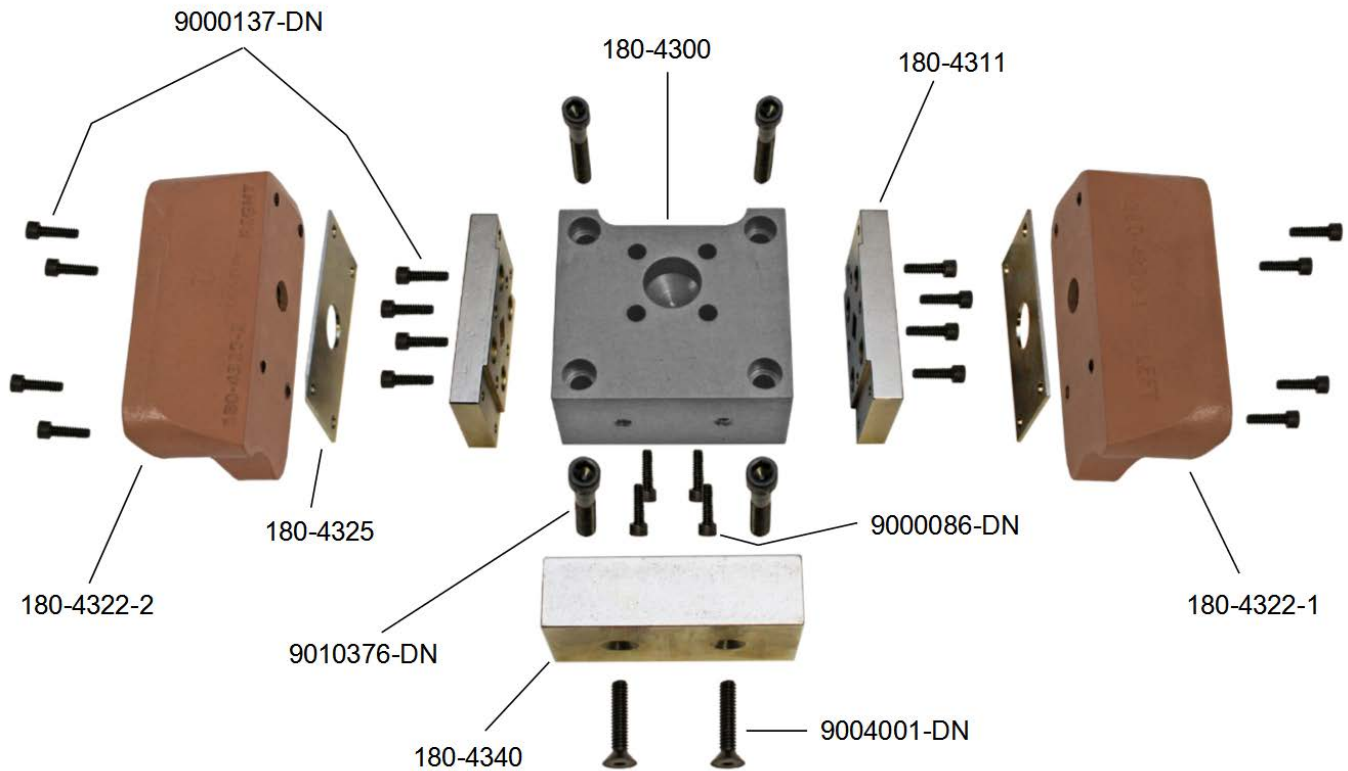
Part Number	Description	Qty. Req'd Per Dummy
180-6000-1-H	Arm Assembly Complete, Left	1
180-6011-1-H	Arm Flesh Molded Left	1
180-6019	Arm Plug Molded	2
6000076	Bearing Flanged 1/4X.251X.377	4
9000535-DN	Screw, SHSS 1/4 X 1	2
9000249-FT	Screw, FHCS 10-32 X 3/8	1
180-6000-2-H	Arm Assembly Complete, Right	1
180-6011-2-H	Arm Flesh Molded Right	1
180-6019	Arm Plug Molded	2
6000076	Bearing Flanged 1/4X.251X.377	4
9000535-DN	Screw, SHSS 1/4 X 1	2
9000249-FT	Screw, FHCS 10-32 X 3/8	1

Lower Torso Assembly – 1



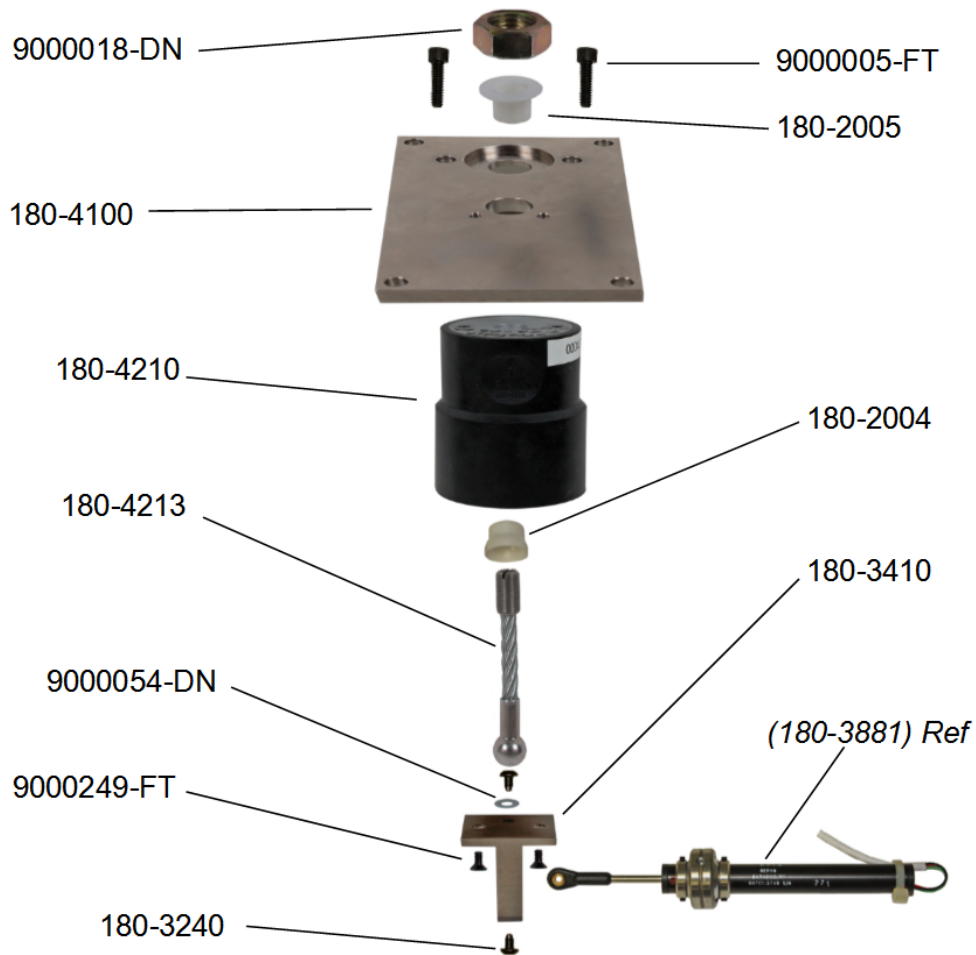
Part Number	Description	Qty. Req'd Per Dummy
180-4000-H	Torso, Lower Assy Complete T/C	1
180-4343-H	Pelvis Flesh, Molded, T/C	1
180-4332	Pelvis Bone Machined	1
180-4401-1	Femur Mount Plate Pelvis, Left	1
180-4401-2	Femur Mount Plate Pelvis, Right	1
180-4402	Femur Holding Shaft, Pelvis	2
180-4410	Inner Bushing	4
180-4423-1	Femur Assembly. Left	1
180-4423-2	Femur Assembly. Right	1
180-4440	LC, Pelvis, Acetabulum Replacement	2
180-4461	Load Cell Pubic Replacement	1
180-4450-3	Pelvis Plug, T/C	2
9010538-DN	Nut, Hex Jam 5/8-18 Locknut	2
9000049-DN	Screw, FHCS 1/4-20 X 5/8	2
9005039-DN	Screw, SHCS 10-32 X 7/8	2
9000055-DN	Screw, SHSS 1/2 X 1 1/4	2

Lower Torso Assembly – 2



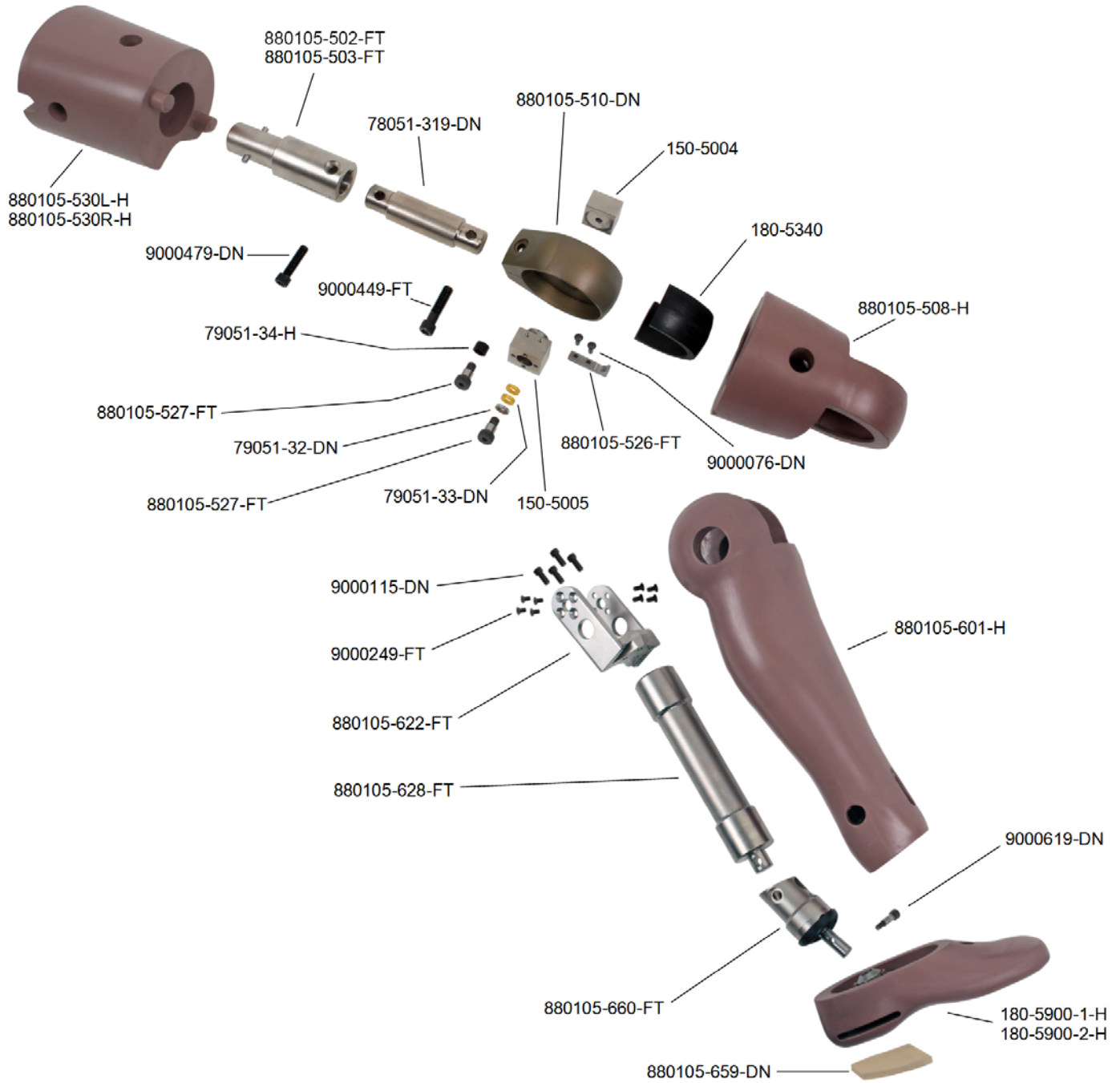
Part Number	Description	Qty. Req'd Per Dummy
180-4000-H	Torso, Lower Assy Complete T/C (Con't)	1
180-4300	LC, Lumbar Spine Replacement	1
180-4311	LC, Wing Replacement	2
180-4325	Iliac Wing Backer Plate	2
180-4322-1	Iliac Wing Molded Left, Pelvis	1
180-4322-2	Iliac Wing Molded Right, Pelvis	1
180-4340	Lumbar Ballast BLK –Structural Replacement	1
9000137-DN	Screw, SHCS 10-32 X 5/8	16
9010376-DN	Screw, SHCS 5/16-18 X 1-3/4	4
9004001-DN	Screw, FHCS 1/4-20 X 1 1/4	2
9000086-DN	Screw, SHCS 1/4-20 X 7/8	4

Lower Torso Assembly – 3



Part Number	Description	Qty. Req'd Per Dummy
180-4000-H	Torso, Lower Assy Complete T/C (Con't)	1
180-4100	Lumbar Mounting Plate	1
180-4210	Lumbar Spine Molded	1
180-2004	Bushing, Upper Neck	1
180-2005	Bushing, Lower	1
180-4213	Cable Lumbar, Machined	1
180-3410	Linear Pot Frame Bottom Rib	1
180-3240	Screw Modified Pot Bearing	1
9000018-DN	Nut Hex Jam ½-20	1
9000054-DN	Washer, Flat #10 X .500 .049	1
9000249-FT	Screw, FHCS 10-32 X 3/8	2
9000005-FT	Screw SHCS 1/4-20 X 5/8 Nylok	6
<i>180-3881 (ref)</i>	<i>Potentiometer ½ Inch, Assy – 15' Cable</i>	<i>1</i>

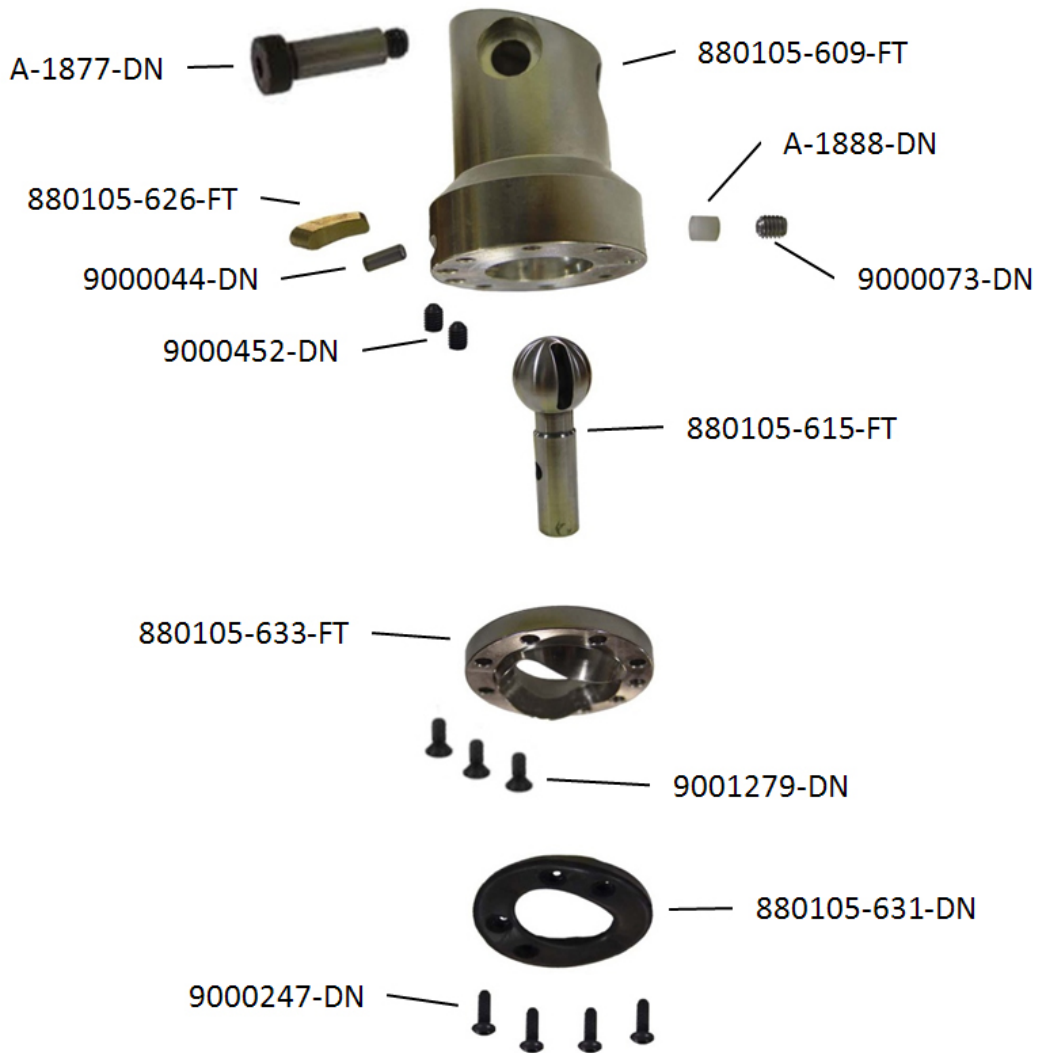
Leg Assembly



Part Number	Description	Qty. Req'd Per Dummy
180-5000-1	Leg Assembly, Left	1
9000449-FT	Screw, SHCS 3/8-16 x 1-3/4	2
9000249-FT	Screw, FHCS 10-32 x 3/8	16
9000619-DN	Screw, SHSS 1/4 x 5/8	2

880105-530L-H	Upper Leg Flesh, Left	1
880105-502-FT	Leg Weldment, Upper, Left	1
78051-319-DN	Load Cell Simulator	2
9000479-DN	Screw, SHCS 3/8-16 x 1-1/2	2
150-5003-1	Knee Assembly, Left	1
150-5004	Structural Replacement Knee, Inboard	2
150-5005	Structural Replacement Knee, Outboard	2
880105-510-DN	Knee Cap, Machined Assembly	2
180-5340	Knee Flesh Insert	2
880105-508-H	Knee Flesh/Skin	2
79051-34-H	Rotation Stop Cover	2
880105-527-FT	Shoulder Bolt, Sliding Knee	4
79051-32-DN	Washer, Sliding Knee	2
79051-33-DN	Compression Washer	4
880105-601-H	Lower Leg Flesh	2
880105-603-FT	Lower Leg Structural Replacement	2
9000115-DN	Screw, SHCS 1/4-28 x 1/2	8
880105-622-FT	Knee Clevis Weldment	2
880105-628-FT	Lower Leg Structural Weldment	2
880105-660-FT	Ankle Assembly with Flange <i>See Detailed Assembly following</i>	2
180-5900-1-H	Foot Assy Molded, Left, Untested	1
880105-659-DN	Heel Pad Foam	2
180-5000-2	Leg Assembly, Right	1
9000449-FT	Screw, SHCS 3/8-16 x 1-3/4	2
9000249-FT	Screw, FHCS 10-32 x 3/8	16
9000619-DN	Screw, SHSS 1/4 x 5/8	2
880105-530R-H	Upper Leg Flesh, Right	1
880105-503-FT	Leg Weldment, Upper, Right	1
78051-319-DN	Load Cell Simulator	2
9000479-DN	Screw, SHCS 3/8-16 x 1-1/2	2
150-5003-2	Knee Assembly, Right	1
150-5004	Structural Replacement Knee, Inboard	2
150-5005	Structural Replacement Knee, Outboard	2
880105-510-DN	Knee Cap, Machined Assembly	2
180-5340	Knee Flesh Insert	2
880105-508-H	Knee Flesh/Skin	2
79051-34-H	Rotation Stop Cover	2
880105-527-FT	Shoulder Bolt, Sliding Knee	4
79051-32-DN	Washer, Sliding Knee	2
79051-33-DN	Compression Washer	4
880105-601-H	Lower Leg Flesh	2
880105-603-FT	Lower Leg Structural Replacement	2
9000115-DN	Screw, SHCS 1/4-28 x 1/2	8
880105-622-FT	Knee Clevis Weldment	2
880105-628-FT	Lower Leg Structural Weldment	2
880105-660-FT	Ankle Assembly with Flange <i>See Detailed Assembly following</i>	2
180-5900-2-H	Foot Assy Molded, Right, Untested	1
880105-659-DN	Heel Pad Foam	2

Ankle Assembly – Harmonized



Part Number	Description	Qty. Req'd Per Dummy
880105-660-FT	Ankle Assembly with Flange	1
880105-609-FT	Ankle, Upper Shell	1
880105-633-FT	Ankle, Lower Shell	1
880105-615-FT	Ankle Shaft	1
880105-626-FT	Stop Pin Retainer	1
9000044-DN	Pin, Dowel 3/16 x 3/8	1
A-1888-DN	Ankle Friction Pad	1
9000073-DN	Screw, SSCP 5/16-18 x 3/8	1
9000452-DN	Screw, SSCP 8-32 x 1/4	2
9000247-DN	Screw, BHCS 6-32 x 1/2	4
A-1887-DN	Ankle to Leg Attachment Bolt	1
9001279-DN	Screw, FHCS 6-32 x 1/2	3
880105-631-DN	Ankle Bumper (Rubber)	1

Accelerometer Mounts

Accelerometer Type	Complete Dummy (180-0000-H)	Components			
		(180-1000-H)	(180-3000-H)	(180-4000-H)	(180-6000-1-H/-2-H)
		Head	Chest	Pelvis	Arm
Endevco					
7264-2000	1032224	1032289	1032290	1032291	1032292
7264A-2000	1032236	1032293	1032295	1032296	1032294
7264B-2000	1032236	1032293	1032295	1032296	1032294
7264C-2000	1032224	1032289	1032290	1032291	1032292
Entran					
EGAS-FT-500	1032359	1032360	1032362	1032363	1032364
Kyowa					
ASM-200BA	1032383	1032374	1032384	1032385	1032386

Clothes

Part Number	Description	Qty. Req'd Per Dummy
180-3450	Chest Jacket SID-IIs w/out Inside Pocket	1
6001481	Shirt Short Sleeve, SM 100 Percent Cotton	1
6001482	Pant Above Knee, SM, 100 Percent Cotton	1
6001525	Shoes, Women's Black Oxford 7 1/2E MIL-S-21711E (pair)	1
180-2020	Neck Shield	1

Misc.

Part Number	Description	Qty. Req'd Per Dummy
180-9900	User Manual -SIDIIs	1
78051-231-H	Lifting Ring	1
9001284-FT	Hex Wrenches T-Handle Ball End 3/32-3/8	1
DS-200-52D	Skin Patch Material, Euro Brown	1