

## Humanetics Innovative Solutions, Inc.

Q6 Child Dummy  
(Advanced 6 year old child)  
033-0001-B



Parts Catalog





For information on Humanetics products, please visit our web site at [www.humaneticsatd.com](http://www.humaneticsatd.com)

or contact:

Humanetics Innovative Solutions  
23300 Haggerty Road  
Farmington Hills, MI 48335  
Telephone: 734-451-7878  
Fax: 734-451-9549

No part of this publication may be reproduced, stored in a retrieval system or transmitted in any form or by any means, electronic, photocopying, recording, mechanical or otherwise, without the express written consent of Humanetics Innovative Solutions.

Copyright © 2019 Humanetics Innovative Solutions, All rights reserved.

The information in this catalog is furnished for informational use only, and is subject to change without notice. Humanetics Innovative Solutions assumes no responsibility or liability for any errors or inaccuracies that may appear in this catalog.

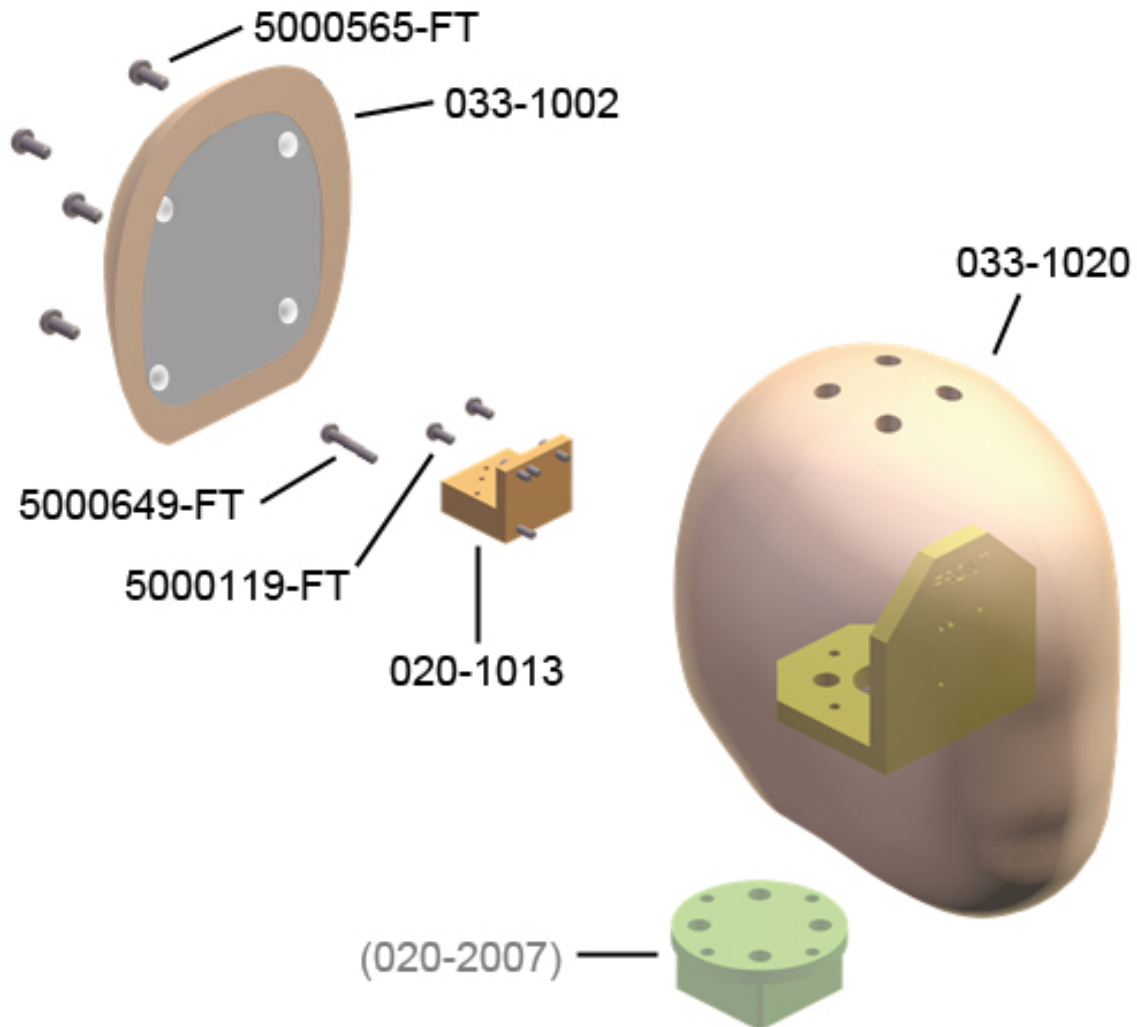
## Table of Contents

Head Assembly .....	4
Neck Assembly.....	5
Torso Assembly.....	6 – 7
Front IR-TRACC Mounting .....	8
Side IR-TRACC Mounting .....	9
Lumbar Assembly .....	10
Pelvis Assembly .....	11
Arm Assembly.....	12
Leg Assembly .....	13
Accelerometer Mounts .....	14
Clothes/Misc.....	15

## Background

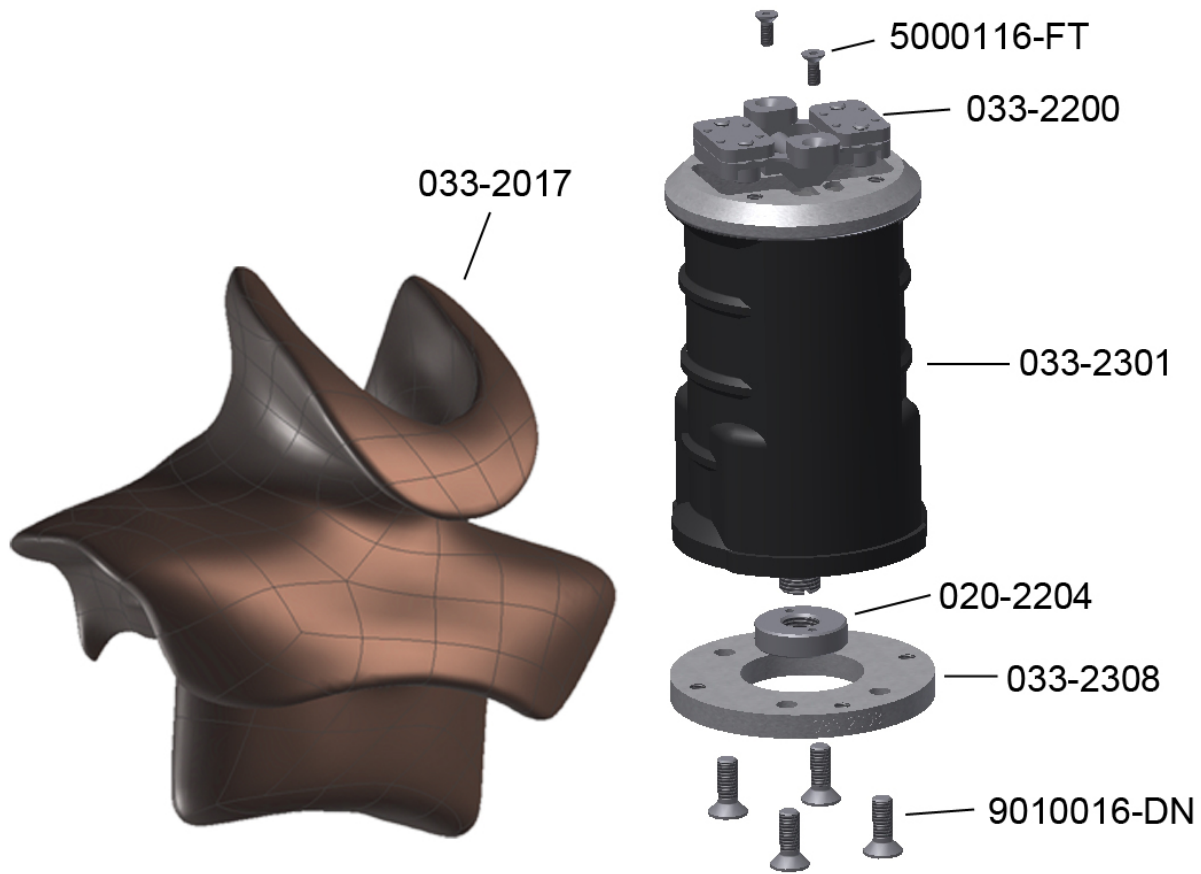
In 1993 the international Child Dummy Working Group started with the development of a new series of child dummies as a successor to the P-series. This new series was called the Q-series. The Q6 dummy is suitable for frontal as well as side impact CRS evaluations, to be used for both homologation, consumer rating and research purposes.

### Head Assembly



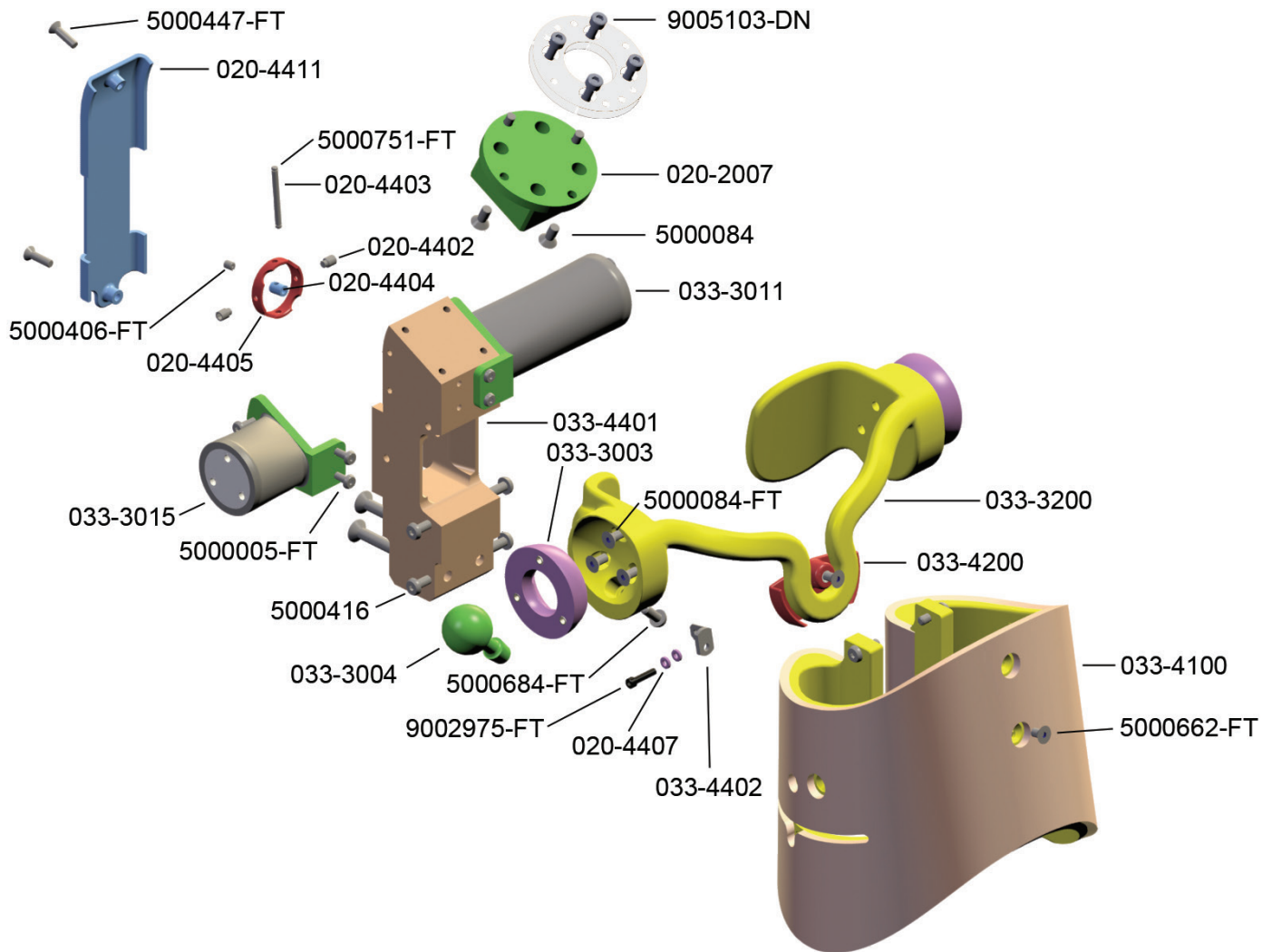
Part Number	Description	Qty. Req'd Per Dummy
<b>033-1100</b>	<b>HEAD ASSY - Q6 - T/C</b>	<b>1</b>
033-1020	HEAD FRONT ASSY T/C - REV B	1
033-1002	SKULL CAP REAR ASSY	1
5000565-FT	SCREW BHCS M5 X 0.8 X 12 18-8 SS	4
020-1013	BRACKET ASSY, HEAD ACCEL MOUNT	1
5000119-FT	SCREW SHCS M3 X 0.5 X 10	2
5000649-FT	SCREW SHCS M3 X 0.5 X 40	1
(020-2007)	LC STRUCTURAL REPLACEMENT (QB.CB)	1

**Neck Assembly**



<i>Part Number</i>	<i>Description</i>	<i>Qty. Req'd Per Dummy</i>
<b>033-2300</b>	<b>NECK ASSY, W/CBL ASSY, T/C Q6</b>	<b>1</b>
033-2301	NECK MOLDED - Q6 - T/C	1
033-2200	NECK CABLE ASSY - Q6	1
020-2204	Nut (Included in cable assy)	1
5000116-FT	SCREW FHCS M3 X 0.5 X 8	2
033-2308	PLATE, NECK INTERFACE	1
9010016-DN	SCREW, FHCS M5 X 14	4
033-2017	NECK SHIELD FRONTAL	1

### Torso Assembly

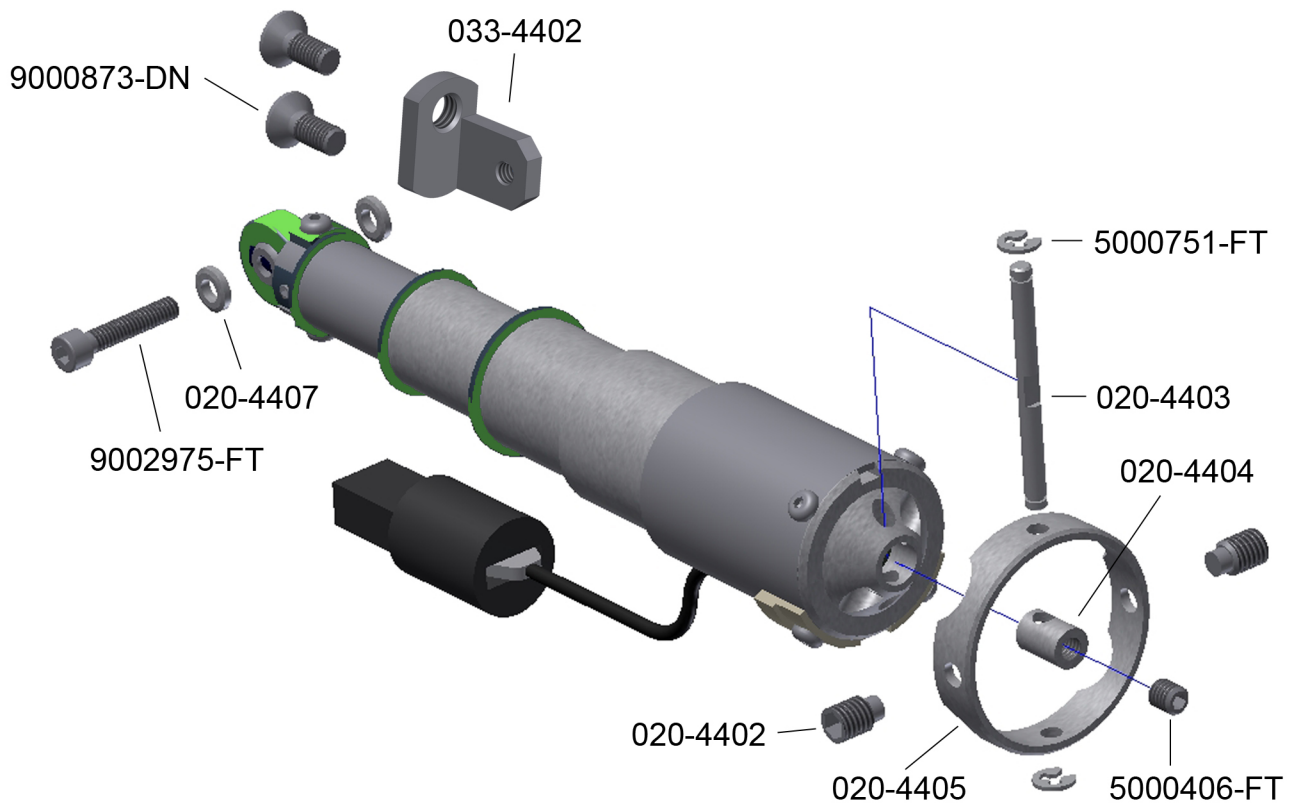


Part Number	Description	Qty. Req'd Per Dummy
<b>033-4000</b>	<b>TORSO ASSY Q6 T/C</b>	<b>1</b>
033-4401	THORACIC SPINE FRONTAL, ITRACC	1
033-4402	BRACKET ATTACHMENT - ITRACC	1
5000003-FT	SCREW BHCS M5 X 0.8 X 10	4
5000662-FT	SCREW FHCS M5 X 0.8 X 8 18-8 SS	1
9002975-FT	SCREW SHCS 5-40 X 5/8	1
020-4407	SPACER ITRACC ATTACHMENT	2
5000416-FT	SCREW BHCS M5 X 0.8 X 16	6
9005103-DN	SCREW, SHCS M5 X 12	8
5000096-FT	SCREW FHCS M5 X 0.8 X 12	5
033-4100	RIB CAGE ASSY Q6 - T/C	1

---

033-3011	SHOULDER SPINE INTERFACE RH (RUBBER)	1
5000005-FT	SCREW BHCS M4 X 0.7 X 12	8
033-3015	SHOULDER SPINE INTERFACE LH (RUBBER)	1
033-3200	CLAVICLE MOLDING FRONTAL	1
5000084-FT	SCREW FHCS M5 X 0.8 X 10	6
033-4200	CLAVICLE RETAINER	1
033-3004	SHOULDER BALL	2
5000684-FT	SCREW BHCS M5 X 0.8 X 14 18-8 SS	2
033-3003	SHOULDER BALL RETAINER RING	2
020-4405	GIMBAL RING	1
020-4402	PIVOT PIN - GIMBAL	2
020-4403	SHAFT GIMBAL	1
020-4404	SHAFT LOCKING BOSS	1
5000406-FT	SCREW SSCP M4 X 0.7 X 5 18-8 SS	1
020-4411	CABLE GUIDE	1
5000447-FT	SCREW FHCS M4 X 0.7 X 16 18-8 SS	2
5000751-FT	RING RETAINING EXTERNAL E-TYPE 3 MM	2
020-9902	LUMBAR SPINE MOUNTING SCREW	2
020-2007	LC STRUCTURAL REPLACEMENT (QB.CB)	1

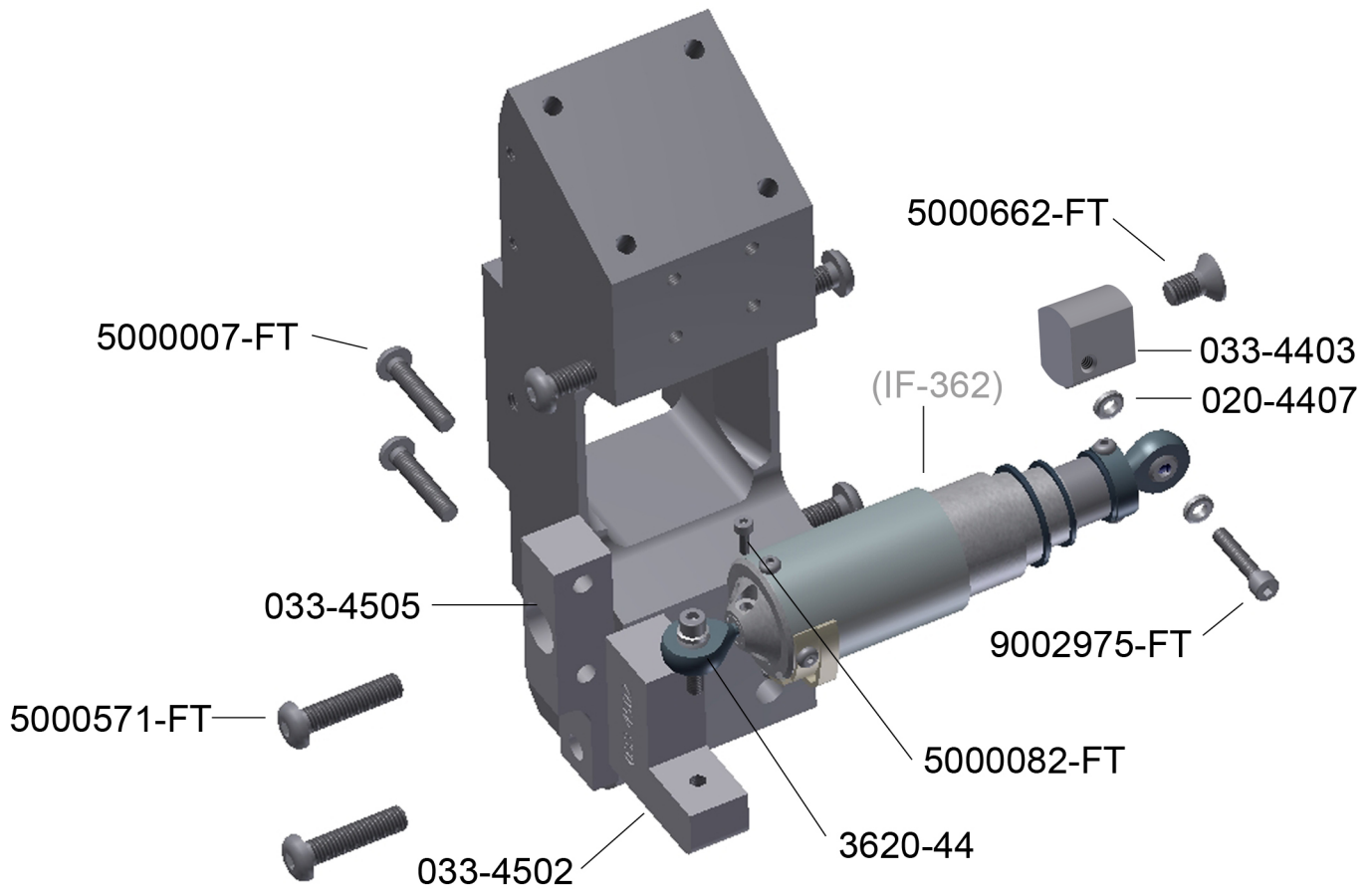
### Frontal IR-TRACC Mounting



Part Number	Description	Qty. Req'd Per Dummy
<b>033-4000</b>	<b>TORSO ASSY Q6 T/C (Con't)</b>	<b>1</b>
020-4405	GIMBAL RING	1
020-4402	PIVOT PIN - GIMBAL	2
020-4403	SHAFT GIMBAL	1
020-4404	SHAFT LOCKING BOSS	1
020-4407	SPACER ITRACC ATTACHMENT	2
033-4402	BRACKET ITRACC - ATTACHMENT	1
5000406-FT	SCREW SSCP M4 X 0.7 X 5 18-8 SS	1
9000873-DN	SCREW, FHCS M4 X 12MM LONG	2
9002975-FT	SCREW SHCS 5-40 X 5/8	1
5000751-FT	RING RETAINING EXTERNAL E-TYPE 3 MM	2
(IF-362)	ITRACC, Q's,H3-50TH,H3-5TH THMPHR (Reference)	1

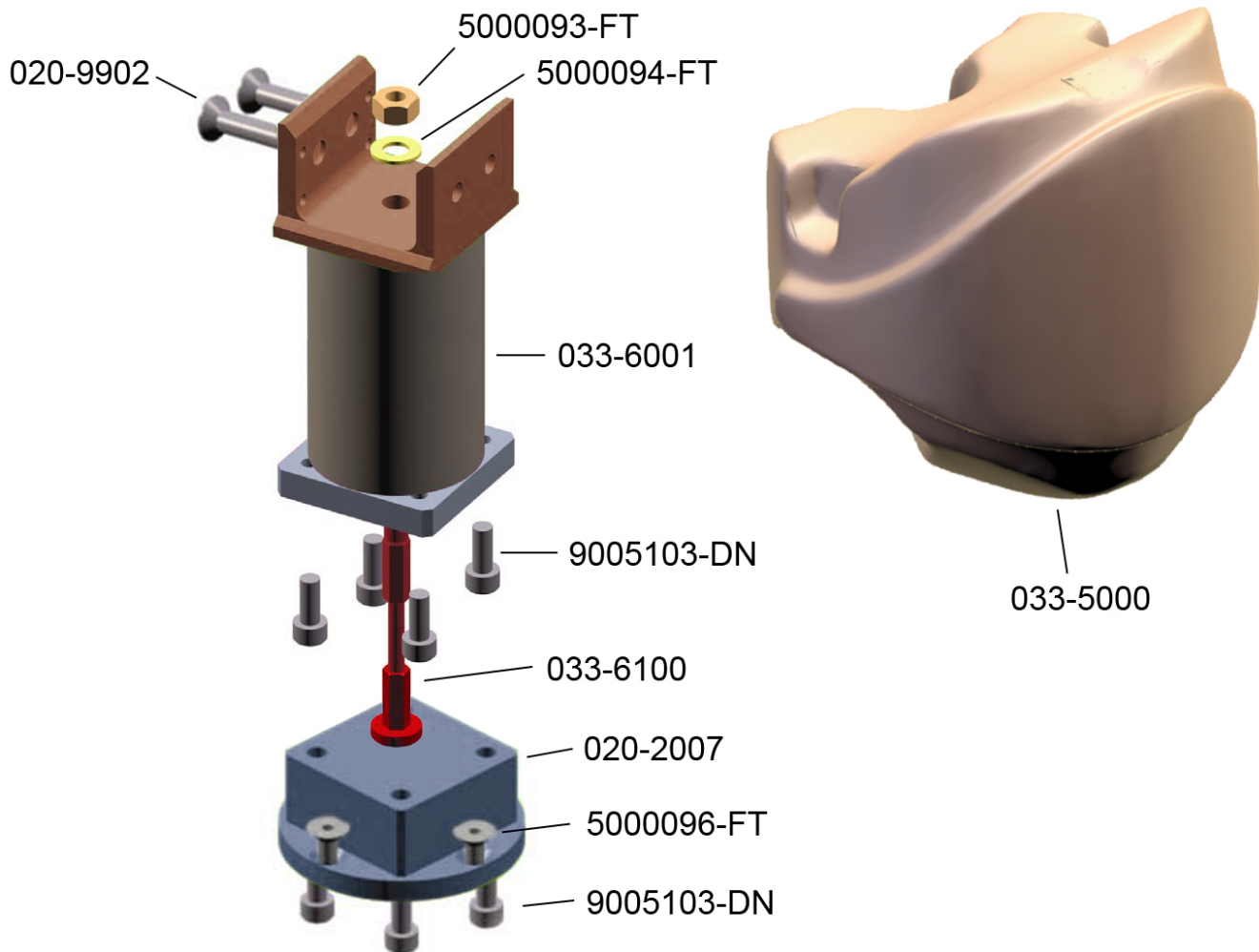


**Side IR-TRACC Mounting (Optional)**



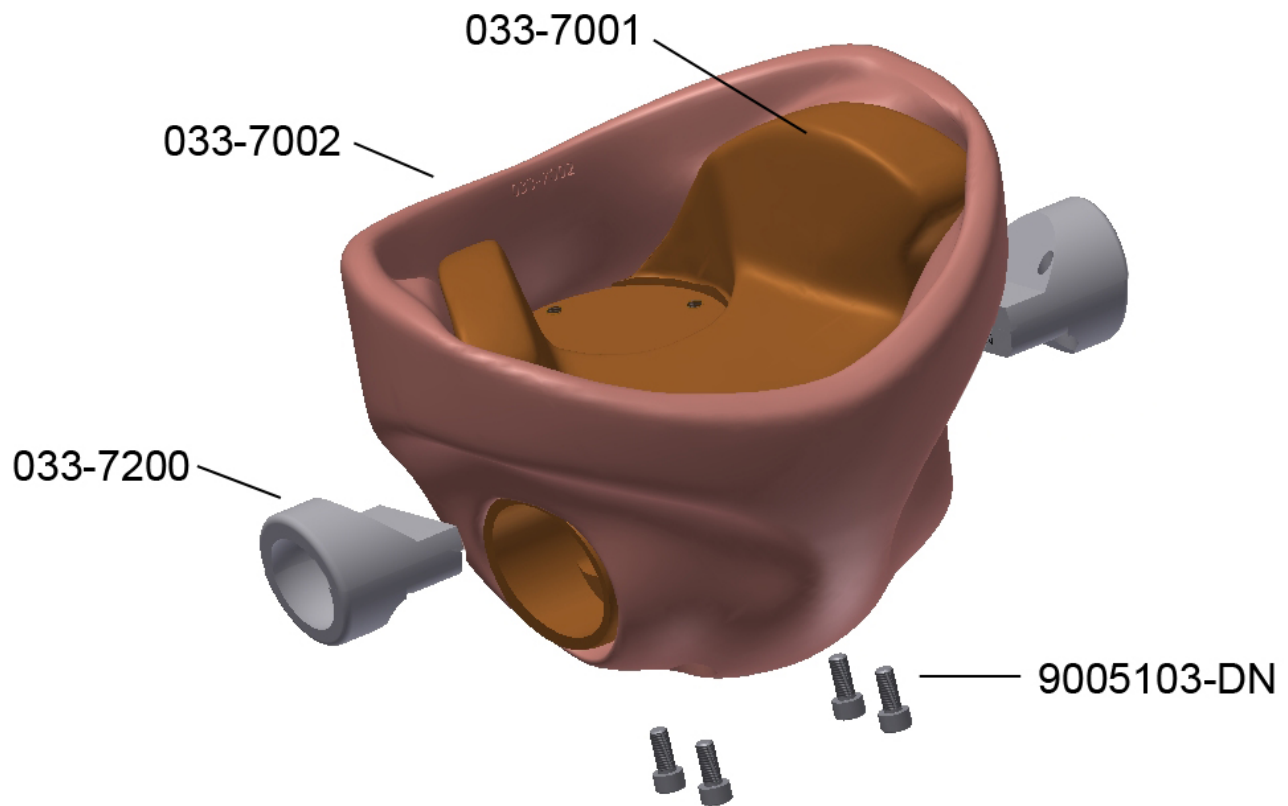
Part Number	Description	Qty. Req'd Per Dummy
<b>033-4000</b>	<b>TORSO ASSY Q6 T/C (Con't)</b>	<b>1</b>
033-4403	BRACKET ATTACHMENT SIDE- IRTRACC	1
5000662-FT	SCREW FHCS M5 X 0.8 X 8 18-8 SS	1
033-4505	BRACKET - IRTRACC	1
033-4502	BRACKET ARM - IRTRACC	1
5000571-FT	SCREW BHCS M5 X 0.8 X 22	2
5000007-FT	SCREW, BHCS M4 X 0.7 X 20	2
020-4407	SPACER IRTRACC ATTACHMENT	4
9002975-FT	SCREW SHCS 5-40 X 5/8	2
3620-44	ROD END MOUNT, BASE END	2
5000082-FT	SCREW SHCS M2 X 0.4 X 6	1
(IF-362)	IRTRACC, Q's,H3-50TH,H3-5TH THMPHR (Reference)	1

**Lumbar and Abdomen**



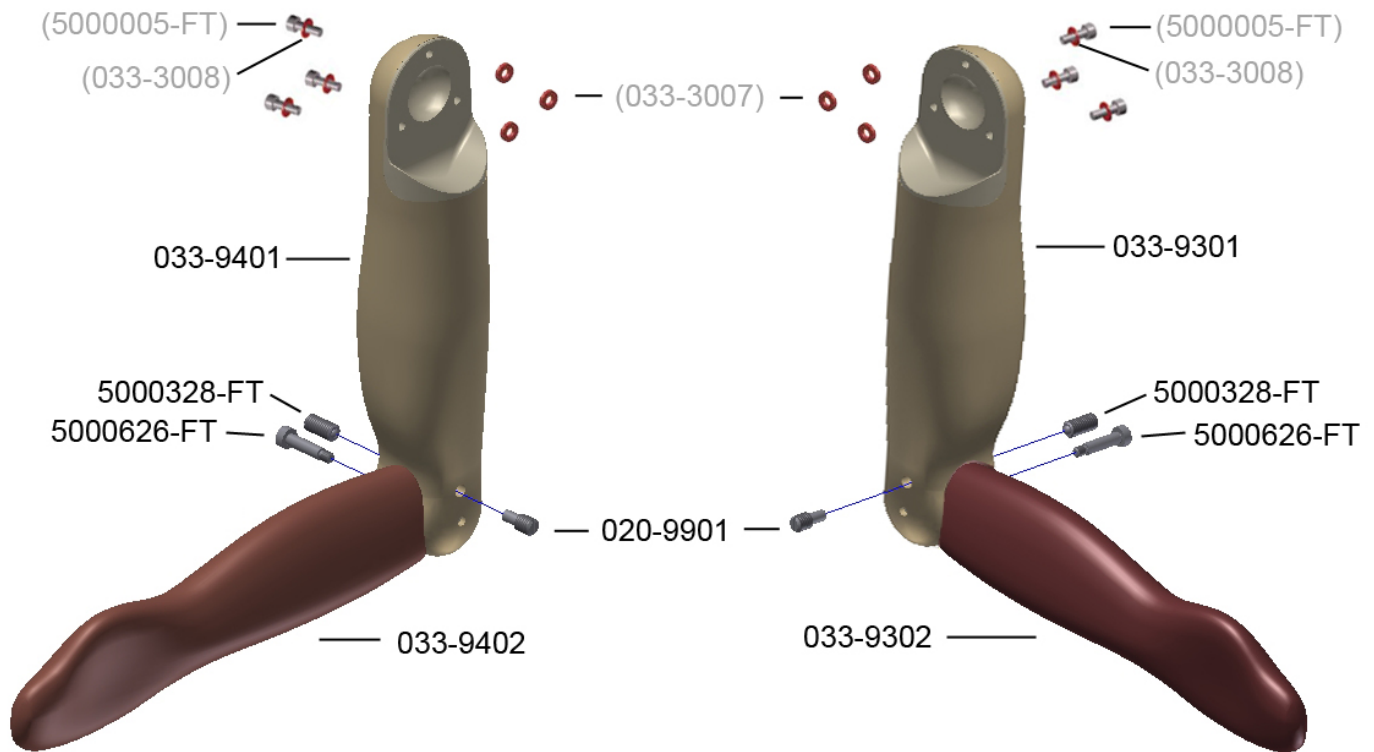
<i>Part Number</i>	<i>Description</i>	<i>Qty. Req'd Per Dummy</i>
<b>033-4000</b>	<b>TORSO ASSY Q6 T/C (Con't)</b>	<b>1</b>
<b>033-6000</b>	<b>LUMBAR SPINE ASSY, T/C Q6</b>	<b>1</b>
033-6001	LUMBAR SPINE MOLDING - Q6	1
033-6100	LUMBAR SPINE CABLE ASSY	1
5000093-FT	NUT HEX NYLON INSERT M6 X 1 ZINC	1
5000094-FT	WASHER FLAT M6 (6.7 X 12.5 X 1) SS	1
020-9902	LUMBAR SPINE MOUNTING SCREW	2
5000096-FT	SCREW FHCS M5 X 0.8 X 12	4
9005103-DN	SCREW, SHCS M5 X 12	4
020-2007	LC STRUCTURAL REPLACEMENT (QB.CB)	1
033-5000	ABDOMEN - Q6 - T/C	1

**Pelvis**



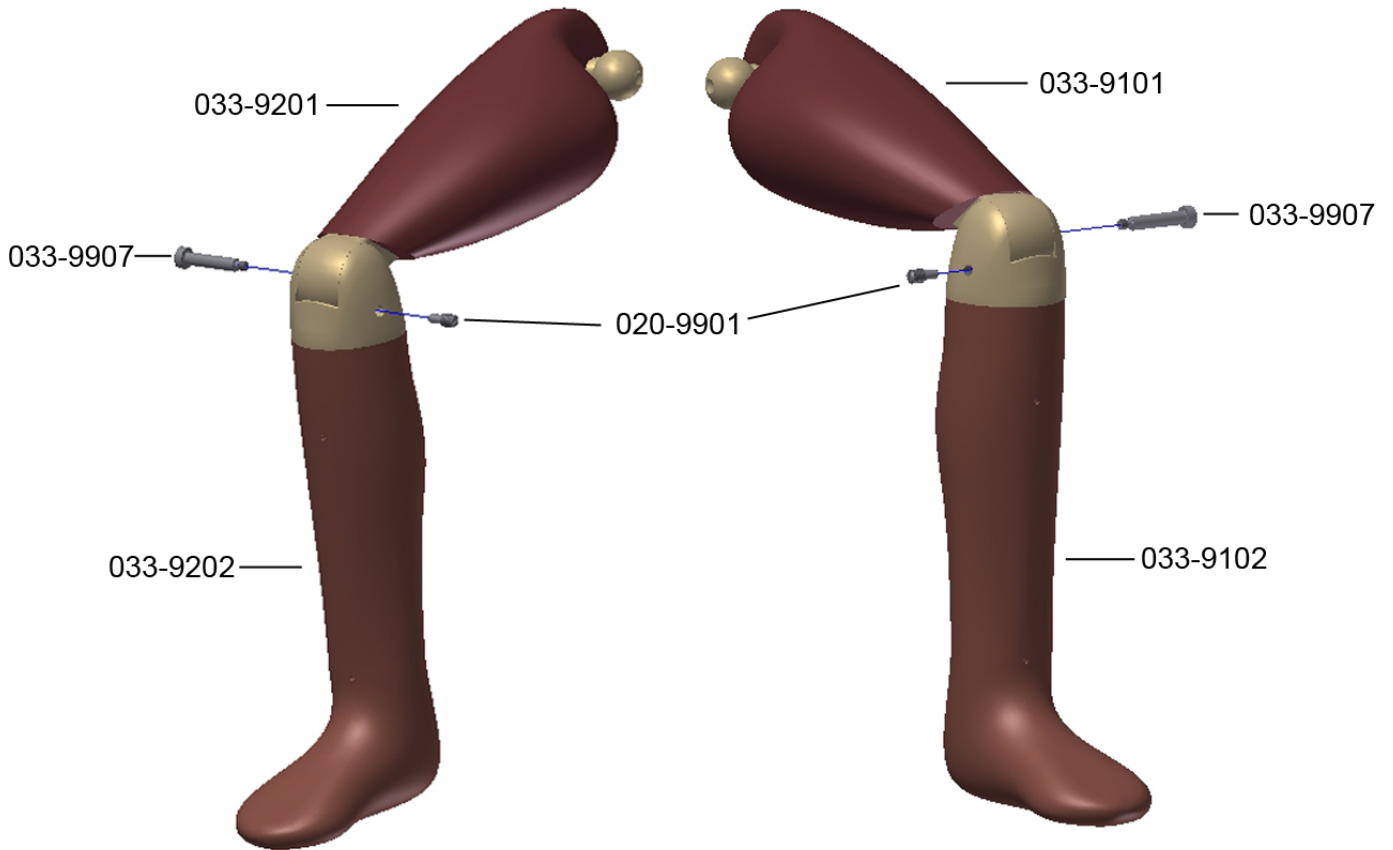
<i>Part Number</i>	<i>Description</i>	<i>Qty. Req'd Per Dummy</i>
<b>033-4000</b>	<b>TORSO ASSY Q6 T/C (Con't)</b>	<b>1</b>
<b>033-7000</b>	<b>PELVIS ASSY- Q6</b>	<b>1</b>
033-7002	PELVIS SKIN	1
033-7001	PELVIS MACHINED	1
9005103-DN	SCREW, SHCS M5 X 12	4
5000005-FT	SCREW BHCS M4 X 0.7 X 12	4
033-7200	HIP CUP ASSEMBLY, Q6	2

**Arms**



Part Number	Description	Qty. Req'd Per Dummy
<b>033-9300</b>	<b>ARM ASSEMBLY LEFT Q6</b>	<b>1</b>
033-9301	ARM ASSEMBLY, UPPER LEFT	1
033-9302	ARM ASSEMBLY, LOWER LEFT	1
5000626-FT	SCREW SHSS M6 X 20 (M5 X 0.8 THREAD)	1
020-9901	STOP SCREW	1
5000328-FT	SPRING PLUNGER M8	1
<b>033-9400</b>	<b>ARM ASSEMBLY RIGHT Q6</b>	<b>1</b>
033-9401	ARM ASSEMBLY, UPPER RIGHT	1
033-9402	ARM ASSEMBLY, LOWER RIGHT	1
5000626-FT	SCREW SHSS M6 X 20 (M5 X 0.8 THREAD)	1
020-9901	STOP SCREW	1
5000328-FT	SPRING PLUNGER M8	1
5000005-FT	SCREW BHCS M4 X 0.7 X 12	6
033-3007	SHOULDER FRICTION WASHER	6
033-3008	SHOULDER WASHER	6

**Legs**



<i>Part Number</i>	<i>Description</i>	<i>Qty. Req'd Per Dummy</i>
<b>033-9100</b>	<b>LEG ASSEMBLY LEFT Q6</b>	<b>1</b>
033-9101	LEG ASSEMBLY, UPPER LEFT	1
033-9102	LEG ASSEMBLY, LOWER LEFT	1
033-9907	SHOULDER BOLT MODIFIED	1
020-9901	STOP SCREW	1
<b>033-9200</b>	<b>LEG ASSEMBLY RIGHT Q6</b>	<b>1</b>
033-9201	LEG ASSEMBLY, UPPER RIGHT	1
033-9202	LEG ASSEMBLY, LOWER RIGHT	1
033-9907	SHOULDER BOLT MODIFIED	1
020-9901	STOP SCREW	1

## Accelerometer Mounts

### Mount Kits

Accelerometer Type	Complete Dummy	Components		
		Head	Thorax	Pelvis
<b>Endevco</b> 7264-2000	<b>1032448</b>	1032470	1032471	1032471
7264C-2000				
7264A 7264B EGAS-FS-50	<b>1032449</b>	1032469	1032472	1032472
7264 7264C ASM-200BA 126M/CM (qty 3) & DTS ARS Sensor Series in the head	<b>1032506</b>	1032489	1032471	1032471
7264A 7264B EGAS-FS-50 (qty 3) & DTS ARS Sensor Series (qty 3) in the head	<b>1032538</b>	1032488	1032472	1032472

### Only uni-axial accelerometers: (Mount Reference)

Accelerometer Type	Location		
	Head Mount (only uni-axial accels)	Thorax	Pelvis
ENTRAN EGAS-FS-50	I.AD	I.AO	I.AO
KYOWA ASM-200BA	I.AM	I.AN	I.AN
ENDEVCO 7264-2000 7264C-2000	I.AM	I.AN	I.AN
ENDEVCO 7264A-2000 7264B-2000	I.AD	I.AO	I.AO
MSC 126M/CM	I.AM	I.AN	I.AN

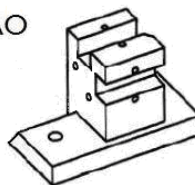
I.AD



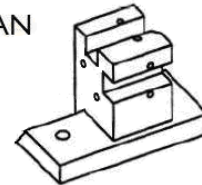
I.AM



I.AO



I.AN



## Clothes / Misc.

<b>Part Number</b>	<b>Description</b>	<b>Qty. Req'd Per Dummy</b>
033-8000	SUIT Q6	1
033-9900	USER MANUAL - Q6 DUMMY	1