



## Humanetics Innovative Solutions, Inc.

Q3 Child Dummy  
(Advanced 3 year old child)  
020-0001



Parts Catalog





For information on Humanetics products, please visit our web site at [www.humaneticsatd.com](http://www.humaneticsatd.com)

or contact:

Humanetics Innovative Solutions

23300 Haggerty Road

Farmington Hills, Michigan

48335 USA

Tel: +1 248 778 2000

Fax: +1 248 778 2001

No part of this publication may be reproduced, stored in a retrieval system or transmitted in any form or by any means, electronic, photocopying, recording, mechanical or otherwise, without the express written consent of Humanetics Innovative Solutions.

Copyright © 2015 Humanetics Innovative Solutions, All rights reserved.

The information in this catalog is furnished for informational use only, and is subject to change without notice. Humanetics Innovative Solutions assumes no responsibility or liability for any errors or inaccuracies that may appear in this catalog.

## Table of Contents

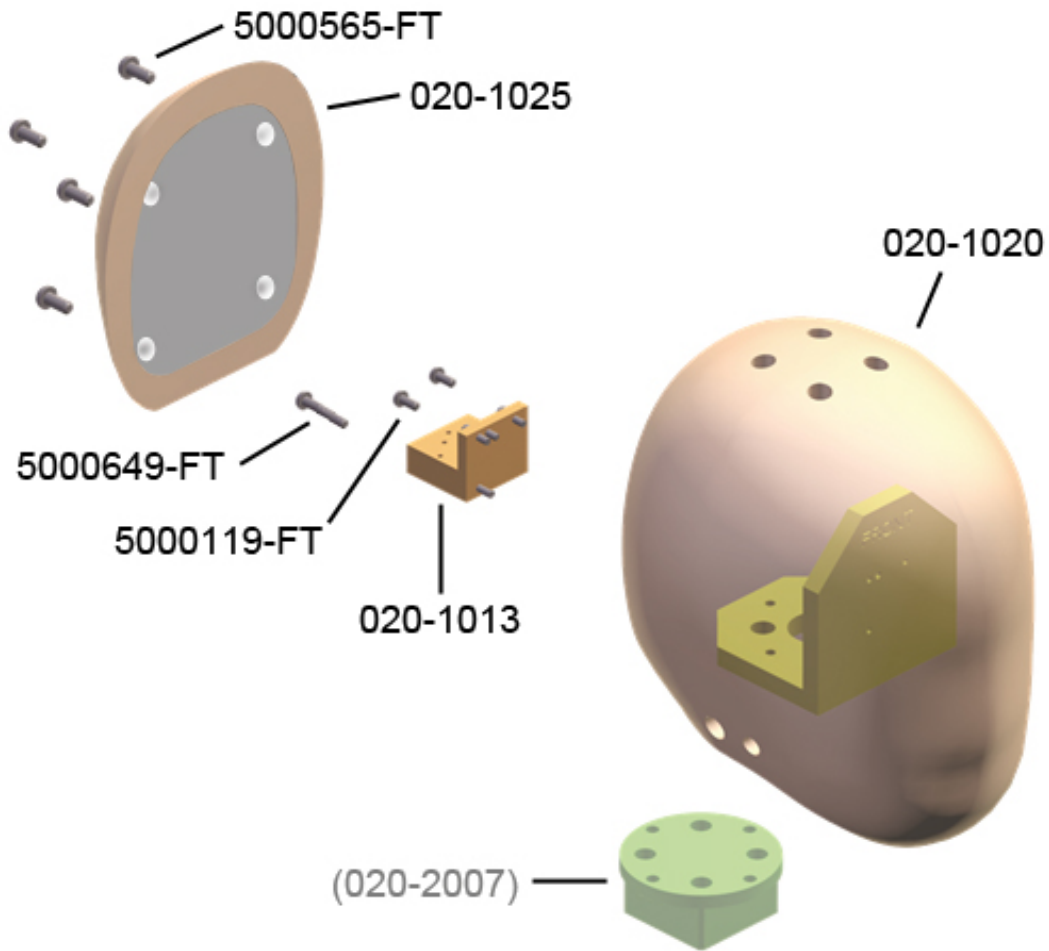
Head Assembly .....	4
Neck Assembly.....	5
Torso Assembly.....	6 – 7
Frontal IR-TRACC Mounting .....	8
Side IR-TRACC Mounting .....	9
Lumbar Assembly .....	10
Pelvis Assembly .....	11
Arm Assembly.....	12
Leg Assembly .....	13
Accelerometer Mounts .....	14
Clothes/Misc.....	15

## Background

The development of the Q-series, directed by the International Child Dummy Working Group, resulted in a Q3 dummy in 1998.

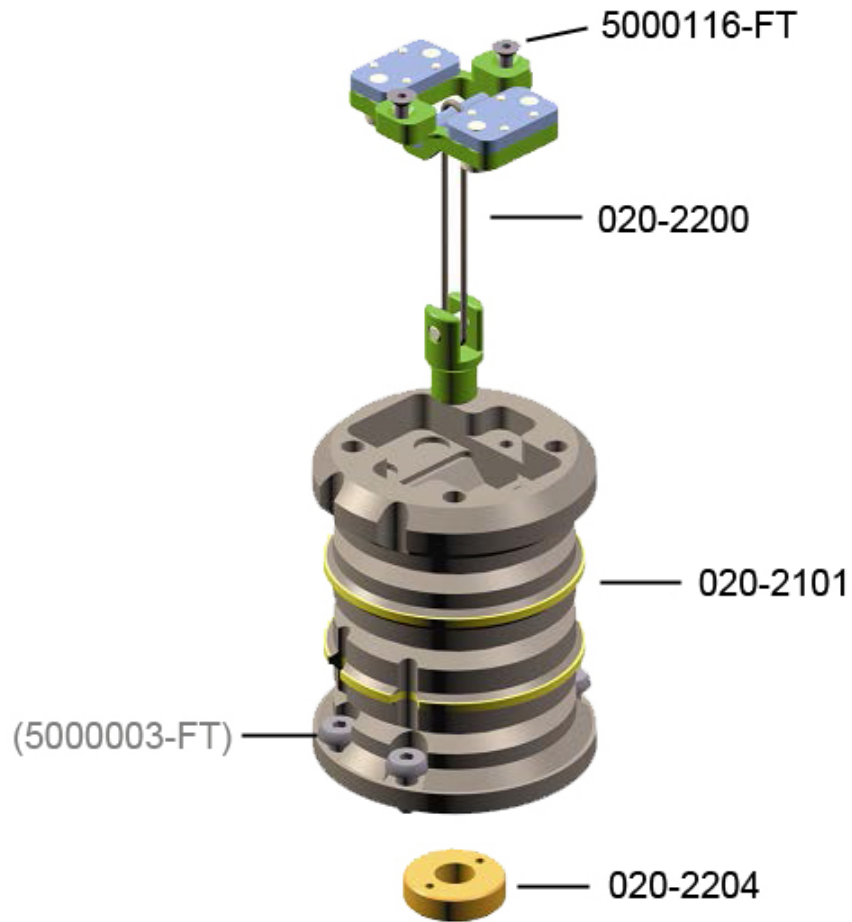
The European Enhanced Vehicle-safety Committee performed an extensive evaluation program of the Q-series in 2004. Results of the first evaluations have been published at the 19th Enhanced Safety of Vehicles conference in 2005 [ ]. In 2006 the New Programme for the Assessment of Child-restraint Systems (NPACS) adopted the Q dummies for their test protocols.

### Head Assembly



Part Number	Description	Qty. Req'd Per Dummy
<b>020-1100</b>	<b>HEAD ASSY T/C, Q3</b>	<b>1</b>
020-1020	HEAD FRONT ASSY T/C	1
020-1025	REAR SKULL CAP ASSY Q3	1
5000565-FT	SCREW BHCS M5 X 0.8 X 12 18-8 SS	4
5000119-FT	SCREW SHCS M3 X 0.5 X 10	2
5000649-FT	SCREW SHCS M3 X 0.5 X 40	1
020-1013	BRACKET ASSY, HEAD ACCEL MOUNT	1
(020-2007)	LC STRUCTURAL REPLACEMENT (QB.CB)	1

### Neck Assembly

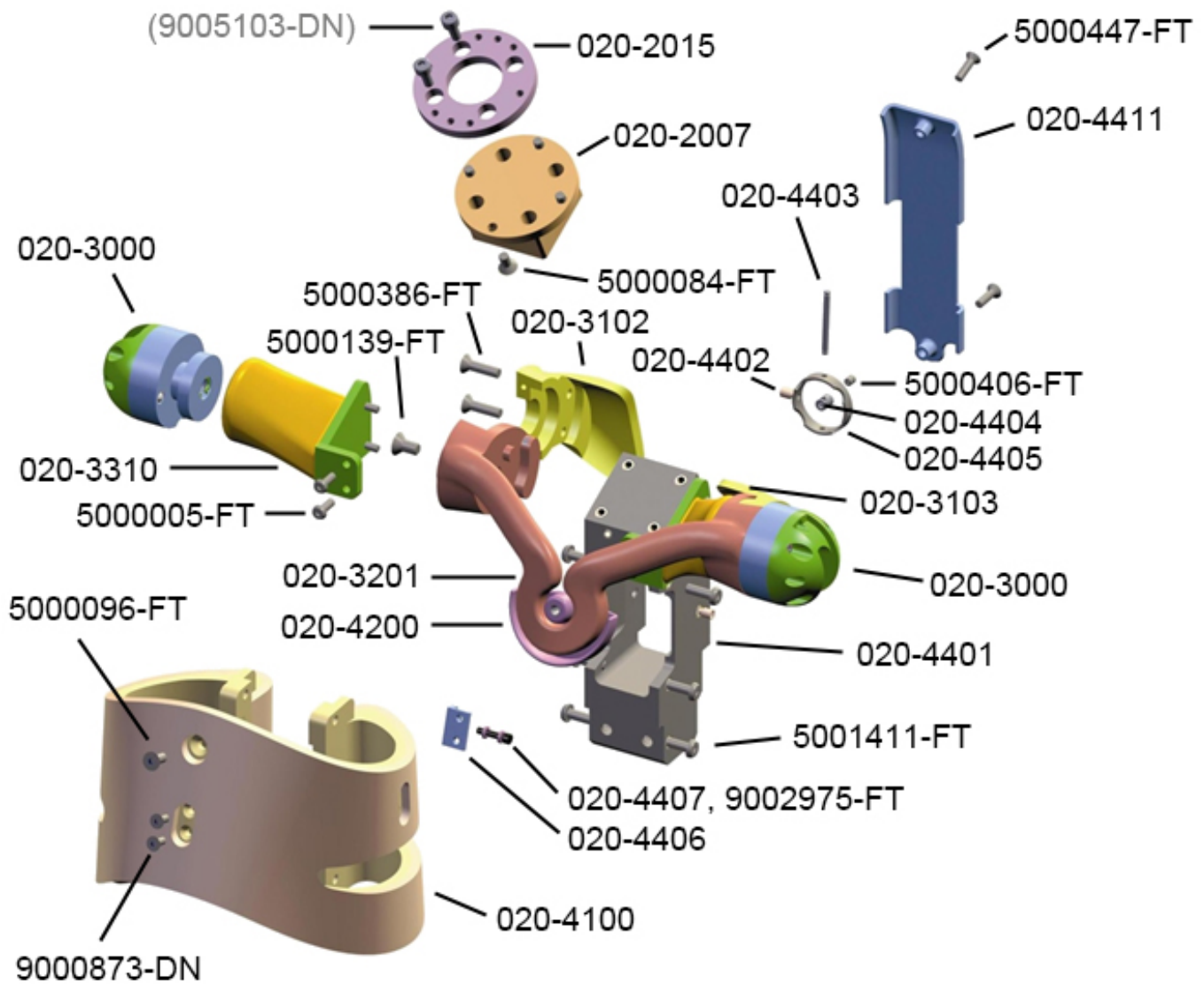


Part Number	Description	Qty. Req'd Per Dummy
<b>020-2100*</b>	<b>NECK ASSY W/CBL, TEST/CERT, Q3</b>	<b>1</b>
020-2101	NECK CENTRAL MOLDING, T/C Q3	1
020-2200	NECK CABLE ASSY, Q3	1
020-2204	NUT, NECK CABLE	1
5000116-FT	SCREW FHCS M3 X 0.5 X 8	2
(5000003-FT)	SCREW BHCS M5 X 0.8 X 10	4

\*It is highly recommended to purchase the neck in the full assembly.

Note: Do not unscrew the screws at the bottom of the clamping plates on the neck cable assembly. The neck cable is pre-stretched and clamped down at manufacturing, and should not be disassembled. In case of cable damage, customers are recommended to replace the complete neck cable assembly (020-2200). There is no adjustable pretension in the cable. The nut (020-2204) can be tightened firmly.

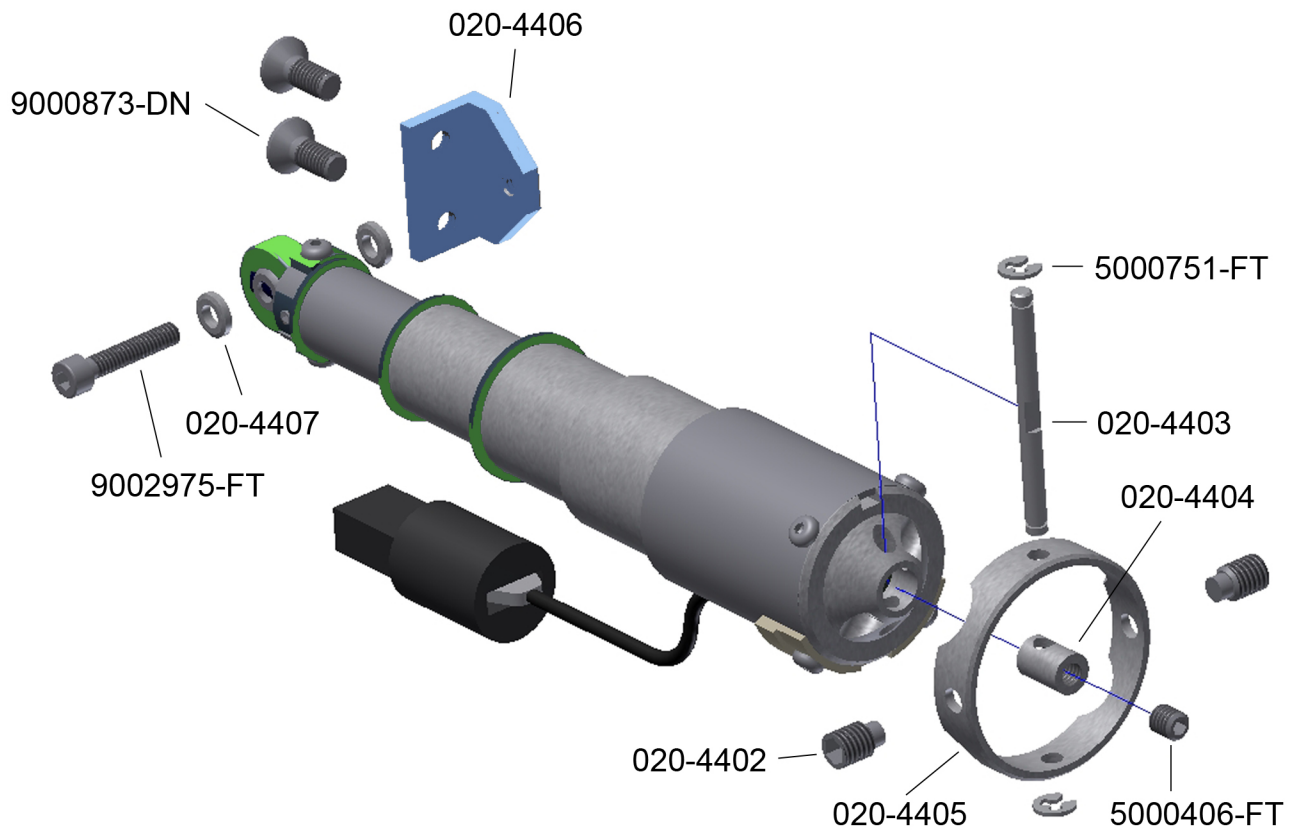
**Torso Assembly**



Part Number	Description	Qty. Req'd Per Dummy
<b>020-4400</b>	<b>TORSO ASSEMBLY Q3 T/C</b>	<b>1</b>
020-4401	SPINE, THORACIC (IRTRACC)	1
020-2015	NECK TORSO INTERFACE PLATE (QB.EE)	1
9005103-DN	SCREW, SHCS M5 X 12	12
020-4405	GIMBAL RING	1
020-4402	PIVOT PIN - GIMBAL	2
020-4403	SHAFT GIMBAL	1
020-4404	SHAFT LOCKING BOSS	1
020-4100	RIB CAGE MOULDING Q3 - T/C	1
020-4406	BRACKET IRTRACC - ATTACHMENT	1
9000873-DN	SCREW, FHCS M4 X 12MM LONG	2
5001411-FT	SCREW BHCS M5 X 0.8 X 14	6

020-3310	SHOULDER SPINE, RUBBER INTERFACE RH	1
020-3320	SHOULDER SPINE INTERFACE, RUBBER LH	1
5000005-FT	SCREW BHCS M4 X 0.7 X 12	8
020-3201	CLAVICLE Q3, MODIFIED	1
5000139-FT	SCREW FHCS M6 X 1 X 12	2
020-3102	SCAPULAR MOLDING RH	1
020-3103	SCAPULAR MOLDING LH	1
5000386-FT	SCREW FHCS M5 X 0.8 X 20	4
<b>020-3000</b>	<b>SHOULDER SWIVEL ASSEMBLY</b>	<b>1</b>
020-3002	SHOULDER SWIVEL BODY	2
020-3005	SHOULDER RETAINING CAP	2
5000328-FT	SPRING PLUNGER M8	4
020-7103	DETENT PEG	2
5000650-FT	SPRING	2
5000651-FT	CIRCLIP, INTERNAL 12MM	2
5000084-FT	SCREW FHCS M5 X 0.8 X 10	8
020-4200	CLAVICLE RETAINER	1
5000096-FT	SCREW FHCS M5 X 0.8 X 12	1
9002975-FT	SCREW SHCS 5-40 X 5/8	1
020-4407	SPACER IRTACC ATTACHMENT	2
5000406-FT	SCREW SSCP M4 X 0.7 X 5 18-8 SS	1
020-4411	CABLE GUIDE	1
5000447-FT	SCREW FHCS M4 X 0.7 X 16 18-8 SS	2
5000751-FT	RING RETAINING EXTERNAL E-TYPE 3 MM	2
020-9902	LUMBAR SPINE MOUNTING SCREW	2

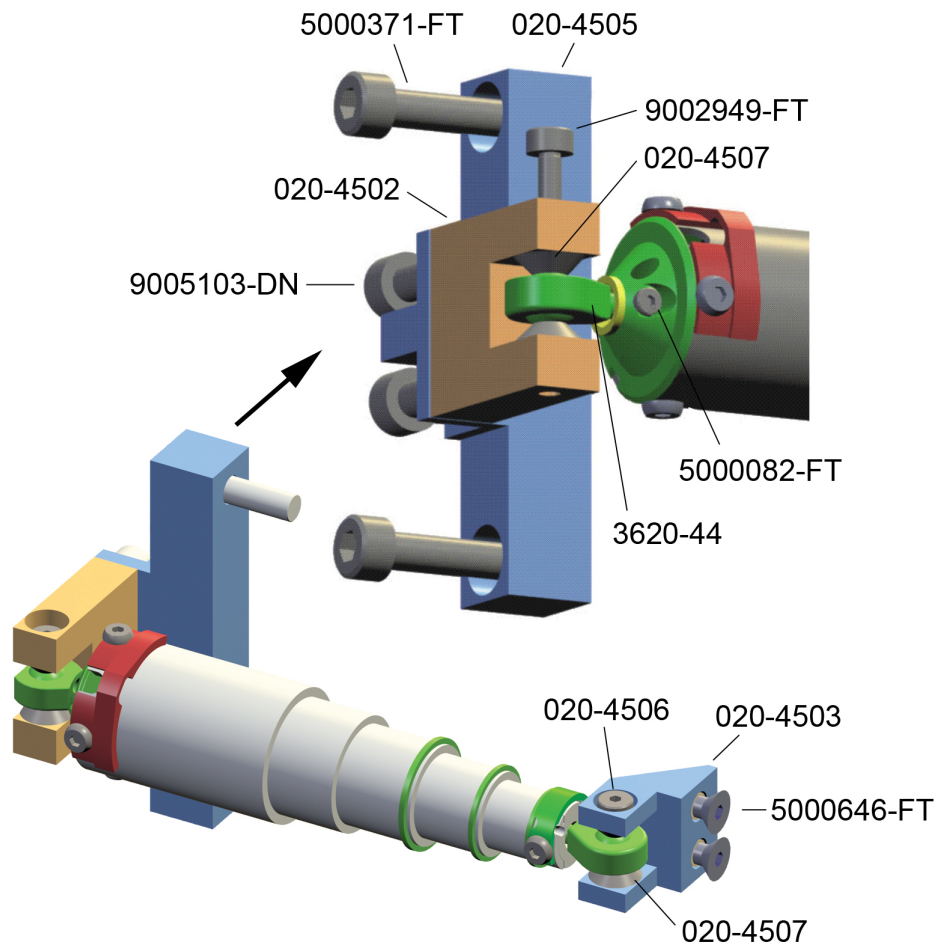
### Frontal IR-TRACC Mounting



Part Number	Description	Qty. Req'd Per Dummy
<b>020-4400</b>	<b>TORSO ASSEMBLY Q3 T/C (Con't)</b>	<b>1</b>
020-4405	GIMBAL RING	1
020-4402	PIVOT PIN - GIMBAL	2
020-4403	SHAFT GIMBAL	1
020-4404	SHAFT LOCKING BOSS	1
020-4407	SPACER IRTRACC ATTACHMENT	2
020-4406	BRACKET IRTRACC - ATTACHMENT	1
5000406-FT	SCREW SSCP M4 X 0.7 X 5 18-8 SS	1
9000873-DN	SCREW, FHCS M4 X 12MM LONG	2
9002975-FT	SCREW SHCS 5-40 X 5/8	1
5000751-FT	RING RETAINING EXTERNAL E-TYPE 3 MM	2

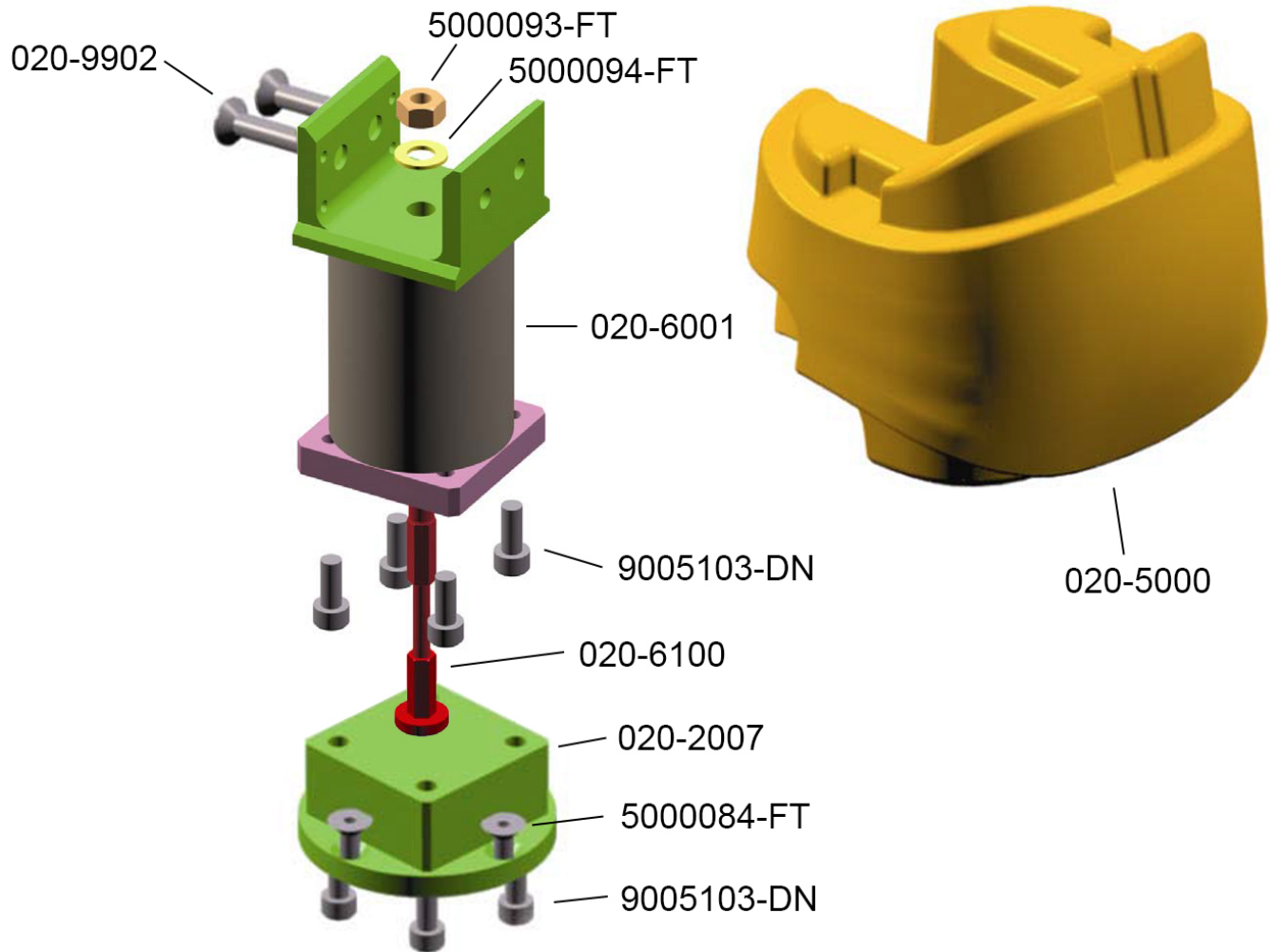


### Side IR-TRACC Mounting (Optional)



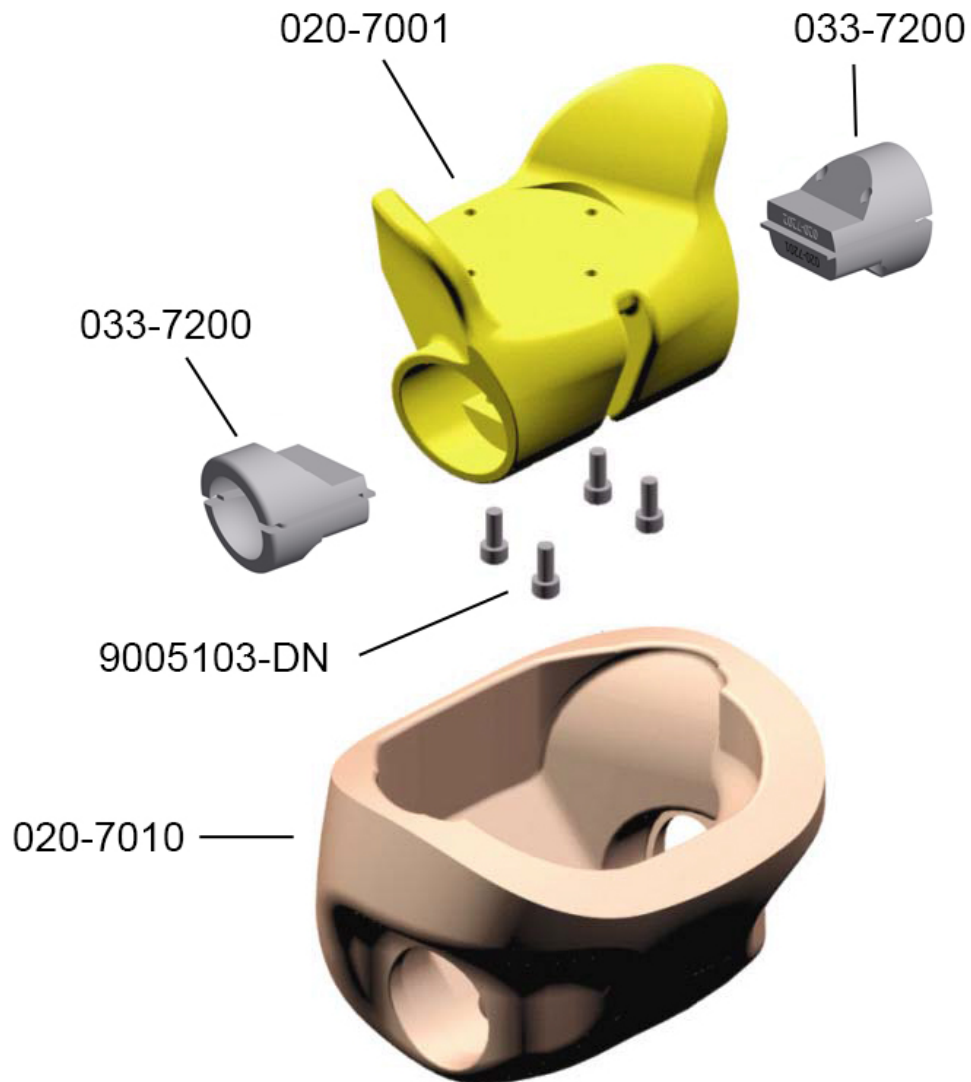
Part Number	Description	Qty. Req'd Per Dummy
<b>020-4510</b>	<b>MOUNTING BRACKET ASSY, W/O ITRACC (SIDE)</b>	<b>1</b>
<i>(Optional assembly)</i>		
020-4505	BRACKET 1, ITRACC	1
020-4502	BRACKET 2, ITRACC	1
020-4507	CONE SPACER	2
9002949-FT	SCREW SHSS 1/8 X 1/2 NYLOK 18-8 SS	1
3620-44	ROD END MOUNT, BASE END	1
5000082-FT	SCREW SHCS M2 X 0.4 X 6	1
5000371-FT	SCREW SHCS M5 X 0.8 X 20	2
9005103-DN	SCREW, SHCS M5 X 12	2
020-4506	SCREW, SHOULDER, MODIFIED	2
020-4503	BRACKET, ITRACC	1
5000646-FT	SCREW FHCS M4 X 0.7 X 8	2
020-4507	CONE SPACER	4

**Lumbar and Abdomen**



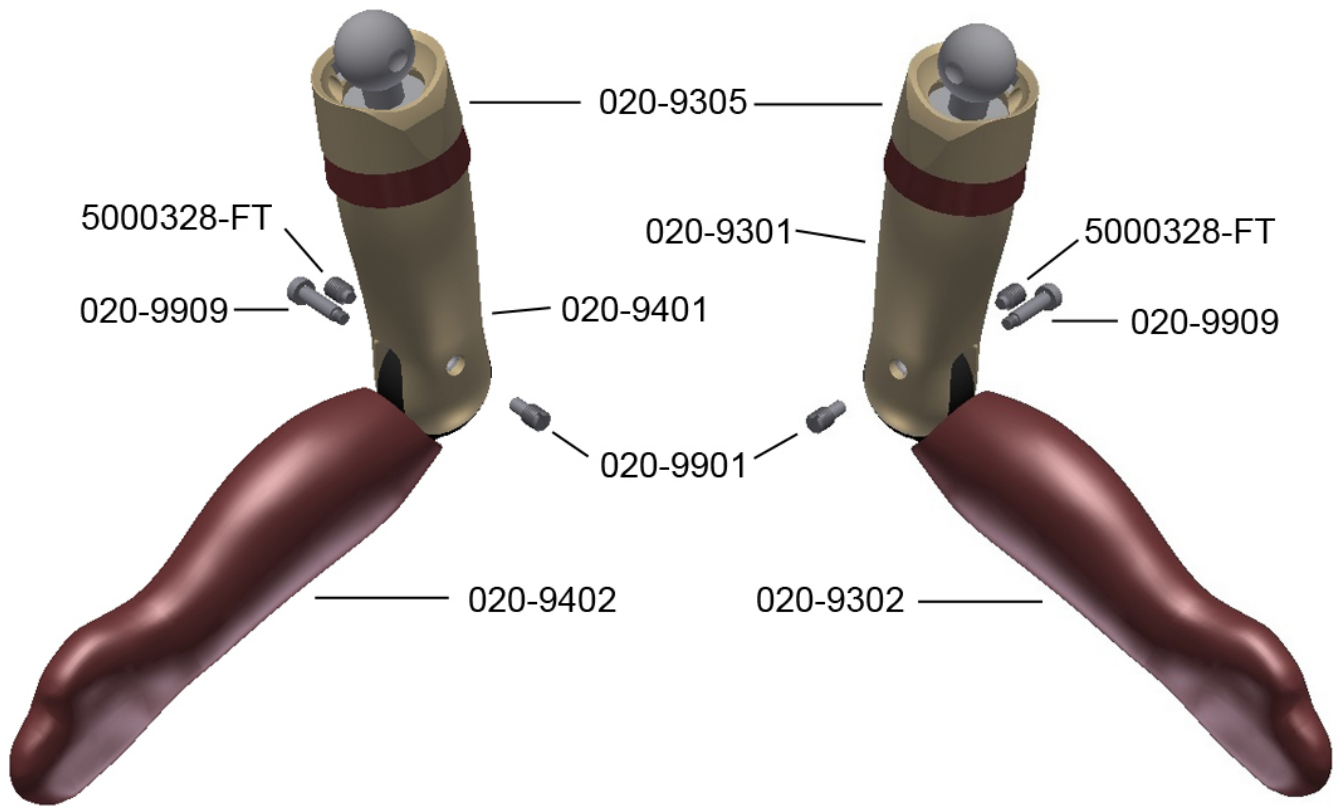
<i>Part Number</i>	<i>Description</i>	<i>Qty. Req'd Per Dummy</i>
<b>020-6000</b>	<b>LUMBAR SPINE ASSY T/C</b>	<b>1</b>
020-6001	LUMBAR SPINE MOLDED	1
020-6100	CABLE	1
5000093-FT	NUT HEX NYLON INSERT M6 X 1 ZINC	1
5000094-FT	WASHER FLAT M6 (6.7 X 12.5 X 1) SS	1
020-9902	LUMBAR SPINE MOUNTING SCREW	2
020-2007	LC STRUCTURAL REPLACEMENT (QB.CB)	1
9005103-DN	SCREW, SHCS M5 X 12	8
5000084-FT	SCREW FHCS M5 X 0.8 X 10	4
020-5000	ABDOMEN, Q3 T/C	1

**Pelvis**



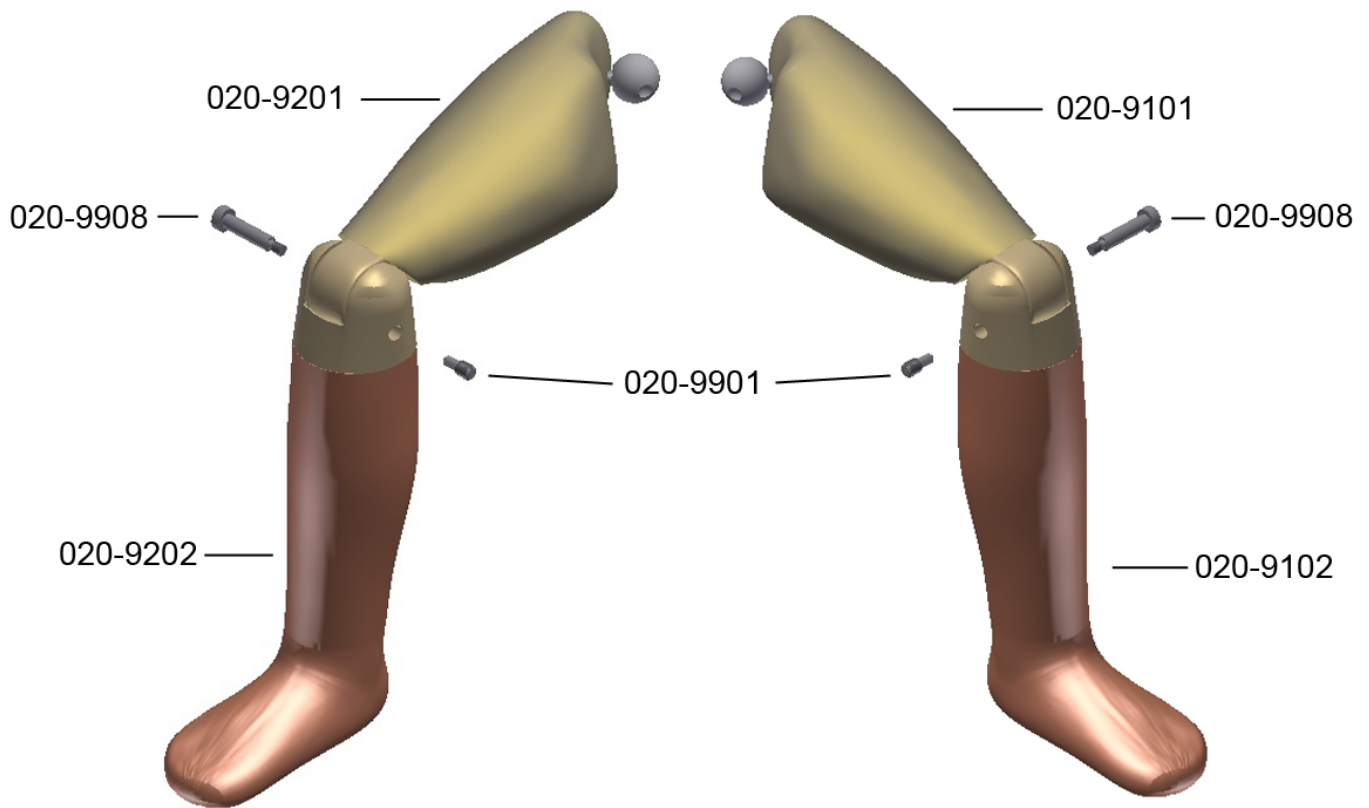
<i>Part Number</i>	<i>Description</i>	<i>Qty. Req'd Per Dummy</i>
<b>020-7011</b>	<b>PELVIS ASSEMBLY</b>	<b>1</b>
020-7001	PELVIS BONE, MACHINED	1
020-7010	PELVIS FLESH, MOLDED	1
033-7200	HIP CUP ASSEMBLY, Q6	2
9005103-DN	SCREW, SHCS M5 X 12	4

**Arms**



<i>Part Number</i>	<i>Description</i>	<i>Qty. Req'd Per Dummy</i>
<b>020-9300</b>	<b>LEFT ARM ASSY</b>	<b>1</b>
020-9301	UPPER LEFT ARM ASSY	1
020-9302	LOWER LEFT ARM ASSY	1
020-9305	ARM/SHOULDER SHIELD	1
020-9909	SHOULDER SCREW, MODIFIED, ELBOW, Q3S	1
020-9901	STOP SCREW	1
5000328-FT	SPRING PLUNGER M8	1
<b>020-9400</b>	<b>RIGHT ARM ASSY</b>	<b>1</b>
020-9401	UPPER RIGHT ARM ASSY	1
020-9402	LOWER RIGHT ARM ASSY	1
020-9305	ARM/SHOULDER SHIELD	1
020-9909	SHOULDER SCREW, MODIFIED, ELBOW, Q3S	1
020-9901	STOP SCREW	1
5000328-FT	SPRING PLUNGER M8	1

**Legs**



<i>Part Number</i>	<i>Description</i>	<i>Qty. Req'd Per Dummy</i>
<b>020-9100</b>	<b>LEFT LEG ASSY</b>	<b>1</b>
020-9101	UPPER LEFT LEG ASSY	1
020-9102	LOWER LEFT LEG ASSY	1
020-9901	STOP SCREW	1
020-9908	SHOULDER BOLT MODIFIED	1
<b>020-9200</b>	<b>RIGHT LEG ASSY</b>	<b>1</b>
020-9201	UPPER RIGHT LEG ASSY	1
020-9202	LOWER RIGHT LEG ASSY	1
020-9901	STOP SCREW	1
020-9908	SHOULDER BOLT MODIFIED	1

## Accelerometer Mounts

### Mount Kits

Accelerometer Type	Complete Dummy	Components		
		Head	Thorax	Pelvis
<b>Endevco</b> 7264-2000 7264C-2000	<b>1032448</b>	1032470	1032471	1032471
7264A 7264B EGAS-FS-50	<b>1032449</b>	1032469	1032472	1032472
7264 7264C ASM-200BA 126M/CM (qty 3) & DTS ARS Sensor Series in the head	<b>1032506</b>	1032489	1032471	1032471
7264A 7264B EGAS-FS-50 (qty 3) & DTS ARS Sensor Series (qty 3) in the head	<b>1032538</b>	1032488	1032472	1032472
7264 and 7264C with ATA ARS-06S in head		020-1014	1032471	1032471

### Uni-axial: (Mount Reference)

Accelerometer Type	Location		
	Head Mount (only uni-axial accels)	Thorax	Pelvis
ENTRAN EGAS-FS-50	I.AD	I.AO	I.AO
KYOWA ASM-200BA	I.AM	I.AN	I.AN
ENDEVCO 7264-2000 7264C-2000	I.AM	I.AN	I.AN
ENDEVCO 7264A-2000 7264B-2000	I.AD	I.AO	I.AO
MSC 126M/CM	I.AM	I.AN	I.AN

### Tri-axial: (Mount Reference)

Accelerometer Type	Location		
	Head Mount (only uni-axial accels)	Thorax	Pelvis
ENDEVCO 7267A-1500 Tri-axial	Not Available	Use Endevco Mount base	Use Endevco Mount base

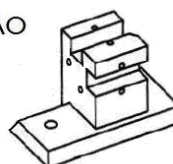
I.AD



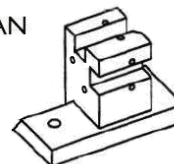
I.AM



I.AO



I.AN



## Clothes / Misc.

Part Number	Description	Qty. Req'd Per Dummy
020-8000	SUIT Q3	1
020-9905	USER MANUAL - Q3 DUMMY	1