

Humanetics Innovative Solutions, Inc.

Q10 Child Dummy
(Advanced 10.5 year old child)
010-0000



Parts Catalog





For information on Humanetics products, please visit our web site at www.humaneticsatd.com

or contact:

Humanetics Innovative Solutions
47460 Galleon Drive
Plymouth, MI 48170, USA
Telephone: 734-451-7878
Fax: 734-451-9549

No part of this publication may be reproduced, stored in a retrieval system or transmitted in any form or by any means, electronic, photocopying, recording, mechanical or otherwise, without the express written consent of Humanetics Innovative Solutions.

Copyright © 2015 Humanetics Innovative Solutions, All rights reserved.

The information in this catalog is furnished for informational use only, and is subject to change without notice. Humanetics Innovative Solutions assumes no responsibility or liability for any errors or inaccuracies that may appear in this catalog.

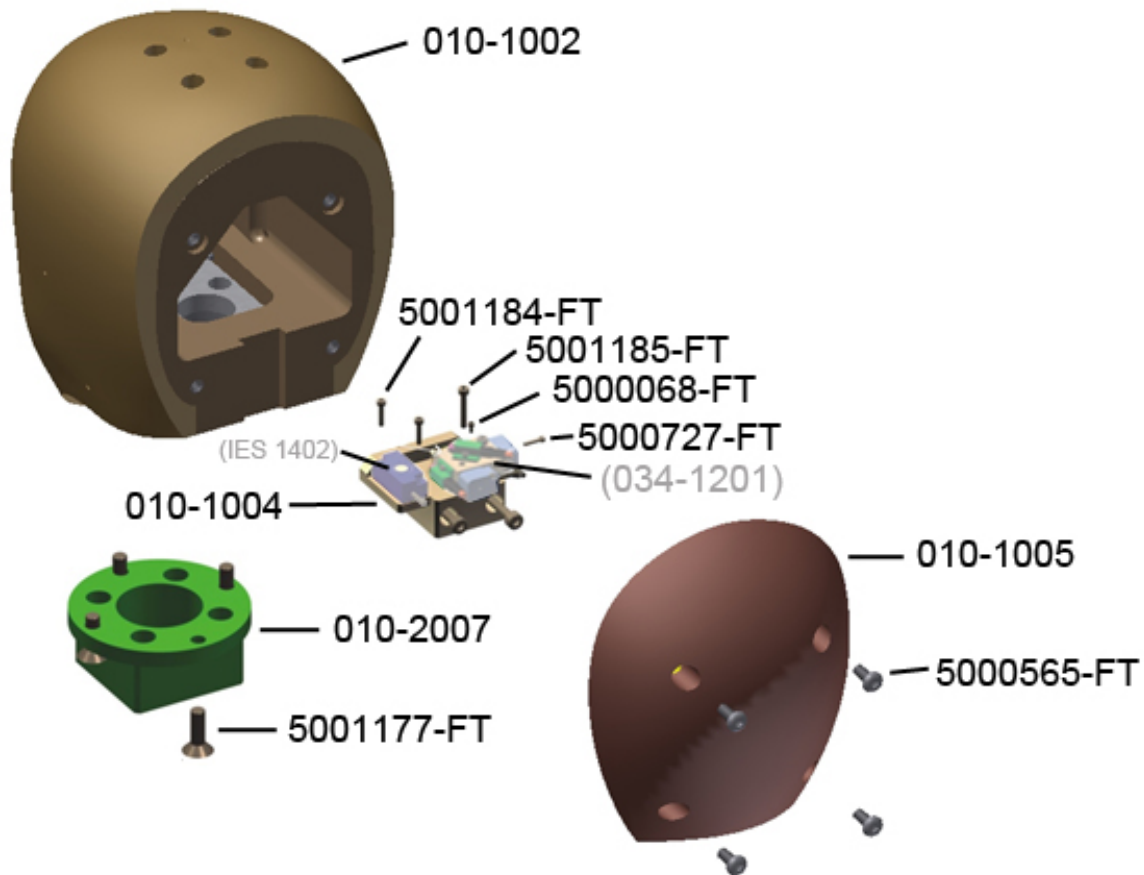
Table of Contents

Head Assembly	4
Neck Assembly	5
Torso Assembly	6 - 7
IR-TRACC Mounting	8
Lumbar and Abdomen	9
Pelvis Assembly	10 - 12
Arm Assembly	13 - 14
Leg Assembly	15 – 16
Side Impact Shoulder Kit	17 - 18
Accelerometer Mounts	19
Clothes/Misc.	19

Background

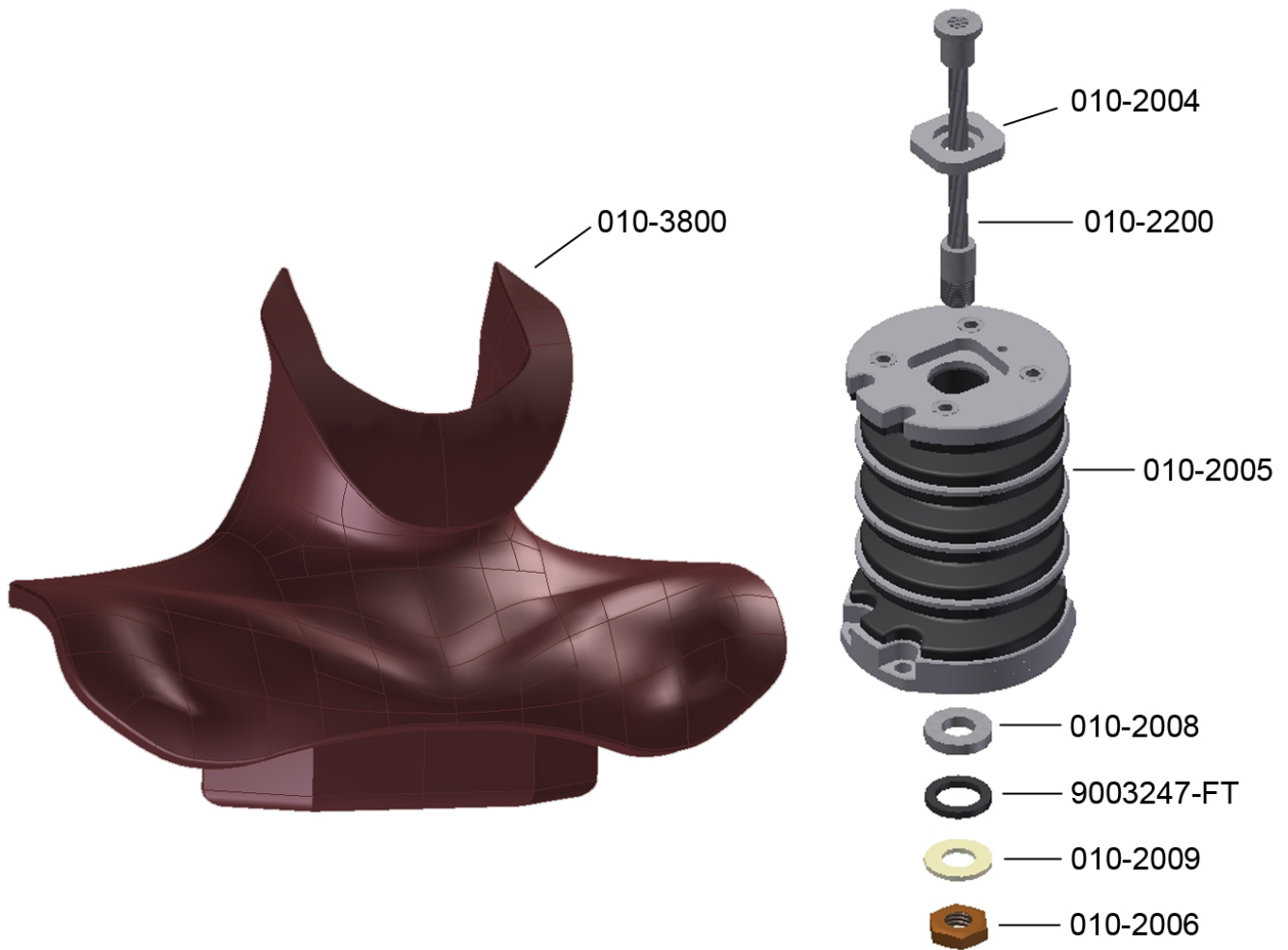
Q10 design started in 2009 and was developed with co-funding from the EU commission within the Seventh Framework program under the project name EPOCH (Enable Protection for Older Children). The Q10 has the anthropometry of a 10.5 year old 50th percentile child as defined in CANDAT (Child ANthropometry DATabase). After EPOCH improvements were made taking comments from users into consideration, this raised the standard build level to B. In 2013 a lateral shoulder kit was developed this raised the service build level (SBL) to C. The Q10 dummy is suitable for frontal as well as side impact CRS evaluations, to be used for both homologation, consumer rating and research purposes.

Head Assembly



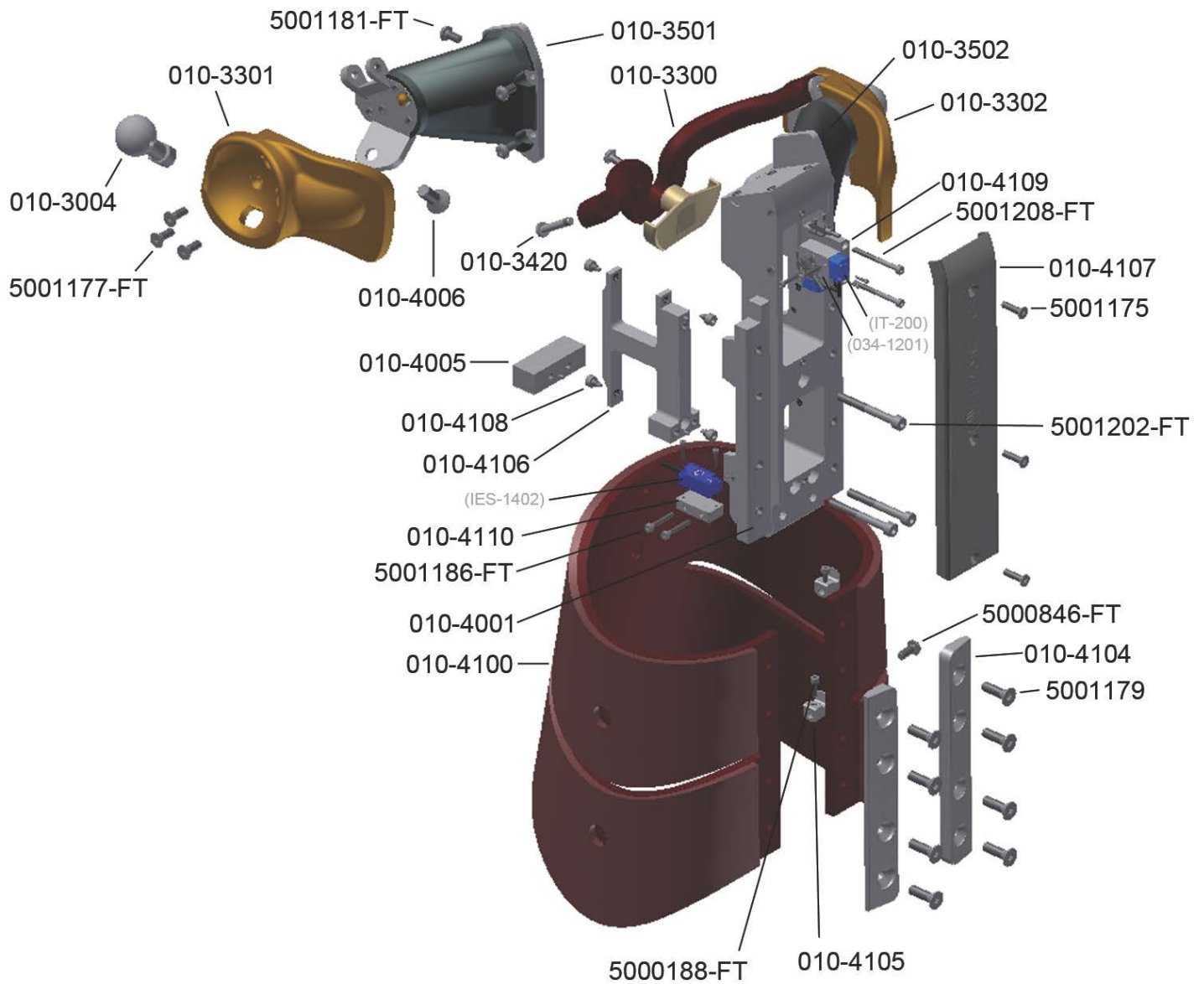
Part Number	Description	Qty. Req'd Per Dummy
010-1000	HEAD ASSEMBLY, Q10	1
010-1002	SKULL ASSEMBLY, Q10	1
010-1005	SKULL CAP ASSEMBLY, Q10	1
010-1004	ACCELEROMETER MOUNTING BRACKET, Q10	1
010-2007	LOAD CELL STRUCTURAL REPLACEMENT, Q10	1
5001189-FT	SCREW SHCS M4 X 0.7 X 20 ZINC	2
5001185-FT	SCREW SHCS M2.5 X 0.45 X 16 ZINC	2
5000068-FT	SCREW SHCS M1.4 X 0.3 X 3	6
5000727-FT	SCREW SHCS M1.4 X 0.3 X 8	6
5001177-FT	SCREW FHCS M5 X 0.8 X 14 ZINC	4
5001184-FT	SCREW SHCS M2 X 0.4 X 10 ZINC	2
5000565-FT	SCREW BHCS M5 X 0.8 X 12 18-8 SS	4

Neck Assembly



Part Number	Description	Qty. Req'd Per Dummy
010-2000	NECK ASSEMBLY, T/C Q10	1
010-2005	MOLDED NECK, Q10	1
010-2008	SPACER, CABLE, Q10	1
010-2009	NYLON WASHER, Q10	1
9003247-FT	WASHER WAVE SPRNG (.53 X .376 X .09)	1
010-2004	NECK CABLE BUSHING, Q10	1
010-2200	NECK CABLE ASSEMBLY, Q10	1
010-2006	RETAINING NUT, Q10	1
010-2010	NECK INTERFACE ASSEMBLY, Q10	1
010-3800	NECK SHIELD Q10	1

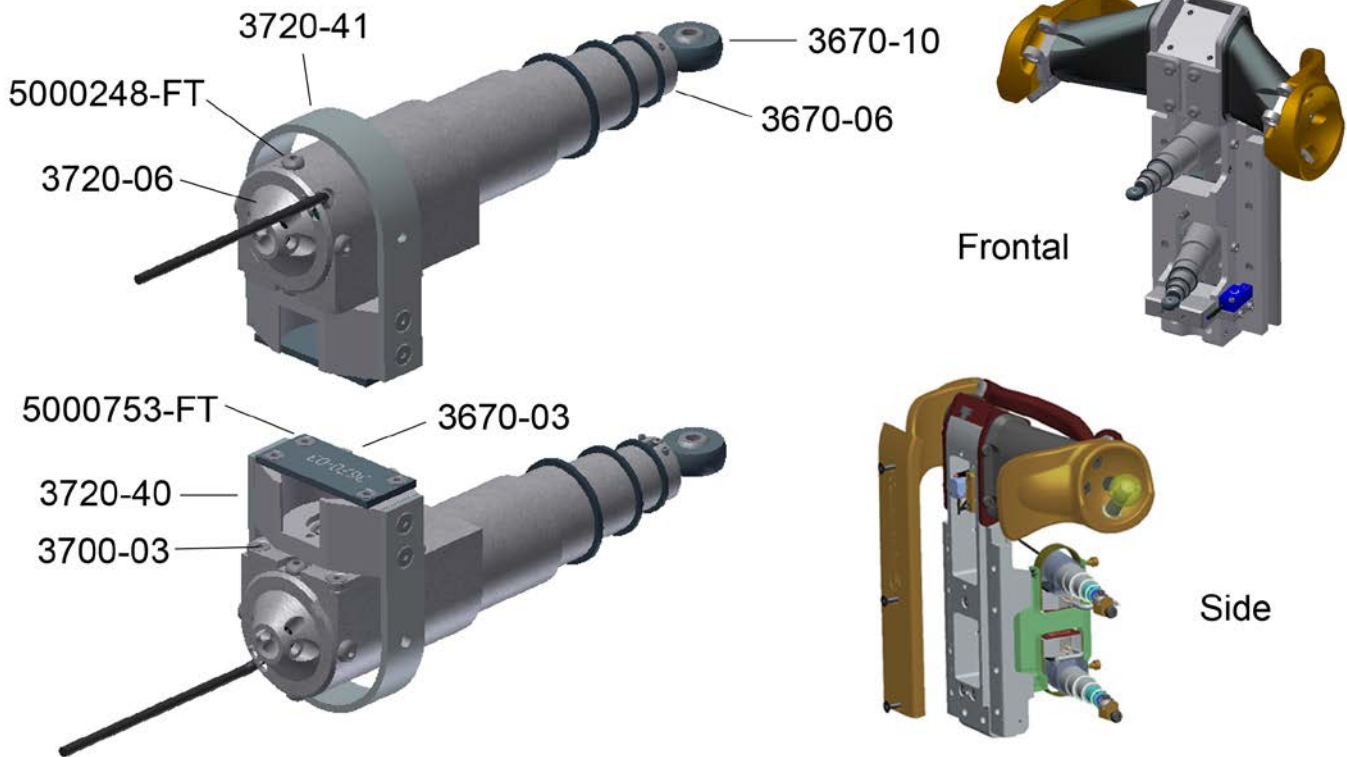
Torso Assembly



Part Number	Description	Qty. Req'd Per Dummy
010-4000	THORAX ASSEMBLY, Q10	1
010-4100	RIB CAGE ASSEMBLY, Q10	1
010-4001	SPINEBOX, Q10	1
010-4104	SPINE RAIL, Q10	2
5001179-FT	SCREW FHCS M6 X 1.0 X 20 ZINC	8
010-4106	SIDE IMPACT, IRTACC MOUNT, Q10	1
010-4108	PIVOT SCREW, Q10	4
5001202-FT	SCREW SHCS M5 X 0.8 X 45 ZINC	3
010-4105	IRTRACC ADAPTER	2

5000846-FT	SCREW BHCS M5 X 0.8 X 12, ZINC PLATED	3
5001175-FT	SCREW FHCS M4 X 0.7 X 16 ZINC	3
010-3501	MOLDED SPINE INTERFACE ASSEMBLY LEFT,Q10	1
010-3502	MOLDED SPINE INTERFACE ASS'Y, RIGHT, Q10	1
010-3301	SCAPULA, LEFT, Q10	1
010-3302	SCAPULA, RIGHT, Q10	1
5001181-FT	SCREW BHCS M5 X 0.8 X 10 ZINC	8
5001177-FT	SCREW FHCS M5 X 0.8 X 14 ZINC	6
010-3004	SHOULDER BALL ASSEMBLY, Q10	2
010-3003	SHOULDER SHAFT, Q10	2
010-3300	CLAVICAL, Q10	1
010-3420	CLAVICLE PIN, Q10	2
010-4200	CLAVICLE RETAINER, Q10	1
5001208-FT	SCREW SHCS M3 X 0.5 X 35 ZINC	2
5001186-FT	SCREW SHCS M3 X 0.5 X 20 ZINC	2
5000188-FT	PIN COILED M3 X 18	2
010-4005	BALLAST, Q10	1
010-4109	MOUNT, UPPER THORAX, Q10	1
010-4110	BRACKET, THORAX TILT SENSOR, Q10	1
5001184-FT	SCREW SHCS M2 X 0.4 X 10 ZINC	2
5000719-FT	PIN ROLL M5 X 24	2
034-1201	MOUNT-HEAD/PELVIS,ARS/7264-2000	1
5001176-FT	SCREW FHCS M5 X 0.8 X 12 ZINC	4
5001173-FT	SCREW SHCS M5 X 0.8 X 10 ZINC	16
5001185-FT	SCREW SHCS M2.5 X 0.45 X 16 ZINC	2
5000727-FT	SCREW SHCS M1.4 X 0.3 X 8	6
5001188-FT	SCREW SHCS M4 X 0.7 X 16 ZINC	2
010-4006	SCREW, FHCS M8X1.25X20 BZP 10.9 THD. LOC	2
5001207-FT	SCREW SHCS M6 X 1.0 X 55 PART THD ZINC	2
010-4107	MOLDED BACK PLATE, Q10	1

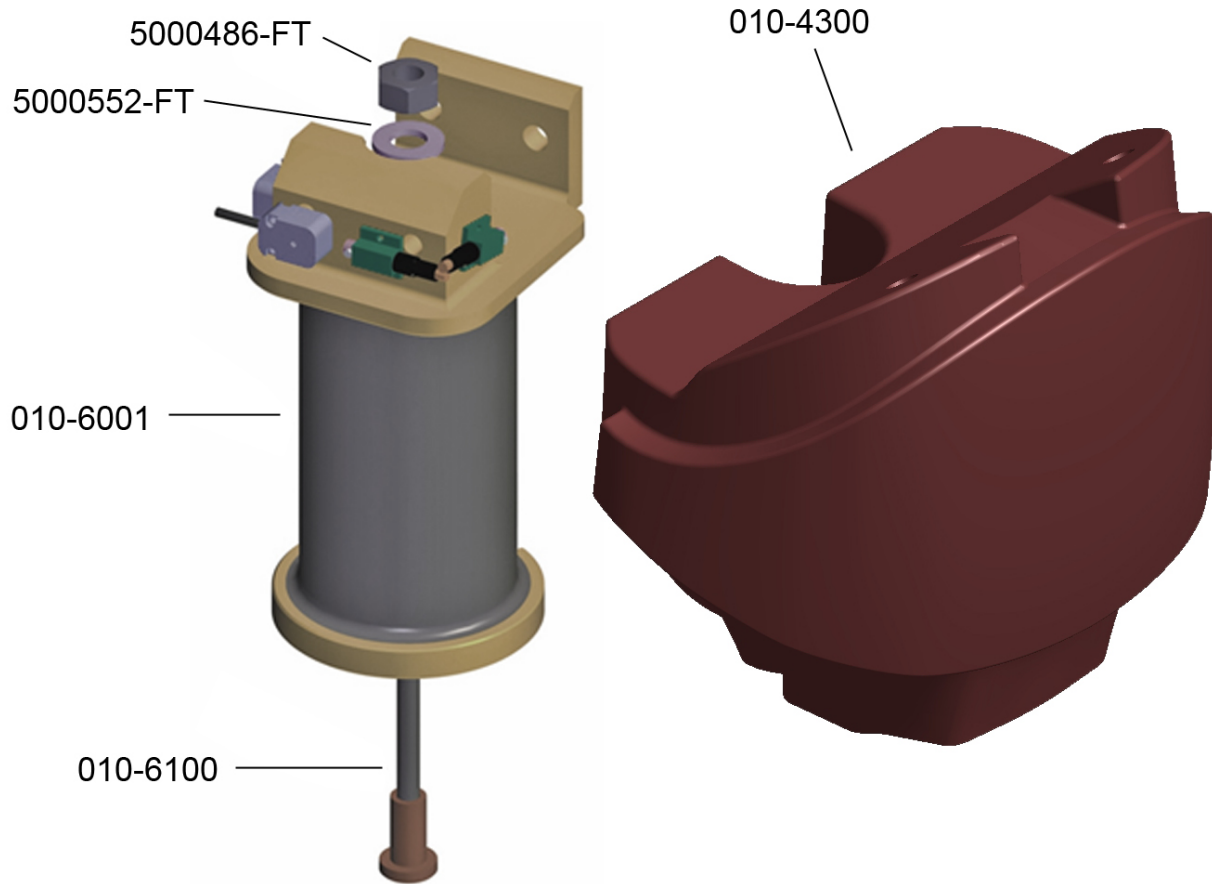
IR-TRACC Mounting



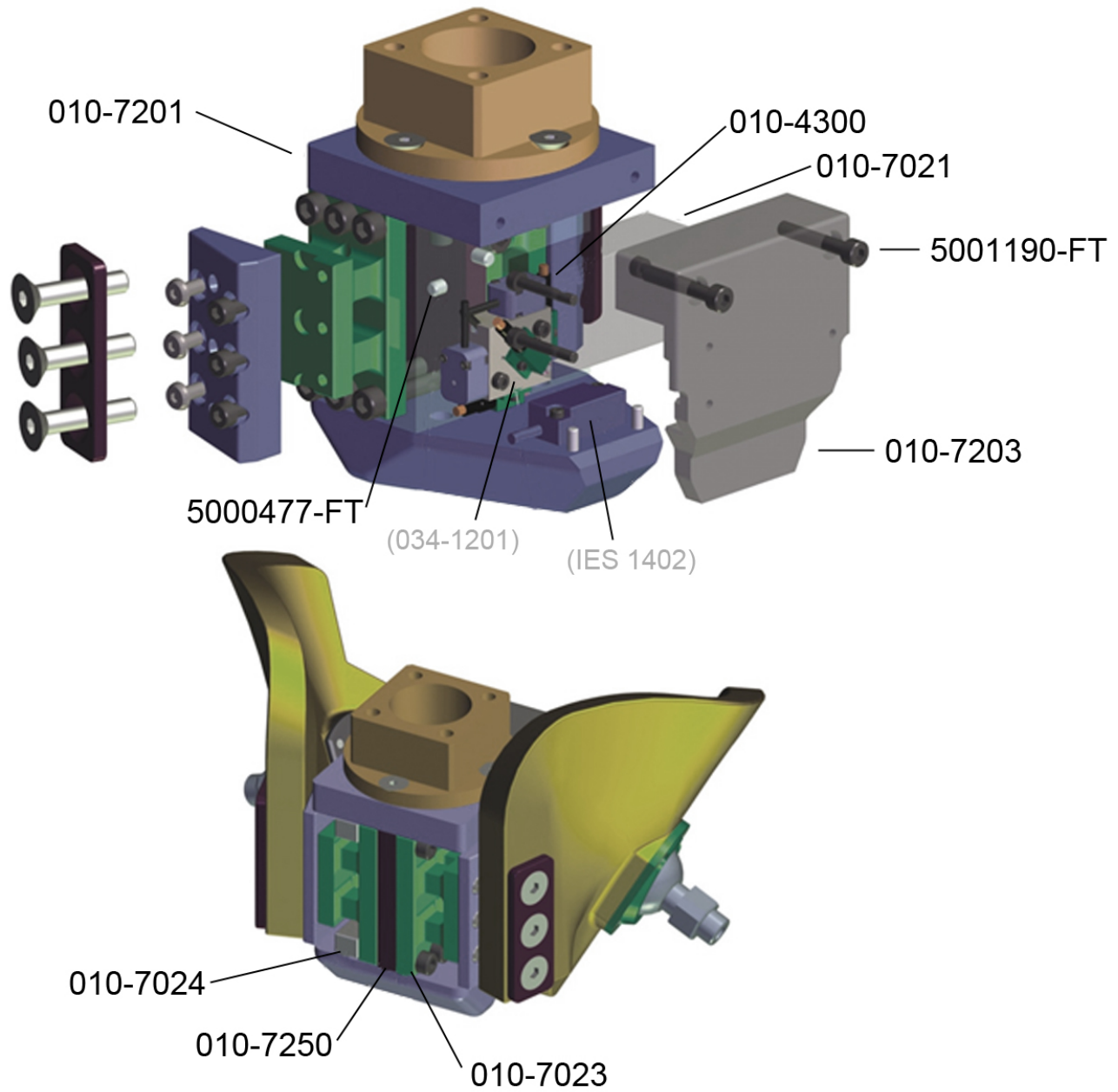
<i>Part Number</i>	<i>Description</i>	<i>Qty. Req'd Per Dummy</i>
010-4000	THORAX ASSEMBLY, Q10 (Con't)	1
(3720-00)*	IRTRACC ASSEMBLY, Q10	1
3720-41	GIMBAL RING	1
3720-40	POTENTIOMETER MOUNT	1
3670-03	COVER, POTENTIOMETER	1
3720-06	END CAP	1
3700-03	POTENTIOMETER BASE	1
3670-10	BALL JOINT	1
3670-06	BALL JOINT ADAPTOR	1
5000753-FT	SCREW FHCS M2 X 0.4 X 5	15
5000248-FT	SCREW BHCS M2.5 X 0.45 X 3	4

*Reference only - IR-TRACC not included in standard dummy build.

Lumbar and Abdomen



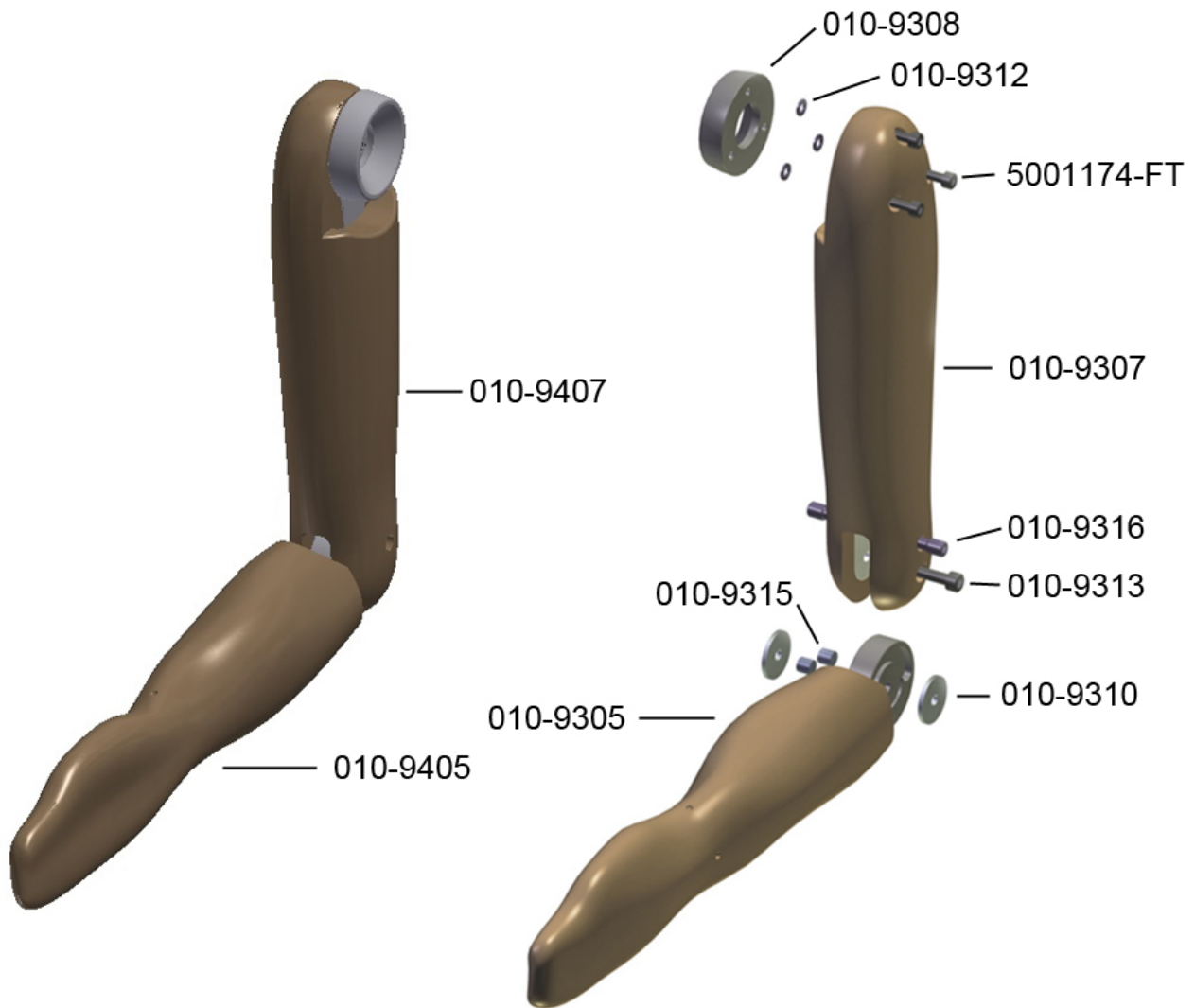
<i>Part Number</i>	<i>Description</i>	<i>Qty. Req'd Per Dummy</i>
010-6000	LUMBAR SPINE ASSEMBLY, T/C Q10	1
010-6001	LUMBAR SPINE, MOLDED Q10 TESTED	1
010-6100	LUMBAR SPINE CABLE ASSEMBLY, Q10	1
5000552-FT	WASHER FLAT M8 (8.4 X 16 X 1.6) ZINC	1
5000486-FT	NUT HEX NYLON INSERT M8 X 1.25 ZINC	1
010-4300	ABDOMEN, Q10	1



Part Number	Description	Qty. Req'd Per Dummy
010-7000	PELVIS ASSEMBLY, Q10	1
010-7302	ILIAC WING, RIGHT, Q10	1
010-7301	ILIAC WING, LEFT, Q10	1
010-7002	PELVIS FLESH, Q10	1
010-7003	HIP CUP, Q10	2
010-7005	HIP BEARING, Q10	2
010-7004	HIP BALL RETAINING PLATE, Q10	2
010-7006	FEMUR BALL ASSEMBLY, Q10	2
010-7009	RETAINING PLATE, PELVIS BONE, Q10	2

010-7201	SACRUM TOP BALLAST, Q10	1
010-7202	SACRUM BOTTOM PLATE, Q10	1
010-7203	SACRUM, FRONT PLATE, Q10	1
010-7251	SACRUM CENTRAL SUPPORT, FRONT, Q10	1
010-7252	SACRUM CENTRAL SUPPORT, REAR, Q10	1
5001197-FT	SCREW FHCS M4 X 0.7 X 25 ZINC	8
010-7012	PUBIC BUFFER MOLDED, Q10	2
W50-71059-DN	STRUCT. REPL. PUBIC LOAD C.	1
5001198-FT	SCREW FHCS M5 X 0.8 X 16 ZINC	8
5001187-FT	SCREW SHCS M4 X 0.7 X 10 ZINC	8
5001191-FT	SCREW SHCS M4 X 0.7 X 8 ZINC	6
5001201-FT	SCREW BHCS M4 X 0.7 X 8 ZINC	6
010-2007	LOAD CELL STRUCTURAL REPLACEMENT, Q10	1
5001200-FT	SCREW FHCS M6 X 1.0 X 30 ZINC	6
5000414-FT	PIN DOWEL M4 X 10	4
5001190-FT	SCREW SHCS M4 X 0.7 X 25 ZINC	2
5001193-FT	SCREW SHCS M6 X 1.0 X 16 ZINC	2
5001192-FT	SCREW SHCS M5 X 0.8 X 35 ZINC	6
5001186-FT	SCREW SHCS M3 X 0.5 X 20 ZINC	3
5000477-FT	PIN DOWEL M4 X 16	1
5001182-FT	SCREW SHCS M4 X 0.7 X 12 ZINC	1
5001189-FT	SCREW SHCS M4 X 0.7 X 20 ZINC	1
5001183-FT	SCREW SHCS M6 X 1.0 X 20 ZINC	2
010-7022	LC, INTERFACE SACRO ILIAC Q10	2
010-7023	LC, S. R. INTERFACE SACRO ILIAC Q10	2
010-7250	SACRUM CENTRAL SUPPORT ASSEMBLY, Q10	1
010-7024	PLATE, NUT, Q10	2
010-7021	BALLAST, PELVIS, DAS, Q10	2
010-7020	HIP ADJUSTER	2

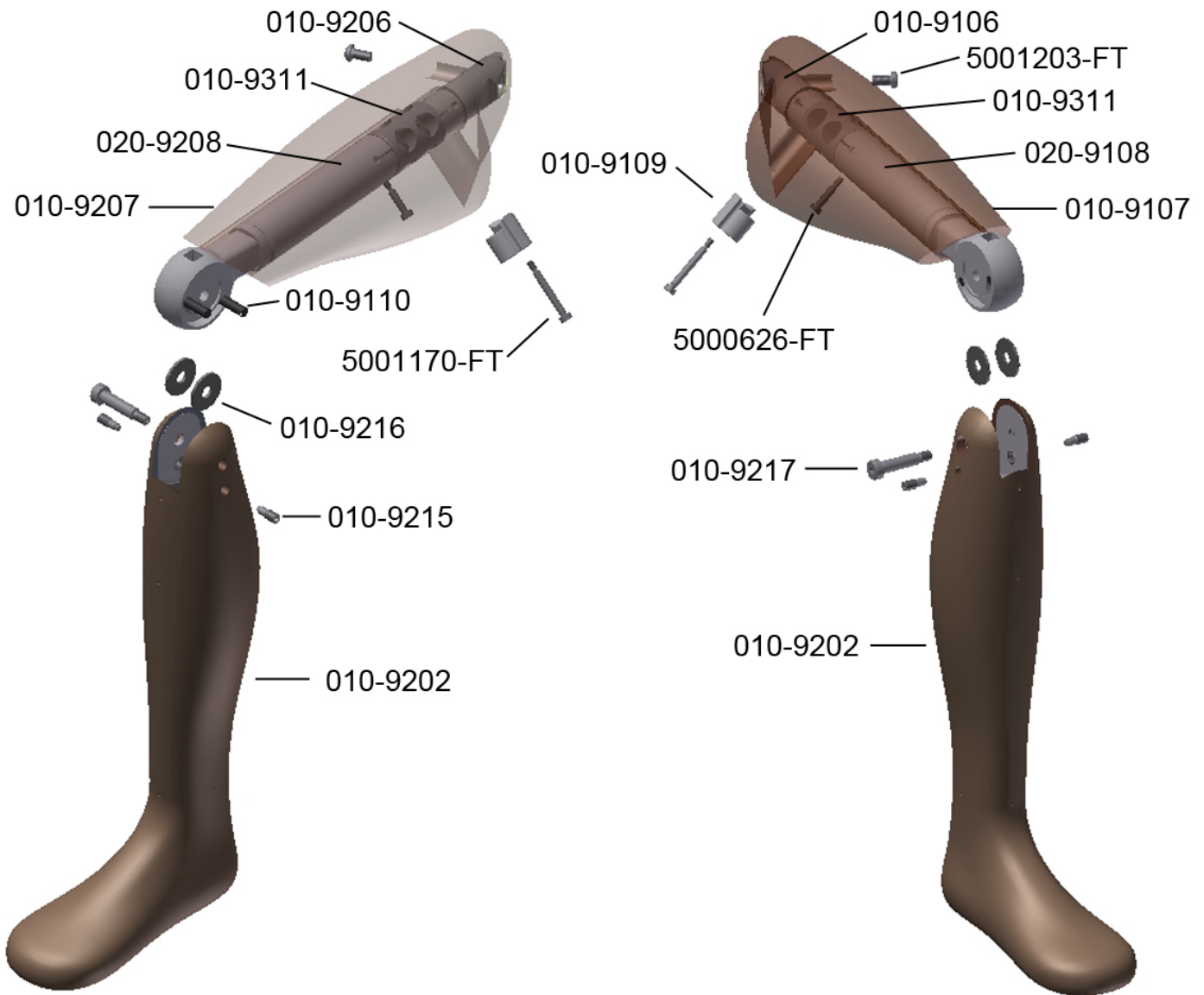
Arms



<i>Part Number</i>	<i>Description</i>	<i>Qty. Req'd Per Dummy</i>
010-9300	ARM ASSEMBLY, LEFT, Q10	1
010-9301	UPPER ARM ASSEMBLY, LEFT, Q10	1
010-9307	UPPER ARM, MOLDED, LEFT, Q10	1
010-9313	SCREW,SHCS MODIFIED M6 X 26, Q10	2
5001174-FT	SCREW SHCS M5 X 0.8 X 12 ZINC	6
010-9316	SCREW,SSNT M8X16 MODIFIED	4
010-9312	UPPER ARM WASHER, Q10	6
010-9308	SHOULDER BALL RETAINER RING, Q10	2
010-9302	LOWER ARM ASSEMBLY, LEFT, Q10	1
010-9305	LOWER ARM, MOLDED, LEFT, Q10	1
010-9315	END STOP, ELBOW, Q10	4
010-9310	WASHER, LOWER ARM, Q10	4

010-9400	ARM ASSEMBLY, RIGHT, Q10	1
010-9401	UPPER ARM ASSEMBLY, RIGHT, Q10	1
010-9407	UPPER ARM, MOLDED, RIGHT, Q10	1
010-9313	SCREW,SHCS MODIFIED M6 X 26, Q10	2
5001174-FT	SCREW SHCS M5 X 0.8 X 12 ZINC	6
010-9316	SCREW,SSNT M8X16 MODIFIED	4
010-9312	UPPER ARM WASHER, Q10	6
010-9308	SHOULDER BALL RETAINER RING, Q10	2
010-9402	LOWER ARM ASSEMBLY, RIGHT, Q10	1
010-9405	LOWER ARM, MOLDED, RIGHT, Q10	1
010-9315	END STOP, ELBOW, Q10	4
010-9310	WASHER, LOWER ARM, Q10	4

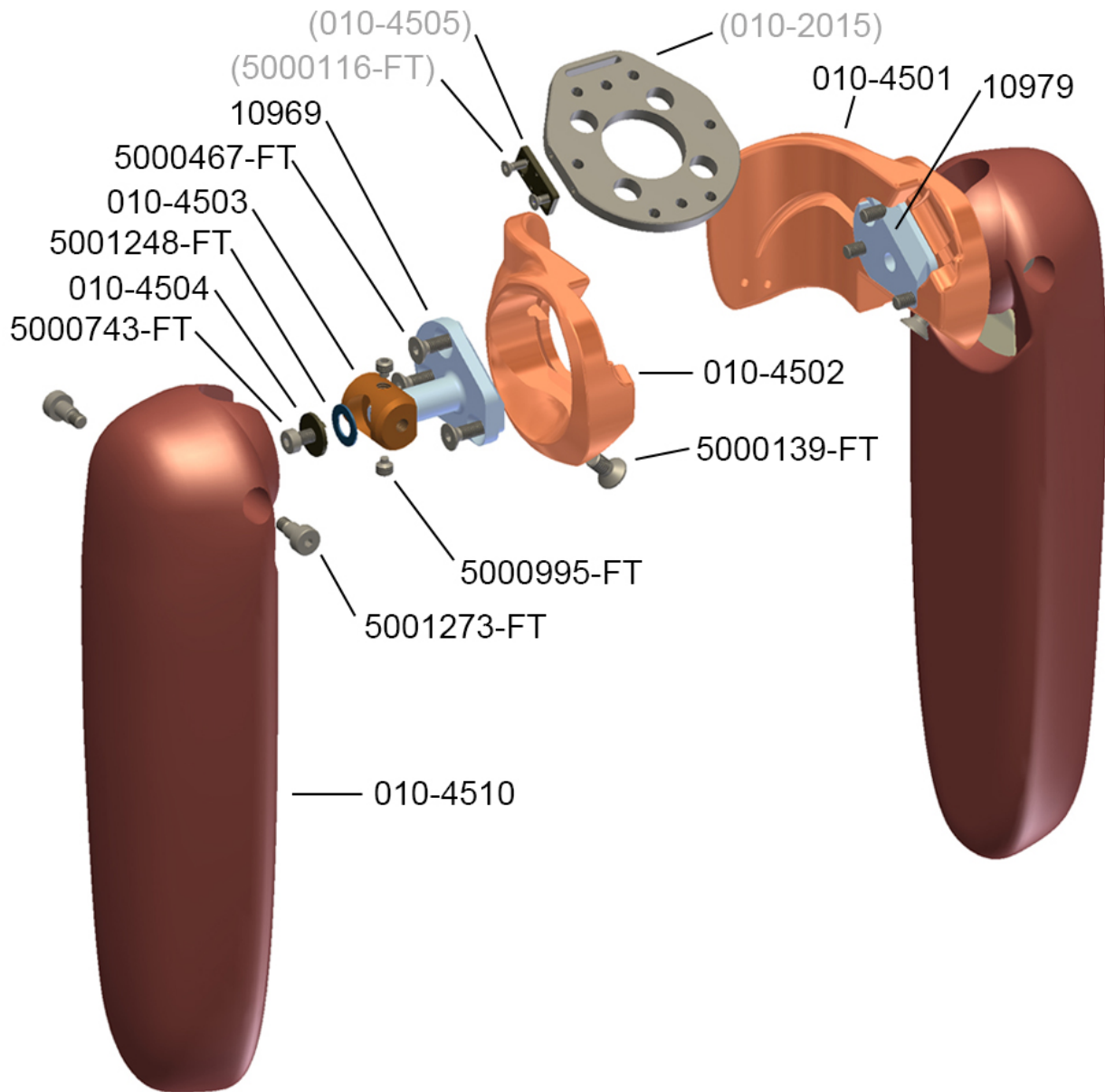
Legs



<i>Part Number</i>	<i>Description</i>	<i>Qty. Req'd Per Dummy</i>
010-9100	LEG ASSEMBLY, LEFT, Q10	1
010-9101	UPPER LEG ASSEMBLY, LEFT, Q10	1
010-9107	UPPER LEG FLESH, LEFT, Q10	1
010-9106	FEMUR BONE, LEFT, Q10	1
010-9311	FEMUR LOAD CELL STRUCT. REPLACEMENT, Q10	1
010-9108	UPPER LEG WELDMENT, LEFT	1
010-9109	INSERT, FLESH RESTRAINT, Q10	1
5000626-FT	SCREW SHSS M6 X 20 (M5 X 0.8 THREAD)	1
5001203-FT	SCREW BHCS M8 X 1.25 X 16 ZINC	1

010-9110	KNEE BUFFER, Q10	1
5001170-FT	SCREW SHSS M6 X 40 (M5 X 0.8 THREAD) SS	1
010-9202	LOWER LEG ASSEMBLY, Q10	1
010-9217	SCREW, SHSS M10X35 MODIFIED	1
010-9215	SCREW, SSNT MODIFIED M8 X20, Q10	2
010-9216	WASHER, KNEE, SPACER Q10	2
010-9200	LEG ASSEMBLY, RIGHT, Q10	1
010-9201	UPPER LEG ASSEMBLY, RIGHT, Q10	1
010-9207	UPPER LEG FLESH, RIGHT Q10	1
010-9206	FEMUR BONE, RIGHT, Q10	1
010-9311	FEMUR LOAD CELL STRUCT. REPLACEMENT, Q10	1
010-9208	UPPER LEG WELDMENT, RIGHT	1
010-9109	INSERT, FLESH RESTRAINT, Q10	1
5000626-FT	SCREW SHSS M6 X 20 (M5 X 0.8 THREAD)	1
5001203-FT	SCREW BHCS M8 X 1.25 X 16 ZINC	1
010-9110	KNEE BUFFER, Q10	1
5001170-FT	SCREW SHSS M6 X 40 (M5 X 0.8 THREAD) SS	1
010-9202	LOWER LEG ASSEMBLY, Q10	1
010-9217	SCREW, SHSS M10X35 MODIFIED	1
010-9215	SCREW, SSNT MODIFIED M8 X20, Q10	2
010-9216	WASHER, KNEE, SPACER Q10	2

Side Impact Shoulder Kit



<i>Part Number</i>	<i>Description</i>	<i>Qty. Req'd Per Dummy</i>
010-4500	Q10 SIDE IMPACT KIT ASSEMBLY	1
5001273-FT	SCREW SHSS M6 X 7 (M5 X 0.8 THREAD) SS	4
10969	STRUCTRUAL REPLACE Q10 RH SHOULDER	1
10979	STRUCTRUAL REPLACE, Q10 LH SHOULDER	1
010-4501	SCAPULAR LEFT - SIDE IMPACT	1
010-4510	ARM ASSY MOLDING - SIDE IMPACT	2
5000467-FT	SCREW FHCS M5 X 0.8 X 16	6

5000995-FT	SCREW SSNT M6 X 6 NYLON TIP	4
5000139-FT	SCREW FHCS M6 X 1 X 12	2
5000743-FT	SCREW LHCS M5 X 0.8 X 8	2
010-4502	SCAPULAR RIGHT - SIDE IMPACT	1
010-4504	SHOULDER WASHER - SIDE IMPACT	2
010-4503	SHOULDER PIVOT - SIDE IMPACT	2
(010-2015)	NECK TO TORSO INTERFACE PLATE, Q10	1
(010-4505)	T1 ACCEL MOUNT	1
(5000116-FT)	SCREW FHCS M3 X 0.5 X 8	2

Accelerometer Mounts

Mount Kits

Accelerometer Type	Complete Dummy	Components		
		Head	Thorax	Pelvis
Endevco 7264 7264C ASM-200BA 126M/CM (qty 3) & DTS ARS Sensor Series (qty 3)	1032533	1032489	1032489	1032489
7264A/B EGAS-FS-50	1032543	1032500	1032500	1032500
7264A 7264B EGAS-FS-50 with DTS ARS Sensor Series (qty 3)	1032544	1032539	1032539	1032539
7264C, EGAS-FS-50 without DTS ARS	1032545	1032540	1032540	1032540

Clothes / Misc.

Part Number	Description	Qty. Req'd Per Dummy
010-8000	SUIT, Q10	1
010-8001	HIP SHIELD, LEFT	1
010-8002	HIP SHIELD, RIGHT	1
010-9900	USER MANUAL Q10	1
6004300	SPA-2 RED PIN SPANNER	1