

Humanetics Innovative Solutions, Inc.

Q0 Child Dummy
(6 week old, Newborn)
047-0000



Parts Catalog





For information on Humanetics products, please visit our web site at www.humaneticsatd.com

or contact:

Humanetics Innovative Solutions
47460 Galleon Drive
Plymouth, MI 48170, USA
Telephone: 734-451-7878
Fax: 734-451-9549

No part of this publication may be reproduced, stored in a retrieval system or transmitted in any form or by any means, electronic, photocopying, recording, mechanical or otherwise, without the express written consent of Humanetics Innovative Solutions.

Copyright © 2015 Humanetics Innovative Solutions, All rights reserved.

The information in this catalog is furnished for informational use only, and is subject to change without notice. Humanetics Innovative Solutions assumes no responsibility or liability for any errors or inaccuracies that may appear in this catalog.

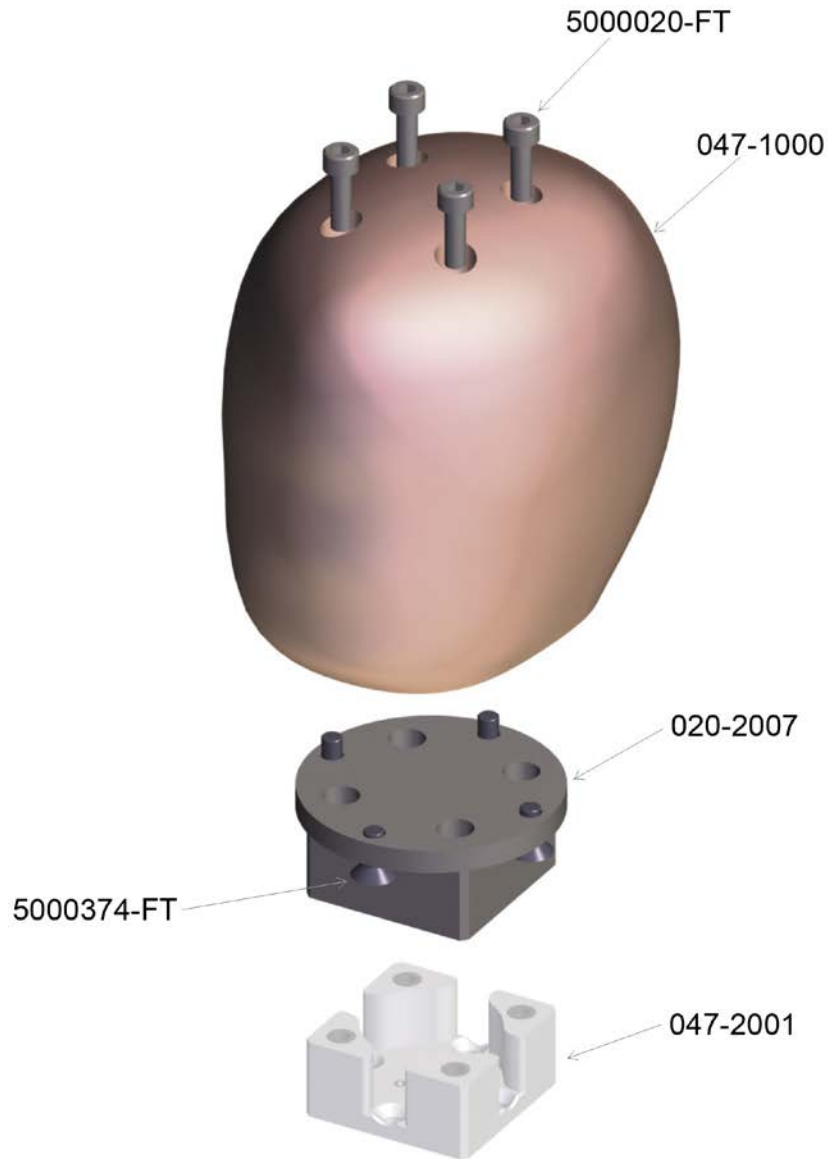
Table of Contents

Head Assembly	4
Neck Assembly.....	5
Shoulder and Arms.....	6
Torso Assembly.....	7
Lumbar Assembly	8
Pelvis and Legs.....	9
Accelerometer Mounts	10
Clothes/Misc.....	10

Background

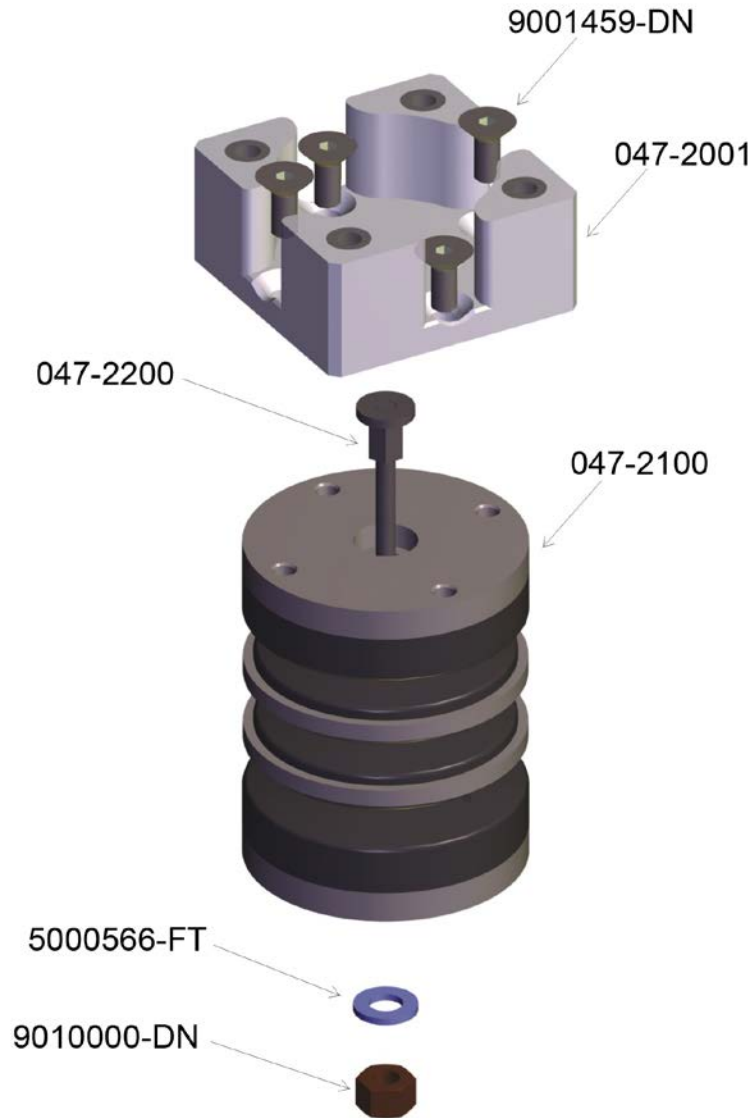
The Q0 newborn child dummy development started with the CHILD project in 2002. The prototype Q0 dummy became available for evaluation testing in the CHILD-project in 2003. Results of the first evaluations have been published and the 19th Enhanced Safety of Vehicles conference in 2005. In 2004 the design was frozen, and since then the dummy has been commercially available.

Head Assembly



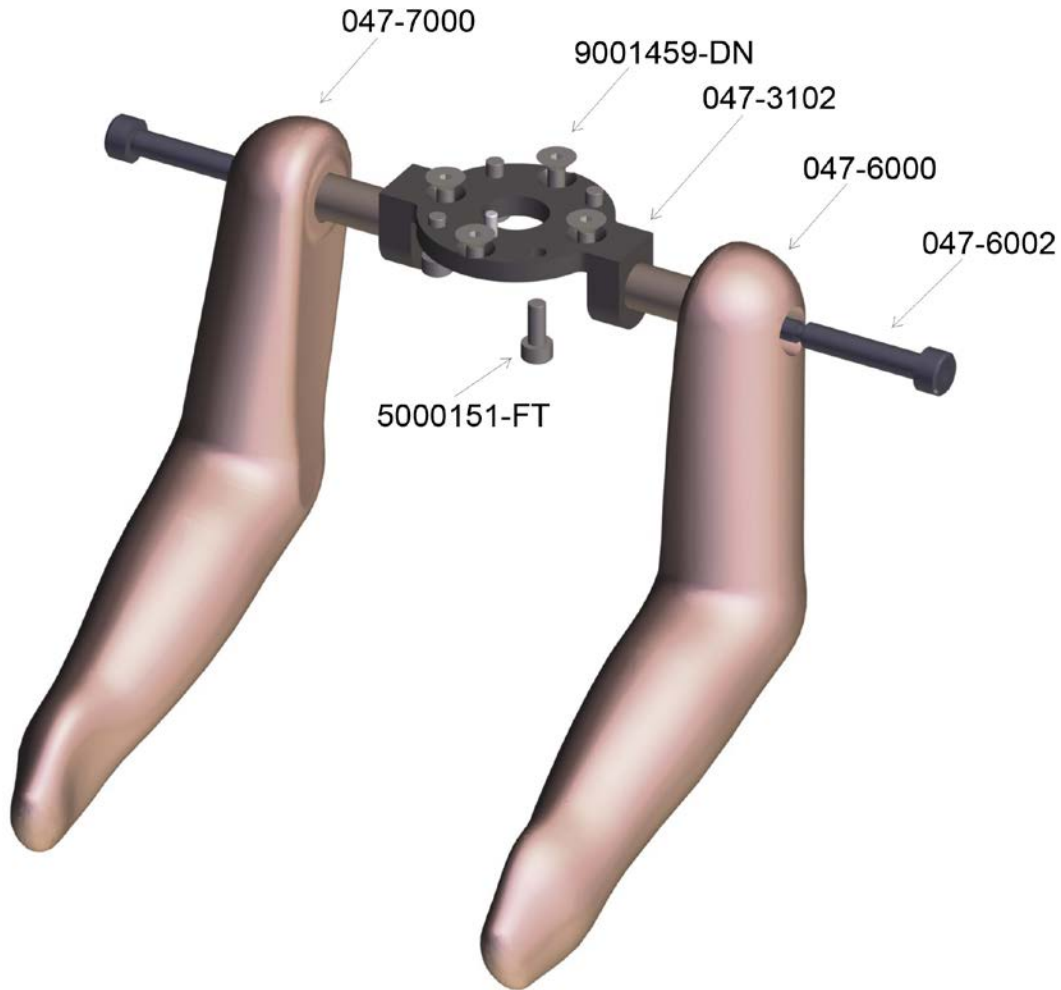
Part Number	Description	Qty. Req'd Per Dummy
047-1000	HEAD ASSY T/C - Q0	1
9000873-DN	SCREW, FHCS M4 X 12MM LONG	4
020-2007	LC STRUCTURAL REPLACEMENT	1
5000020-FT	SCREW SHCS M5 X 0.8 X 16	4
5000374-FT	SCREW FHCS M5 X 0.8 X 12	4
047-2001	Q0 ACCEL MOUNT (REF)	1

Neck Assembly



Part Number	Description	Qty. Req'd Per Dummy
047-2000	NECK ASSY Q0 - T/C	1
047-2104	NECK CABLE ASSEMBLY, Q0 TESTED	1
047-2100	SPINE MOLDED, NECK/LUMBAR, T/C	1
047-2200	NECK/LUMBAR CABLE ASSY	1
9010000-DN	NUT, HEX M5	1
5000566-FT	WASHER FLAT M5 (5.3 X 10 X 1) ZINC	1
047-2001	MOUNT, Q0 ACCELEROMETER	1
9001459-DN	SCREW, FHCS M4 X .7 X 10MM LONG	4

Shoulder and Arms



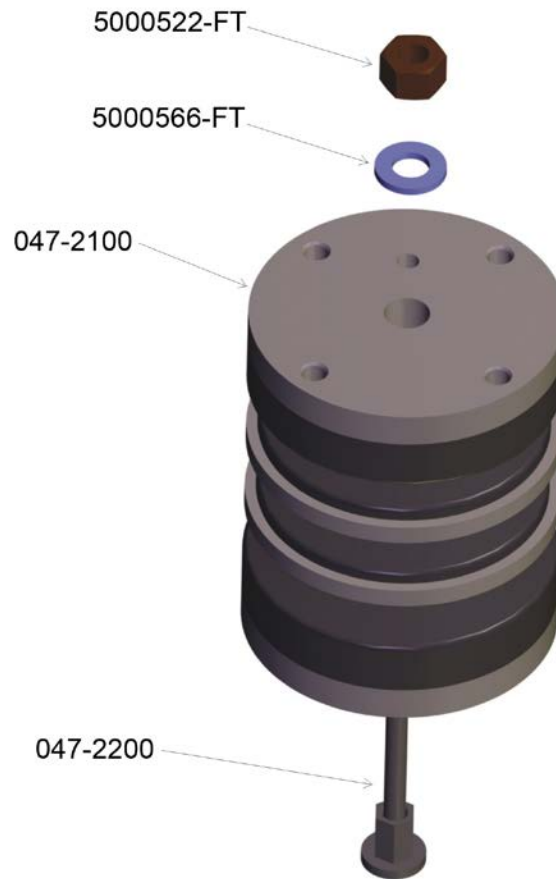
Part Number	Description	Qty. Req'd Per Dummy
047-3102	TORSO TOP PLATE	1
5000151-FT	SCREW SHCS M4 X 0.7 X 10	4
9001459-DN	SCREW, FHCS M4 X .7 X 10MM LONG	4
047-6000	ARM ASSY LEFT	1
047-6001	ARM BUSHING	1
047-7000	ARM ASSY RIGHT	1
047-6001	ARM BUSHING	1
047-6002	SHOULDER SCREW MODIFIED	1

Torso Assembly



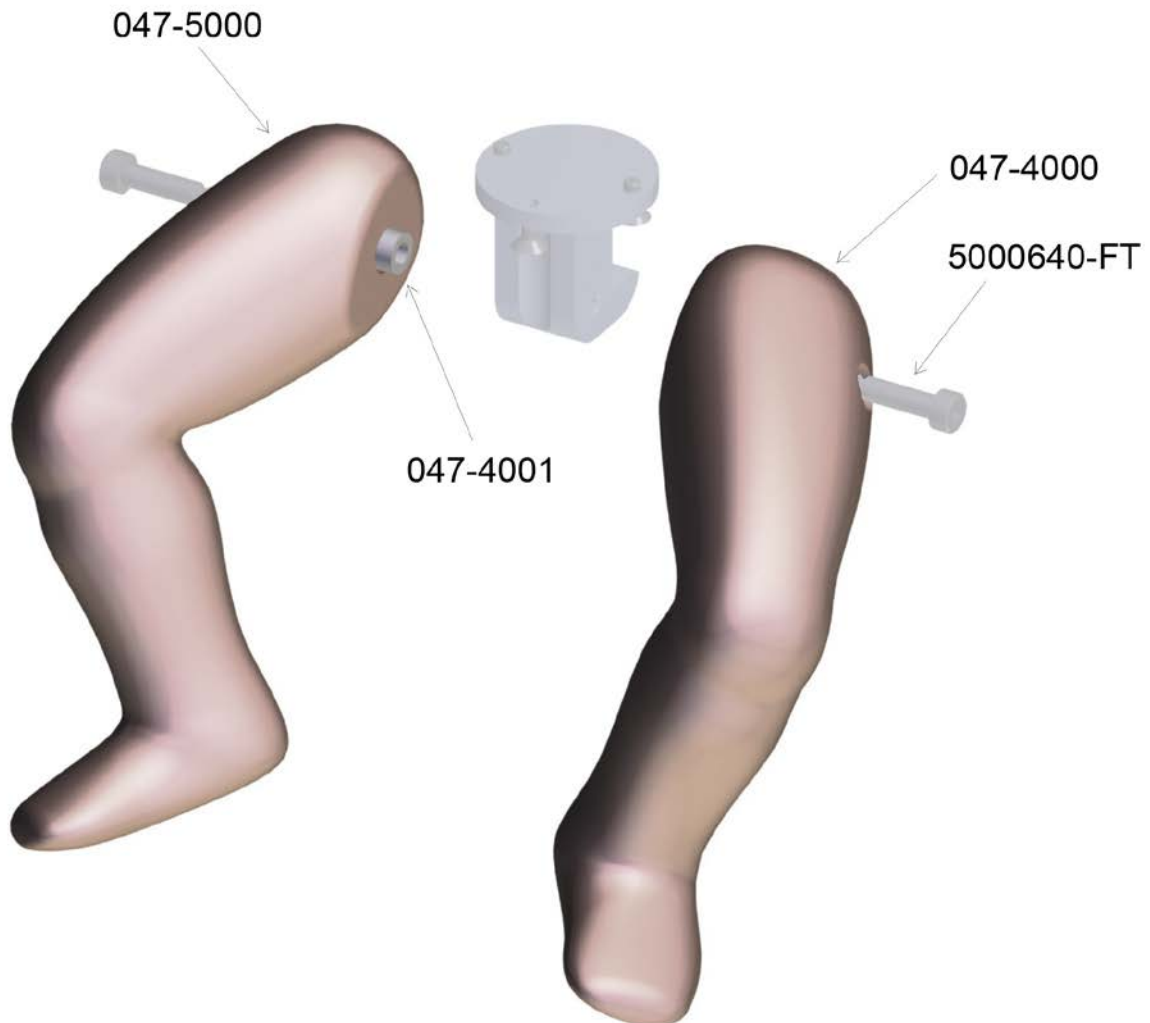
Part Number	Description	Qty. Req'd Per Dummy
047-3000	TORSO ASSY - Q0	1
047-3001	TORSO FLESH	1
047-3100	SPINE ASSY - Q0	1
047-3101	THORATIC SPINE	1
047-3102	TORSO TOP PLATE	1
047-3103	THORATIC SPINE BOTTOM PLATE	1
047-2104	NECK CABLE ASSEMBLY, Q0 TESTED	1
047-3200	PELVIS BONE	1
5000151-FT	SCREW SHCS M4 X 0.7 X 10	4
9001459-DN	SCREW, FHCS M4 X .7 X 10MM LONG	11

Lumbar Assembly



<i>Part Number</i>	<i>Description</i>	<i>Qty. Req'd Per Dummy</i>
047-3000 (Con't)	TORSO ASSY - Q0	1
047-2104	NECK CABLE ASSEMBLY, Q0 TESTED	1
047-2100	SPINE MOLDED, NECK/LUMBAR, T/C	1
047-2200	NECK/LUMBAR CABLE ASSEMBLY	1
5000522-FT	NUT HEX NYLON INSERT M5 X 0.8 ZINC	1
5000566-FT	WASHER FLAT M5 (5.3 X 10 X 1) ZINC	1

Legs



<i>Part Number</i>	<i>Description</i>	<i>Qty. Req'd Per Dummy</i>
047-4000	LEG ASSY LEFT	1
047-4001	LEG BUSHING	1
5000640-FT (REF)	SCREW SHSS M6 X 20 (M5 X 0.8 THREAD) SS	1
047-5000	LEG ASSY RIGHT	1
047-4001	LEG BUSHING	1
5000640-FT (REF)	SCREW SHSS M6 X 20 (M5 X 0.8 THREAD) SS	1

Accelerometer Mounts

Accelerometer Type	Complete Dummy	Components		
		Head	Chest	Pelvis
Endevco 7264-2000 7264C-2000 Kyowa ASM-200BA	1032453	1032502	1032502	1032502
7264A 7264B EGAS-FS-50 (qty 3)	1032454	1032500	1032500	1032500

Clothes / Misc.

Part Number	Description	Qty. Req'd Per Dummy
047-9000	Q0 SUIT	1
047-9900	USER MANUAL - Q0 DUMMY	1

