



Humanetics Innovative Solutions, Inc.

Hybrid-III 6 Year-Old Child Dummy

127-0000-H

FMVSS213, 49CFR Part 572, Subpart N



Brand Harmonized Parts Catalog





For information on Humanetics products, please visit our web site at www.humaneticsatd.com

or contact:

Humanetics Innovative Solutions

23300 Haggerty Road

Farmington Hills, Michigan

48335 USA

Tel: +1 248 778 2000

Fax: +1 248 778 2001

No part of this publication may be reproduced, stored in a retrieval system or transmitted in any form or by any means, electronic, photocopying, recording, mechanical or otherwise, without the express written consent of Humanetics Innovative Solutions.

Copyright © 2017 Humanetics Innovative Solutions, All rights reserved.

The information in this catalog is furnished for informational use only, and is subject to change without notice. Humanetics Innovative Solutions assumes no responsibility or liability for any errors or inaccuracies that may appear in this catalog.

Table of Contents

| | |
|-------------------------------------|-------|
| Head Assembly | 4 |
| Neck Assembly..... | 5-6 |
| Thorax Assembly | 7-8 |
| Shoulder Assembly Left / Right..... | 9-10 |
| Arm Assembly Left / Right | 11-12 |
| Transducer Mount Assembly | 13 |
| Transducer Assembly | 14 |
| Lower Torso Assembly | 15-16 |
| Leg Assembly Left / Right..... | 17-18 |
| Accelerometer Mount Matrix | 19 |
| Clothes / Misc | 19 |

Background

The Hybrid III 6 Year Old Child Crash Test Dummy was developed in cooperation with the SAE Biomechanics Committees and the National Highway Transport Safety Administration (NHTSA). Originally designed in 1993, the dummy went through a complete upgrade in 1997 to enable the dummy to evaluate airbag aggressiveness when a child is close to a deploying airbag. The "Out Of Position" (OOP) test procedures require a dummy to accurately measure neck loading, chest compression and Viscous Criterion while being durable and repeatable in these severe test conditions. The Hybrid III 6 Year Old dummy is dynamically tested and proven to the latest frontal crash environments. The anthropometry of the dummy is derived from NHTSA Research studies and the biomechanical corridors are derived from scaling of the adult dummies.

Head Assembly – Harmonized

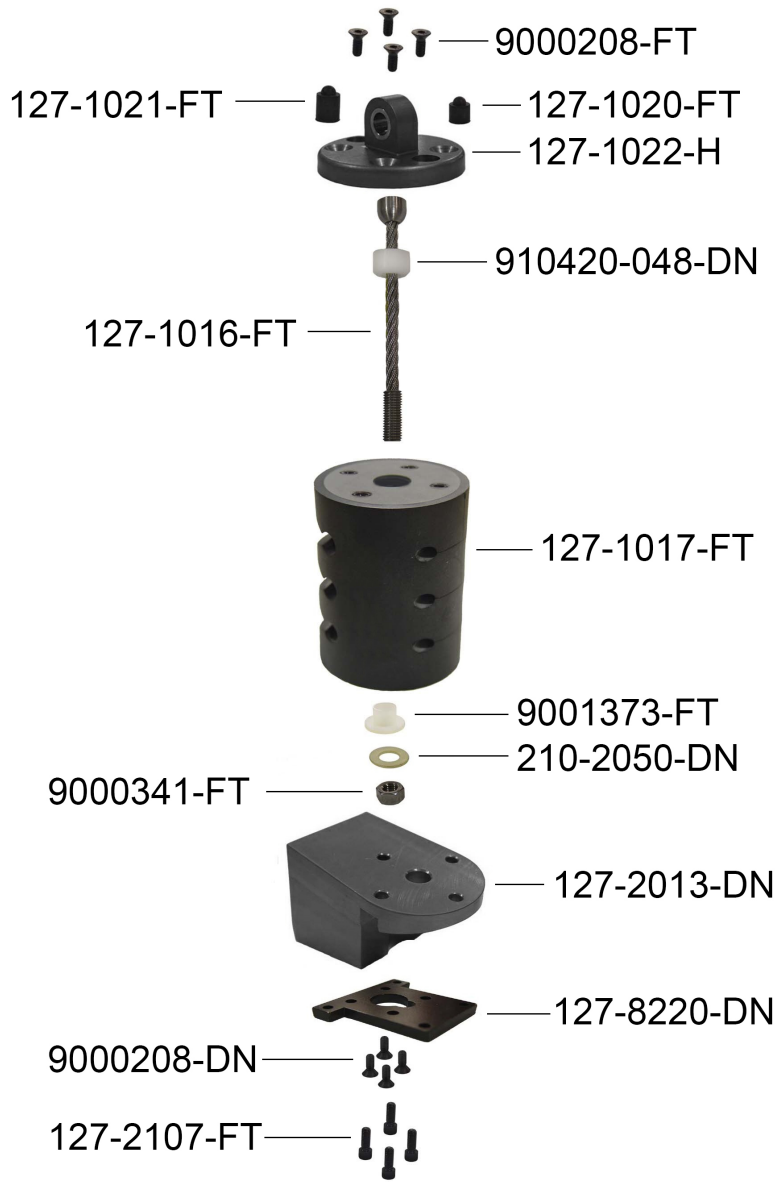


| Part Number | Description | Qty. Req'd Per Dummy |
|-------------------|--|----------------------|
| 127-1000-H | HEAD ASSEMBLY, H3 6 YO | 1 |
| 127-1001-DN | SKULL, 6 AXIS, HIII 6YR | 1 |
| 127-1003-DN | 6 YR H3-LOAD CELL SPACER | 1 |
| 127-1004-DN | SKULL CAP, HIII 6YR | 1 |
| 127-1008-H | HEAD SKIN | 1 |
| 127-1009-H | SKIN CAP, SKULL | 1 |
| 78051-253-DN | WASHER - NODDING JOINT | 2 |
| 9000452-DN | SCREW, SSCP 8-32 X 1/4 | 2 |
| 1717 | PIVOT PIN - NECK | 1 |
| 9000453-DN | SCREW, SHCS 1/4-28 X 3/4 | 4 |
| 9000147-DN | SCREW, SHCS 10-32 X 1/2 | 3 |
| 78051-383X-DN | NECK TRANSDUCER STRUCTURAL REPLACEMENT | 1 |

*The Complete Head Assembly is supplied with an accelerometer mount kit free of charge. Please specify the type required when placing order.

*Accelerometer Mount - Refer to Accelerometer Mount Matrix for Options

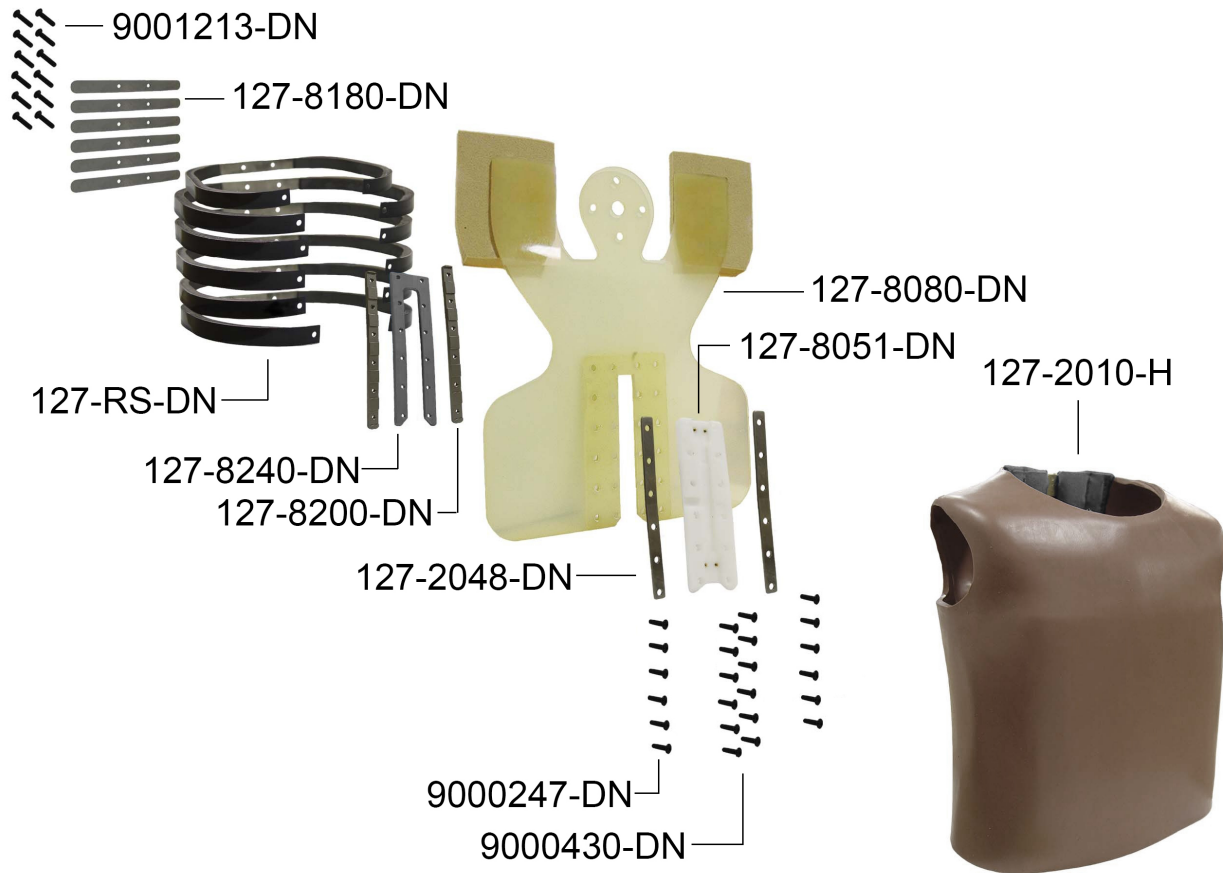
Neck Assembly – Harmonized



| Part Number | Description | Qty. Req'd Per Dummy |
|-------------------|-------------------------------|----------------------|
| 127-1015-H | NECK ASSY COMPLETE T/C | 1 |
| 127-1017-FT | NECK MOLDED T/C | 1 |
| 127-1016-FT | CABLE NECK | 1 |
| 127-1020-FT | NODDING BLOCK, FRONT | 1 |
| 127-1021-FT | NODDING BLOCK, BACK | 1 |
| 127-1022-H | NODDING JOINT ASSEMBLY | 1 |
| 910420-048-DN | MOUNTING PLATE INSERT | 1 |
| 9000341-FT | NUT HEX 5/16-24 ZINC | 1 |
| 210-2050-DN | WASHER, URETHANE | 1 |
| 9001373-FT | BUSHING SHOULDER NYLON | 1 |

| | | |
|--------------------|--|----------|
| 127-2107-FT | SCREW MODIFIED | 4 |
| 9000208-FT | SCREW FHCS 10-32 X 1/2 | 4 |
| 127-8221-DN | NECK BRACKET ASSEMBLY, HIII 6YR | 1 |
| 127-2013-DN | BRACKET, UPPER NECK - H3-6YO | 1 |
| 127-8220-DN | NECK BRACKET PLATE, HIII 6YR | 1 |
| 9000208-DN | SCREW, FHCS 10-32 X 1/2 | 1 |

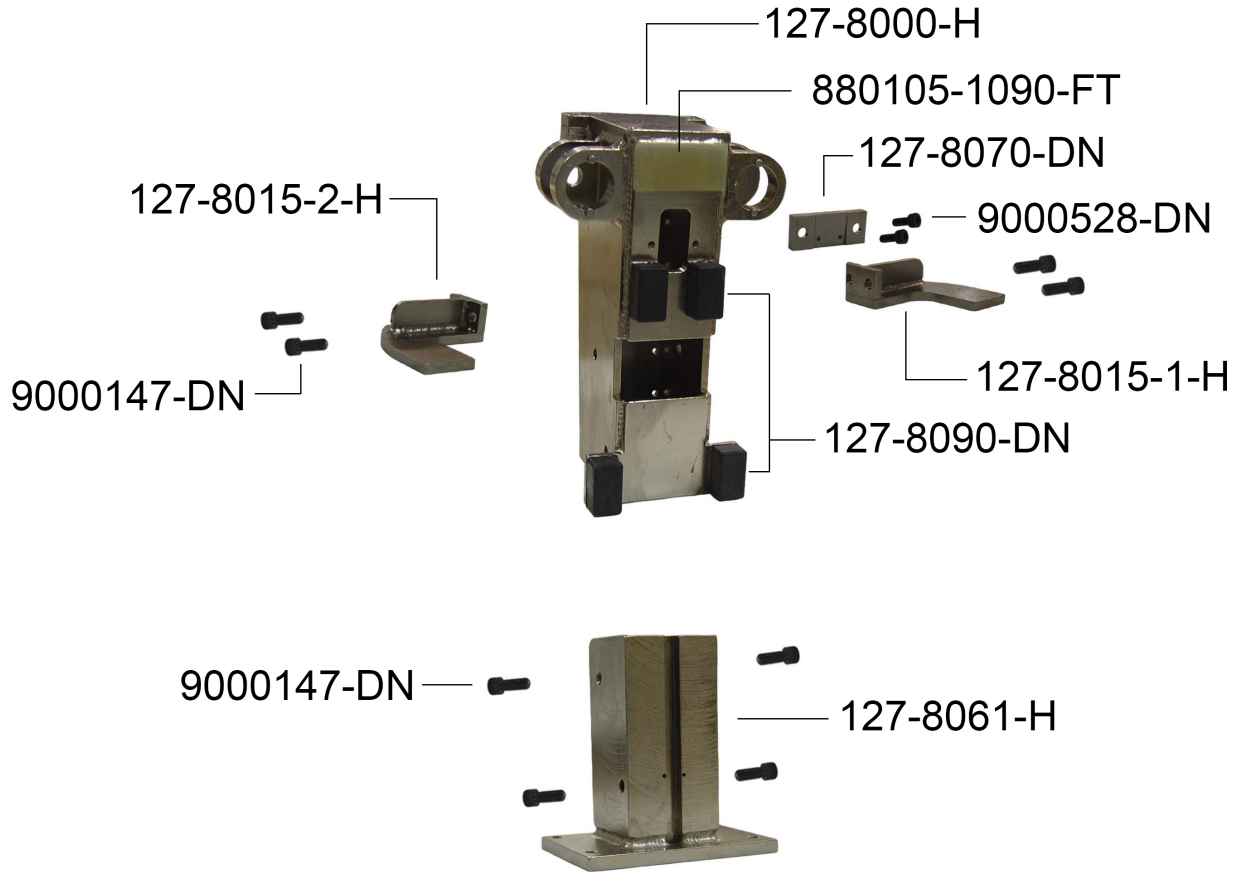
Thorax Assembly – Harmonized



| Part Number | Description | Qty. Req'd Per Dummy |
|-------------------|--------------------------------------|----------------------|
| 127-2000-H | UPPER TORSO ASSEMBLY | 1 |
| 127-2010-H | H3-6YO CHEST FLESH ASSEMBLY | 1 |
| 127-RS-DN | RIB SET | 1 |
| 127-8110-DN | RIB ASSY, - RIB 1 | 1 |
| 127-8120-DN | RIB ASSY, - RIB 2 | 1 |
| 127-8130-DN | RIB ASSY, - RIB 3 | 1 |
| 127-8140-DN | RIB ASSY, - RIB 4 | 1 |
| 127-8150-DN | RIB ASSY, - RIB 5 | 1 |
| 127-8160-DN | RIB ASSY, - RIB 6 | 1 |
| 127-8051-DN | 6 YR H3- STERNUM BALL SLIDER | 1 |
| 127-8080-DN | 6 YR H3-BIB ASSEMBLY | 1 |
| 127-2048-DN | 6 YR H3-FRONT RIB STIFFENER | 2 |
| 127-8200-DN | 6 YR H3-STRIP THREADED-FRONT RIB END | 2 |
| 127-8240-DN | 6 YR H3-STERNUM | 1 |
| 127-8180-DN | RIB SUPPORT, REAR, HIII 6YR | 6 |
| 9000247-DN | SCREW, BHCS 6-32 X 1/2 | 12 |
| 9000430-DN | SCREW, BHCS 6-32 X 5/8 | 12 |
| 9001213-DN | SCREW, BHCS 6-32 X 3/8 | 12 |

*The Complete Upper Torso Assembly is supplied with an accelerometer mount kit free of charge. Please specify the type required when placing order.

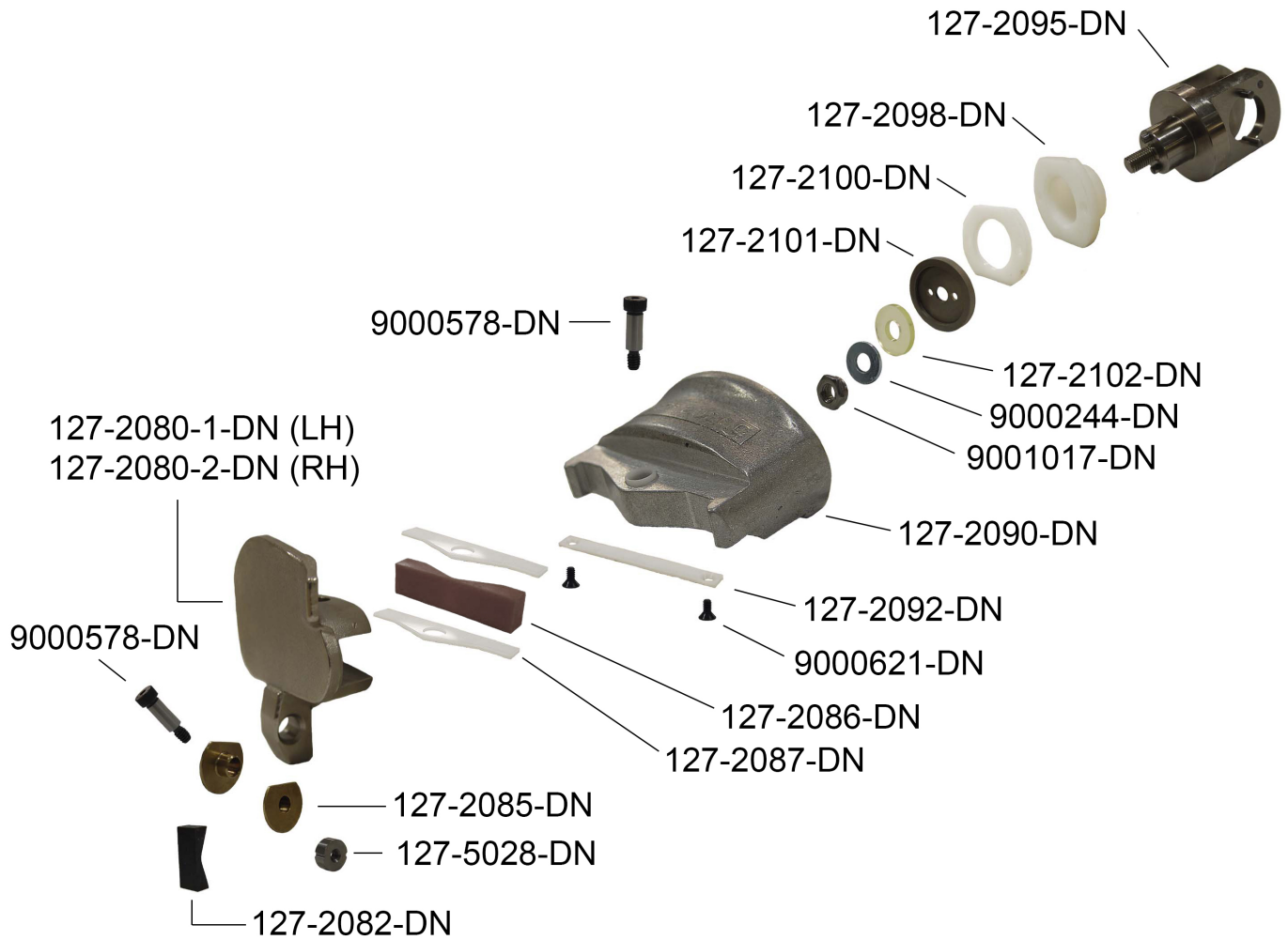
Thorax Assembly – Harmonized (Con’t)



| Part Number | Description | Qty. Req'd Per Dummy |
|---------------------------|--------------------------------|----------------------|
| 127-2000-H (Con't) | UPPER TORSO ASSEMBLY | 1 |
| 127-8000-H | MACHINED SPINE BOX, H3-6YO | 1 |
| 880105-1090-FT | PAD, SPINE FRONT URETHANE | 1 |
| 127-8070-DN | ACCELEROMETER MOUNT, (X) MOUNT | 1 |
| 127-8015-1-H | TOP RIB STOP ASSEMBLY-LEFT | 1 |
| 127-8015-2-H | TOP RIB STOP ASSEMBLY, RIGHT | 1 |
| 127-8090-DN | STOP STERNUM | 4 |
| 127-8061-H | THORAX C.G. WEIGHT ASSEMBLY | 1 |
| 9000528-DN | SCREW, SHCS 4-40 X 1/4 | 2 |
| 9000147-DN | SCREW, SHCS 10-32 X 1/2 | 12 |

*The Complete Upper Torso Assembly is supplied with an accelerometer mount kit free of charge. Please specify the type required when placing order.

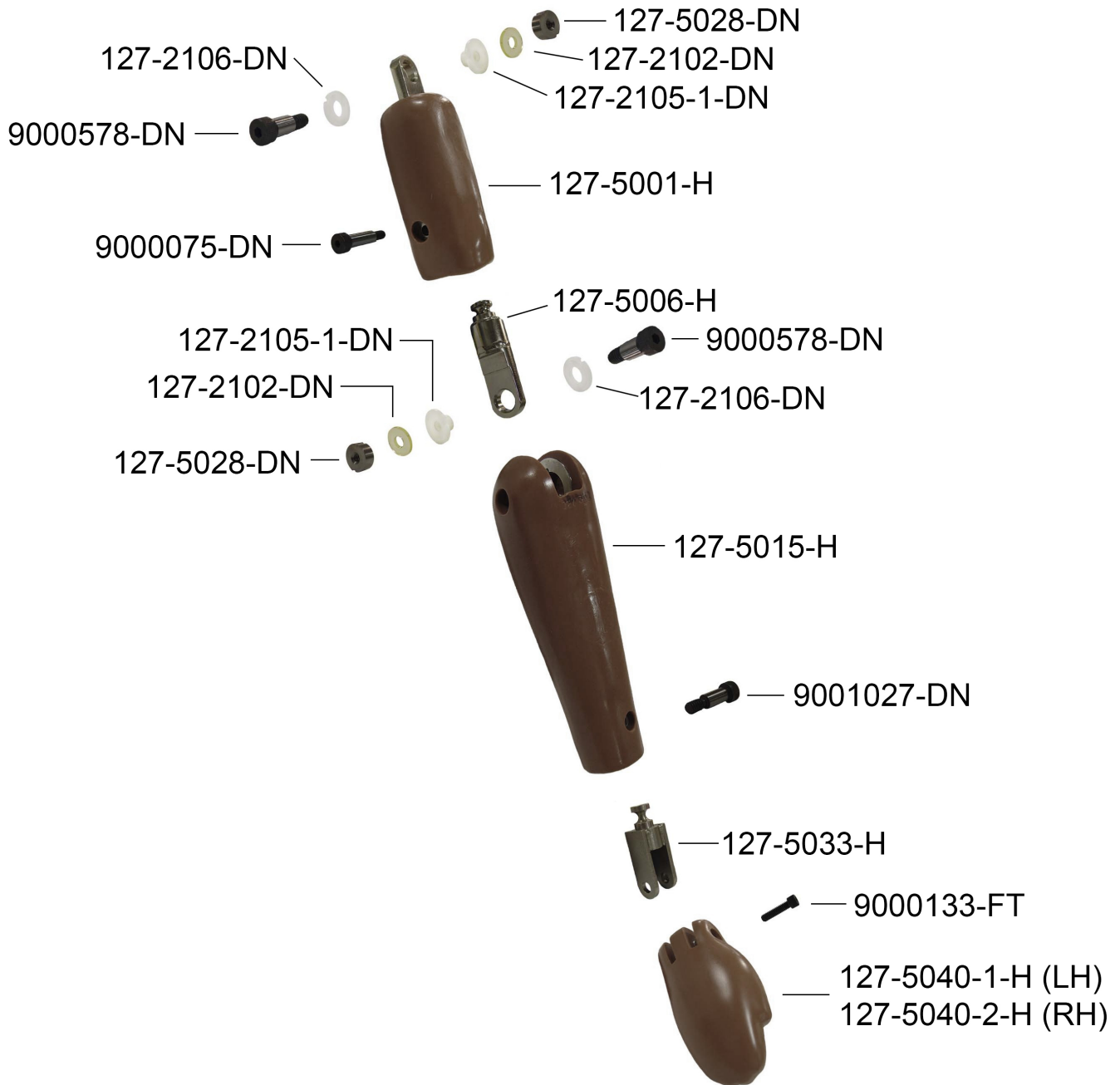
Shoulder Assembly Left / Right – Harmonized



| Part Number | Description | Qty. Req'd Per Dummy |
|---------------------------|---------------------------------|----------------------|
| 127-2000-H (Con't) | UPPER TORSO ASSEMBLY | 1 |
| 127-2079-1-H | SHOULDER ASSEMBLY, LEFT | 1 |
| 127-2079-2-H | SHOULDER ASSEMBLY, RIGHT | 1 |
| 127-2080-1-DN | 6 YR H3-CLAVICULAR LINK, LEFT | 1 |
| 127-2080-2-DN | 6 YR H3-CLAVICULAR LINK, RIGHT | 1 |
| 127-2082-DN | 6 YR SHOULDER ELEVATION BUMPER | 1 |
| 127-2085-DN | BUSHING | 2 |
| 127-2086-H | CLAVICLE SPRING STOP H3-6YR | 1 |
| 127-2087-DN | 6 YR H3-CLAVICLE SPACERS | 2 |
| 127-2090-DN | 6 YR H3-CLAVICLE | 1 |
| 127-2081-DN | 6 YR H3-CLAVICLE BUSHING | 1 |
| 127-2092-DN | 6 YR H3-CLAVICLE RIB PROTECTION | 1 |
| 127-2095-DN | 6 YR H3-SHOULDER YOKE | 1 |
| 127-2098-DN | 6 YR H3-SHOULDER BUSHINGS | 1 |
| 127-2100-DN | 6 YR H3-YOKE WASHER BUSHING | 1 |
| 127-2101-DN | 6 YR H3-YOKE RETAINING WASHER | 1 |
| 127-2102-DN | 6 YR H3-YOKE SPRING WASHER | 2 |

| | | |
|---------------|--|---|
| 127-2105-1-DN | 6 YR H3-SHOULDER, ELBOW, & KNEE BUSHING | 1 |
| 127-2106-DN | 6 YR H3-BUSHING WSHR ELBOW/SHOULDER/KNEE | 1 |
| 127-5028-DN | 6 YR H3-NUT | 1 |
| 9000578-DN | SCREW, SHSS 5/16 X 3/4 | 1 |
| 9000621-DN | SCREW, FHCS 4-40 X 1/4 | 2 |
| 9001017-DN | NUT, HEX LOCK 1/4-28 | 1 |
| 9010334-DN | WASHER, FLAT .312 ID X .75 OD X .06 THK, | 1 |

Arm Assembly Left / Right – Harmonized



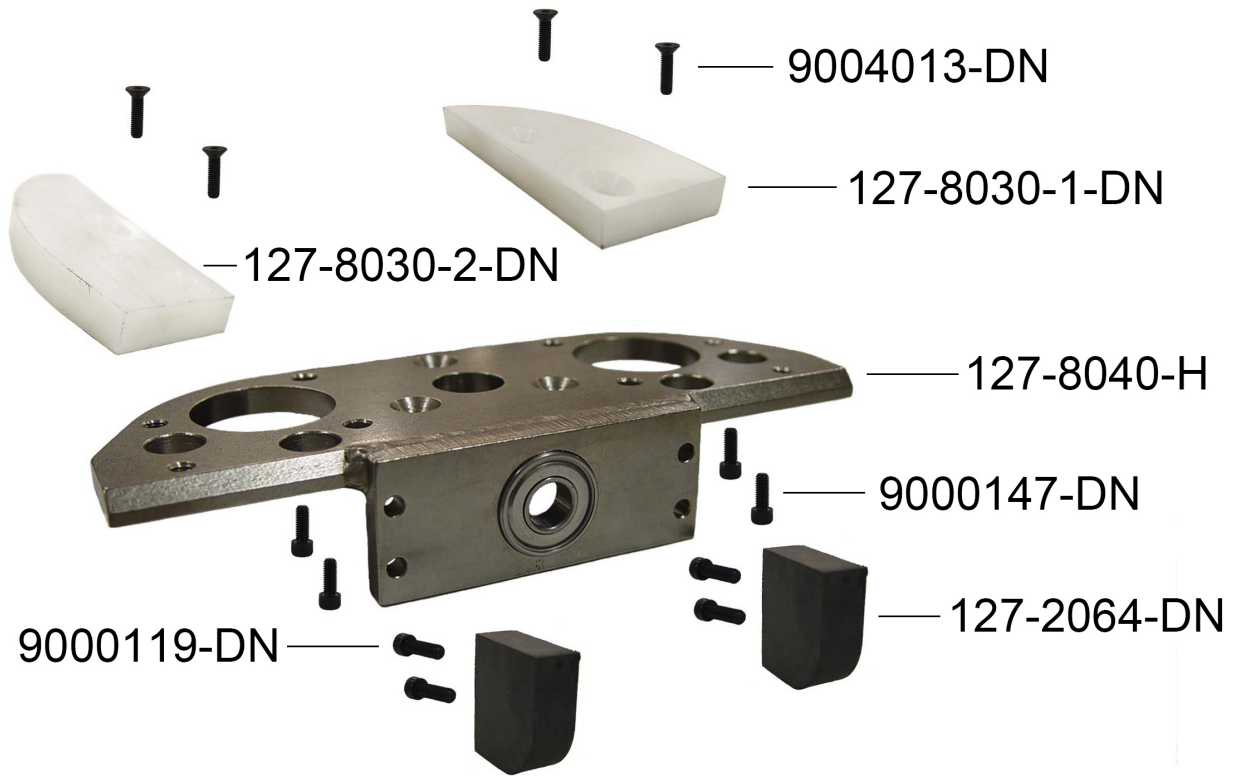
| Part Number | Description | Qty. Req'd Per Dummy |
|---------------------|--|----------------------|
| 127-5000-1-H | ARM ASSEMBLY, LEFT | 1 |
| 127-5000-2-H | ARM ASSEMBLY, RIGHT | 1 |
| 127-2102-DN | 6 YR H3-YOKE SPRING WASHER | 1 |
| 127-2105-1-DN | 6 YR H3-SHOULDER, ELBOW, & KNEE BUSHING | 1 |
| 127-2106-DN | 6 YR H3-BUSHING WSHR ELBOW/SHOULDER/KNEE | 1 |
| 127-5001-H | UPPER ARM MOLDED ASSEMBLY | 1 |
| 127-5006-H | UPPER ARM, LOWER PART WELDMENT | 1 |

| | | |
|--------------|------------------------------|---|
| 127-5015-H | LOWER ARM ASSEMBLY, MOLDED | 1 |
| 127-5028-DN | 6 YR H3-NUT | 1 |
| 127-5033-H | LOWER ARM WRIST ROTATION | 1 |
| 127-5040-1-H | HAND ASSEMBLY, MOLDED, LEFT | 1 |
| 127-5040-2-H | HAND ASSEMBLY, MOLDED, RIGHT | 1 |
| 9000075-DN | SCREW, SHSS 1/4 X 3/4 | 1 |
| 9000578-DN | SCREW, SHSS 5/16 X 3/4 | 1 |
| 9001027-DN | SCREW, SHSS 1/4 X 1/2 | 1 |
| 9005002-DN | SCREW, SHCS 1/4-20 X 1 | 1 |
| 9005066-DN | SCREW, SHCS 6-32 X 1 | 1 |

SHOWN, BUT NOT INCLUDED IN SHOULDER SECTION OF ARM ASSEMBLIES *(Included with Clavicle assy)*

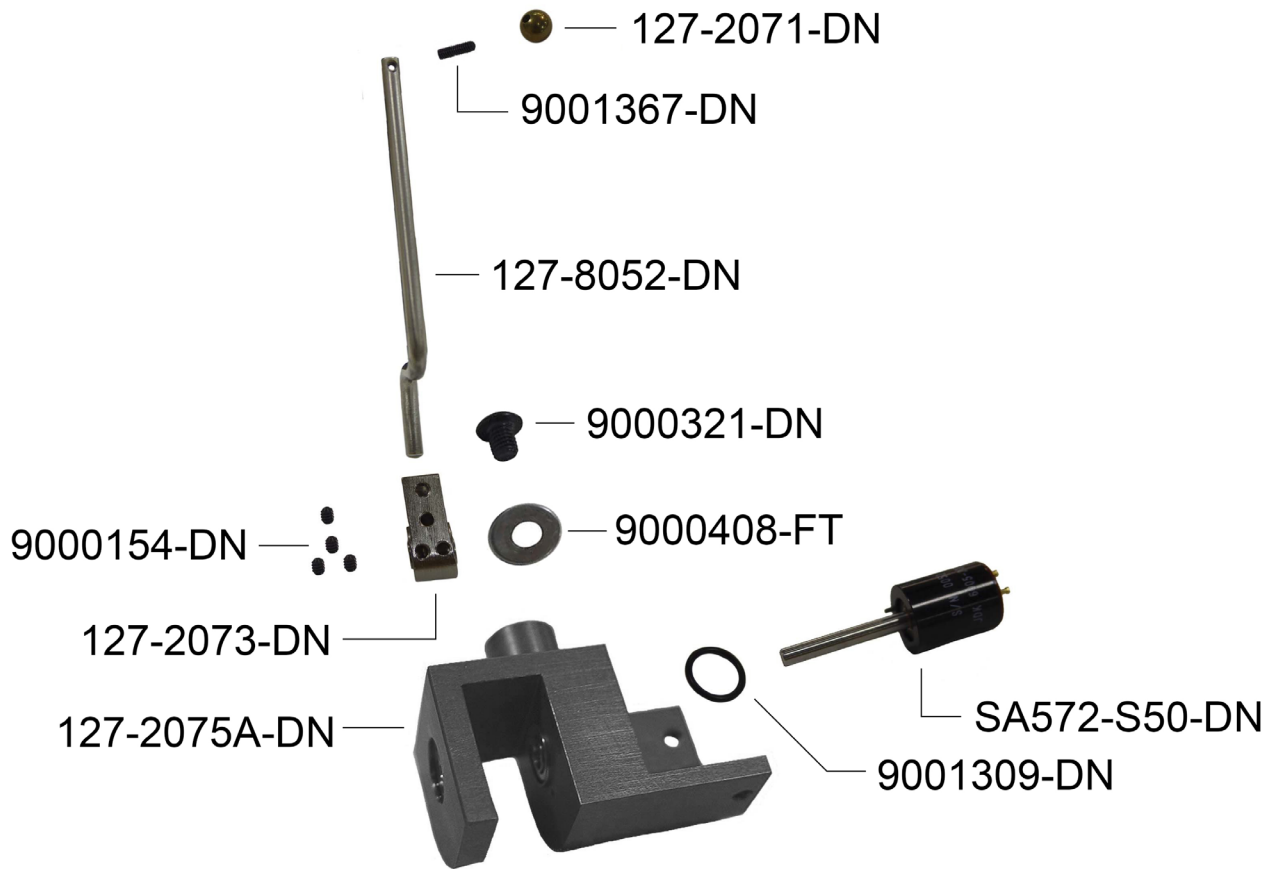
| | | |
|----------------------|--|----------|
| <i>127-2102-DN</i> | <i>6 YR H3-YOKE SPRING WASHER</i> | <i>2</i> |
| <i>127-2105-1-DN</i> | <i>6 YR H3-SHOULDER, ELBOW, & KNEE BUSHING</i> | <i>1</i> |
| <i>127-2106-DN</i> | <i>6 YR H3-BUSHING WSHR ELBOW/SHOULDER/KNEE</i> | <i>1</i> |
| <i>127-5028-DN</i> | <i>6 YR H3-NUT</i> | <i>1</i> |
| <i>9000578-DN</i> | <i>SCREW, SHSS 5/16 X 3/4</i> | <i>1</i> |

Transducer Mount Assembly – Harmonized



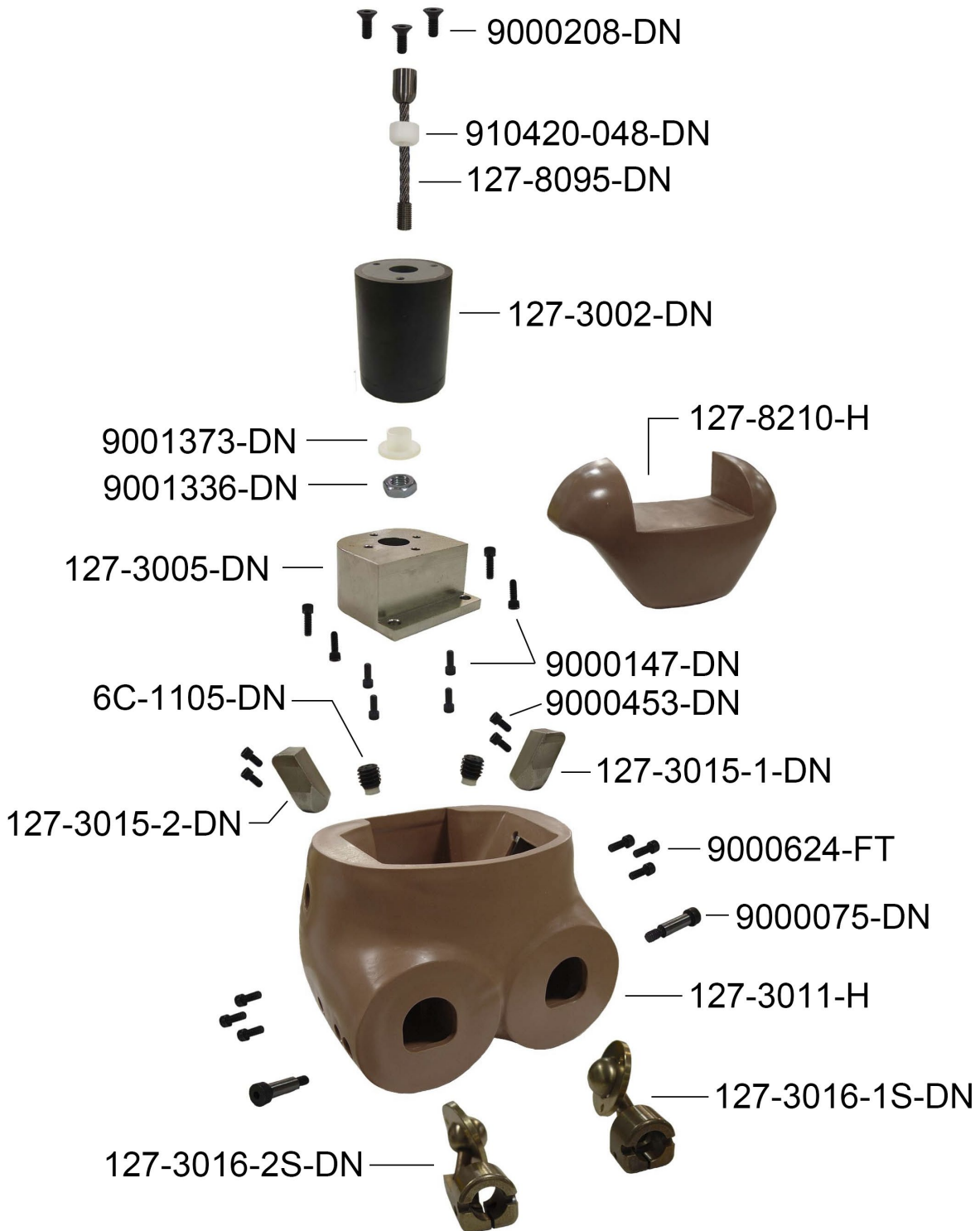
| Part Number | Description | Qty. Req'd Per Dummy |
|-------------------|----------------------------------|----------------------|
| 127-3000-H | LOWER TORSO ASSEMBLY | 1 |
| 127-8230-H | TRANSDUCER MOUNT ASSEMBLY | 1 |
| 127-8040-H | TRANSDUCER MOUNT WELDMENT | 1 |
| 127-2064-DN | 6 YR H3-THORAX STOP | 2 |
| 9000119-DN | SCREW, SHCS 6-32 X 1/2 | 4 |
| 127-8030-1-DN | LOWER RIB STOP, LEFT | 1 |
| 127-8030-2-DN | LOWER RIB STOP, RIGHT | 1 |
| 9004013-DN | SCREW, FHCS 10-32 X 3/4 | 4 |
| 9000147-DN | SCREW, SHCS 10-32 X 1/2 | 4 |

Transducer Assembly – Harmonized



| Part Number | Description | Qty. Req'd Per Dummy |
|---------------------------|---------------------------------|----------------------|
| 127-3000-H (Con't) | LOWER TORSO ASSEMBLY | 1 |
| 127-8050-DN | TRANSDUCER ASSEMBLY | 1 |
| 127-2075A-DN | POTENTIOMETER BRACKET ASSEMBLY | 1 |
| 127-8052-DN | 6 YR H3-TRANSDUCER ARM | 1 |
| 127-2071-DN | 6 YR H3-TRANSDUCER BALL | 1 |
| 127-2073-DN | 6 YR H3-ARM CONNECTOR | 1 |
| SA572-S50-DN | POTENTIOMETER, CHEST, H3 3/6 YO | 1 |
| 9000154-DN | SCREW, SSCP 4-40 X 1/8 | 4 |
| 9001367-DN | SCREW, SSCP 2-56 X 3/8 | 1 |
| 9000408-FT | WASHER (.50 X .21 X .04) ZINC | 1 |
| 9000321-DN | SCREW, BHCS 10-32 X 1/4 | 1 |
| 9001309-DN | O-RING 5/8 X 1/2 X 1/16 RUBBER | 1 |

Lower Torso Assembly – Harmonized (Con’t)

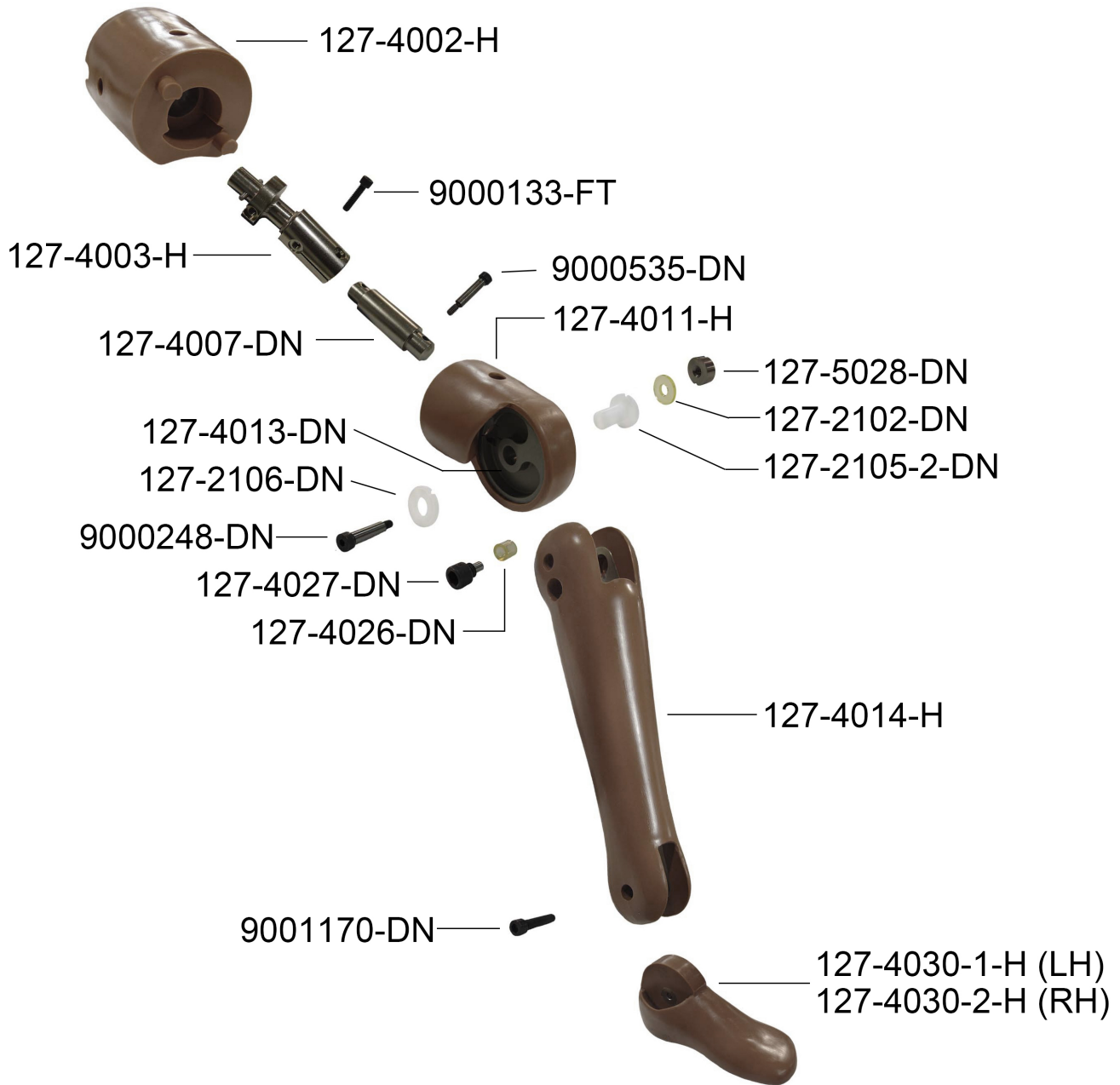


| Part Number | Description | Qty. Req'd Per Dummy |
|--------------------|------------------------|----------------------|
| 127-3000-H (Con't) | LOWER TORSO ASSEMBLY | 1 |
| 127-3005-DN | 6 YR H3-LUMBAR ADAPTOR | 1 |

| | | |
|----------------|--|---|
| 127-3002-DN | LUMBAR SPINE ASSEMBLY-MOLDED | 1 |
| 127-3011-H | PELVIS, MOLDED | 1 |
| 127-8210-H | ABDOMINAL INSERT | 1 |
| 127-3015-1-DN | 6 YEAR OLD A.S.I.S. LOAD CELL SR, LEFT | 1 |
| 127-3015-2-DN | 6 YEAR OLD A.S.I.S. LOAD CELL SR, RIGHT | 1 |
| 9000624-FT | SCREW SHCS 10-24 X 1/2 | 6 |
| 6c-1105-DN | 6 YR H3-FEMUR FRICTION PLUNGER ASSEMBLY | 2 |
| 127-3016-1S-DN | FEMUR ASSEMBLY, LEFT | 1 |
| 127-3016-2S-DN | FEMUR ASSEMBLY, RIGHT | 1 |
| 127-8095-DN | CABLE, LUMBAR | 1 |
| 910420-048-DN | MOUNTING PLATE INSERT | 1 |
| 9001373-DN | BUSHING NYLON SHOULDER FOR 5/16X1/4 SCRW | 1 |
| 9000075-DN | SCREW, SHSS 1/4 X 3/4 | 2 |
| 9000208-DN | SCREW, FHCS 10-32 X 1/2 | 3 |
| 9000453-DN | SCREW, SHCS 1/4-28 X 3/4 | 4 |
| 9000086-DN | SCREW, SHCS 1/4-20 X 7/8 | 4 |
| 9001336-DN | NUT, HEX JAM 5/16-24 | 1 |
| 9000147-DN | SCREW, SHCS 10-32 X 1/2 | 8 |

*The Complete Lower Torso Assembly is supplied with an accelerometer mount kit free of charge.
Please specify the type required when placing order.

Leg Assembly Left / Right – Harmonized



| Part Number | Description | Qty. Req'd Per Dummy |
|---------------------|--------------------------------------|----------------------|
| 127-4000-1-H | LEG ASSEMBLY, LEFT | 1 |
| 127-4000-2-H | LEG ASSEMBLY, RIGHT | 1 |
| 127-4001-H | UPPER LEG ASSEMBLY | 1 |
| 127-4002-H | UPPER LEG FLESH | 1 |
| 127-4003-H | UPPER LEG WELDMENT | 1 |
| 127-4007-DN | LOAD CELL SIMULATOR, FEMUR, HIII 6YR | 1 |
| 9000133-FT | SCREW SHCS 1/4-20 X 1 | 1 |
| 127-4010-H | KNEE ASSEMBLY | 1 |

| | | |
|--------------------|--|----------|
| 127-4013-DN | KNEE CAP, HIII 6YR | 1 |
| 127-4011-H | KNEE FLESH | 1 |
| 127-4014-H | LOWER LEG ASSEMBLY | 1 |
| 127-2105-2-DN | 6 YR H3-SHOULDER, ELBOW AND KNEE BUSHING | 1 |
| 127-2106-DN | 6 YR H3-BUSHING WSHR ELBOW/SHOULDER/KNEE | 1 |
| 127-2102-DN | 6 YR H3-YOKE SPRING WASHER | 1 |
| 9000248-DN | SCREW, SHSS 5/16 X 1-1/4 | 1 |
| 127-5028-DN | 6 YR H3-NUT | 1 |
| 127-4025-DN | LOWER LEG ROTATION STOP ASSY | 1 |
| 127-4027-DN | SCREW, LOWER LEG ROTATION STOP | 1 |
| 127-4026-DN | BUMPER, LOWER LEG ROTATION STOP | 1 |
| 127-4030-1-H | FOOT ASSEMBLY, LEFT | 1 |
| 127-4030-2-H | FOOT ASSEMBLY, RIGHT | 1 |
| 9001170-DN | SCREW, SHCS 1/4-20 X 1-1/4 | 1 |
| 9000535-DN | SCREW, SHSS 1/4 X 1 | 1 |

Accelerometer Mounts

| Accelerometer Type | Complete Dummy (127-000-H) 6-Axis | Components | | |
|--------------------|--------------------------------------|--------------|--------------|--------------|
| | | Head | Chest | Pelvis |
| Endevco | | | | |
| 7264-2000 | 127-7264-2000-DN | 127-1550-DN | 127-2550-DN | 127-3550-DN |
| 7264C-2000 | 127-7264C-2000-DN | 127-1550-DN | 127-2550-DN | 127-3550-DN |
| Endevco | | | | |
| 7264A-2000 | 127-7264A-2000-DN | 127-1550B-DN | 127-2550B-DN | 127-3550B-DN |
| 7264B-2000 | 127-7264B-2000-DN | 127-1550B-DN | 127-2550B-DN | 127-3550B-DN |

Misc.

| Part Number | Description | Qty. Req'd Per Dummy |
|-------------|---------------------------------------|-------------------------|
| 127-6002-FT | SHOES,CONVERSE, 13M YTH, H3-6Y | 1 |
| 127-9900-FT | USER MANUAL H3-6 YR OLD (SAE) (J2706) | 1 |