



## Humanetics Innovative Solutions, Inc.

Hybrid-III 50th Male Dummy

78051-218-H

FMVSS208, 49CFR Part 572, Subpart E



Brand Harmonized Parts Catalog





For information on Humanetics products, please visit our web site at [www.humaneticsatd.com](http://www.humaneticsatd.com)

or contact:

Humanetics Innovative Solutions

23300 Haggerty Road

Farmington Hills, Michigan

48335 USA

Tel: +1 248 778 2000

Fax: +1 248 778 2001

No part of this publication may be reproduced, stored in a retrieval system or transmitted in any form or by any means, electronic, photocopying, recording, mechanical or otherwise, without the express written consent of Humanetics Innovative Solutions.

Copyright © 2015 Humanetics Innovative Solutions, All rights reserved.

The information in this catalog is furnished for informational use only, and is subject to change without notice. Humanetics Innovative Solutions assumes no responsibility or liability for any errors or inaccuracies that may appear in this catalog.

## Table of Contents

Head Assembly .....	4
Neck Assembly.....	5
Thorax Assembly 1 .....	6
Transducer Assembly .....	7
Thorax Assembly 2 .....	8
Shoulder Assembly Left.....	9-10
Shoulder Assembly Right .....	11-12
Arm Assembly Left.....	13
Arm Assembly Right .....	14
Lower Torso Assembly .....	15-16
Leg Assembly Left .....	17-18
Leg Assembly Right.....	19-20
Friction Knee Slider Assembly Left.....	21
Friction Knee Slider Assembly Right .....	22
Ankle Assembly .....	23
Accelerometer Mount Matrix .....	24
Clothes .....	24
Misc.....	24

### Head Assembly – Harmonized

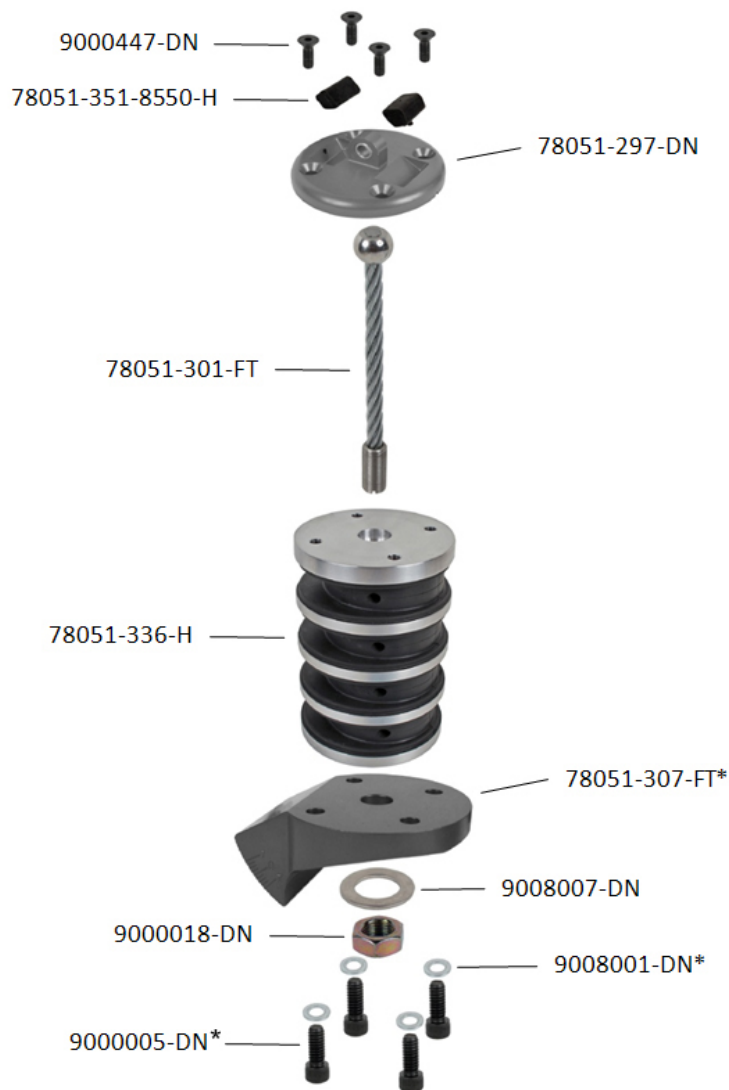


Part Number	Description	Qty. Req'd Per Dummy
<b>78051-61X-H</b>	<b>Head Assembly Complete, Tested/Certified*</b> Head machined to accept six-axis neck transducer	<b>1</b>
78051-228-H	Head Skin, Tested/Certified	1
78051-77XB-DN	Skull, machined assembly, 6-axis Neck with ballast	1
78051-220-DN	Skull Cap, machined	1
78051-229-H	Cap Skin	1
9000005-DN	Screw, SHCS 1/4-20 x 5/8	4
78051-383X-DN	Structural Replacement, 6-axis Neck Transducer	1
1717	Pivot Pin, Neck Transducer	1
78051-253-DN	Washer, Nodding Joint	2
9000452-DN	Screw, SSCP 8-32 x 1/4	2
9000677-DN	Washer - .250 ID x .375 OD x .06 THK	4
9000264-DN	Screw, SHCS 1/4 - 28 x 7/8	4
83-5006-001-DN	Skull Cable Clip	1
9000538-DN	Screw, BHCS 10-32 x 3/8	1

\*The Complete Head Assembly is supplied with an accelerometer mount kit free of charge. Please specify the type required when placing order.

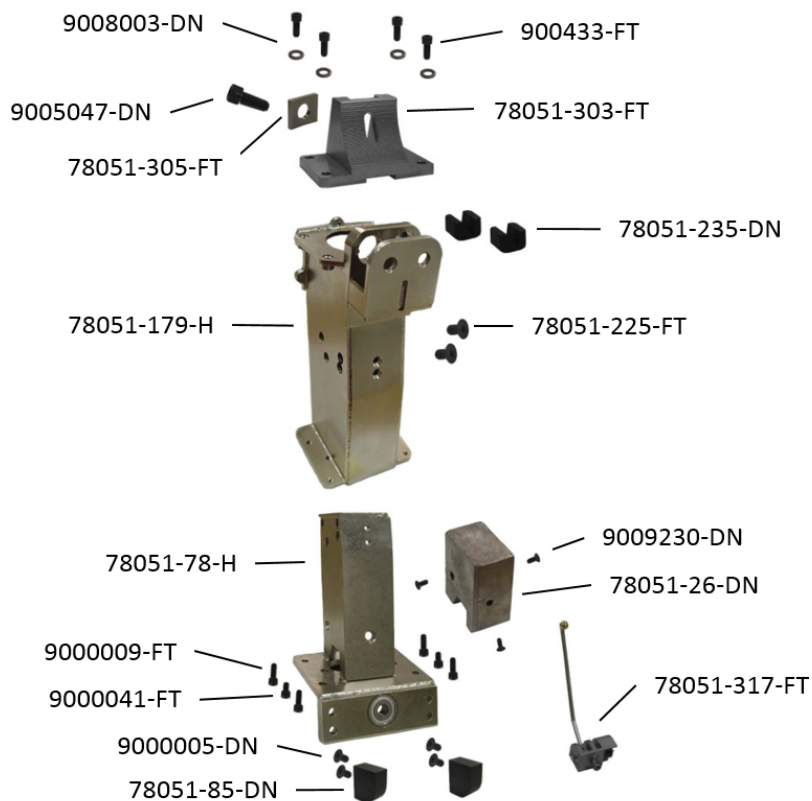
\*Accelerometer Mount - Refer to Accelerometer Mount Matrix for Options

### Neck Assembly – Harmonized



Part Number	Description	Qty. Req'd Per Dummy
<b>78051-90-H</b>	<b>Neck Assembly Complete, Tested/Certified</b>	<b>1</b>
9000447-DN	Screw, FHCS 1/4-20 x 3/4	4
<b>78051-297-DN</b>	<b>Nodding Joint Assembly</b>	<b>1</b>
78051-322-DN	Bushing, Nodding Joint, Neck	1
78051-301-FT	Neck Cable	1
<b>78051-336-H</b>	<b>Neck Molded, Tested/Certified</b>	<b>1</b>
78051-351-8550-H	Nodding Block, 84 - 87 Shore A, Hi Damp	2
9000018-DN	Nut, Hex Jam 1/2-20	1
9008007-DN	Washer, Flat .515 ID x .875 OD	1
<b>*PARTS NOT INCLUDED IN THE NECK ASSEMBLY, BUT ARE REQUIRED TO MOUNT NECK TO UPPER TORSO</b>		
9008001-DN	Washer, Flat, Neck Bracket	4
9000005-DN	Screw, SHCS 1/4-20 x 5/8	4
78051-307-FT	Neck Bracket, Upper	1

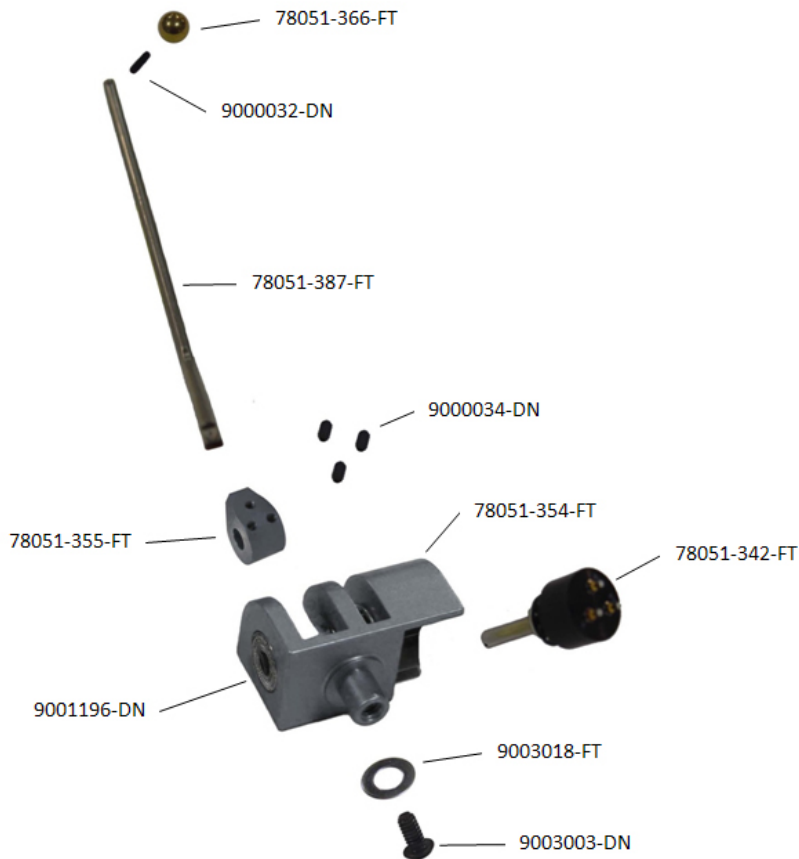
### Thorax Assembly – Harmonized -1



Part Number	Description	Qty. Req'd Per Dummy
<b>78051-89-H</b>	<b>Upper Torso Assembly Complete, Tested/Certified*</b>	<b>1</b>
9000433-FT	Screw, SHCS 5/16-24 x 7/8, Nylok	4
9008003-DN	Washer, Flat	4
9005047-DN	Screw, SHCS 3/8-16 x 1	1
78051-305-FT	Washer, Clamping	1
78051-303-FT	Neck Bracket, Lower	1
78051-179-H	Thoracic Spine	1
78051-225-FT	Screw, FHCS 10-32 x .290 (Spec)	2
78051-235-DN	Bumper Shoulder	2
9000041-FT	Screw, SHCS 1/4-20 x 3/8, Nylok	2
9000009-FT	Screw, SHCS 1/4-20 3/4, Nylok	4
<b>78051-88-FT</b>	<b>Adapter Assembly</b>	<b>1</b>
78051-78-H	Adaptor Weldment	1
9000005-DN	Screw, SHCS 1/4-20 x 5/8	4
78051-26-DN	Thorax CG Weight	1
78051-85-DN	Torso Flexion Stop, Molded	2
9009230-DN	Screw, FHCS 1/4-28 x 5/8	3
<b>78051-317-FT</b>	<b>Chest Deflection Transducer Assembly</b>	<b>1</b>
	Assembly details on next page	

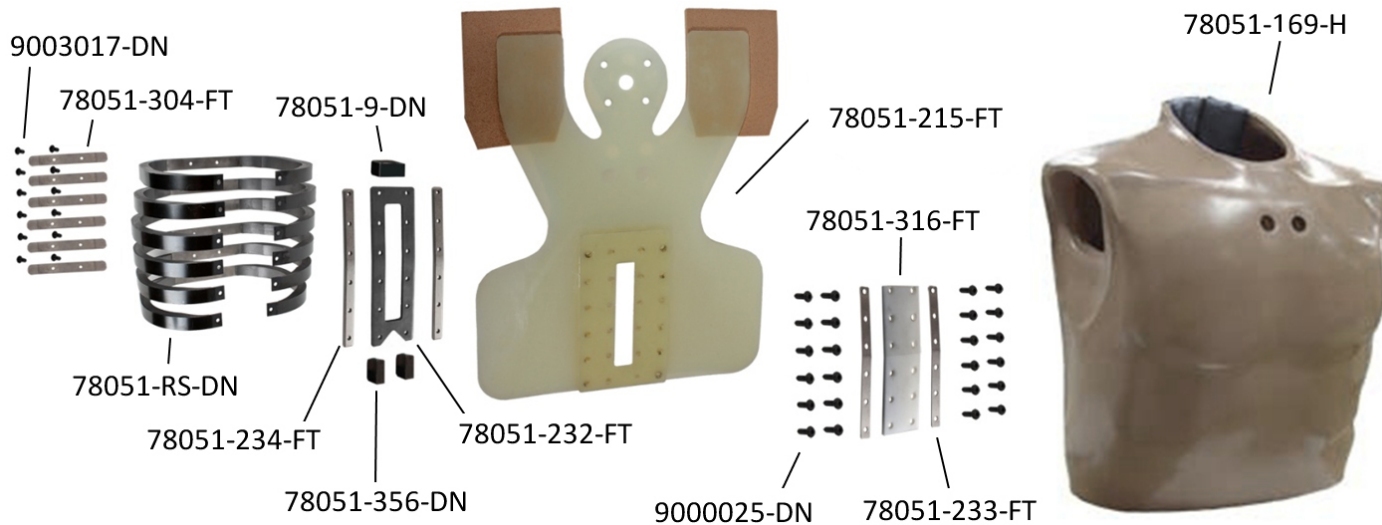
\*The Complete Upper Torso Assembly is supplied with an accelerometer mount kit free of charge. Please specify the type required when placing order.

### Transducer Assembly – Harmonized



Part Number	Description	Qty. Req'd Per Dummy
<b>78051-317-FT</b>	<b>Chest Deflection Transducer Assembly</b>	<b>1</b>
9003003-DN	Screw, BHCS 1/4-20 x 1/2	1
9003018-FT	Washer-Flat .265 x .500 x .032	1
<b>78051-353-FT</b>	<b>Transducer Arm Assembly</b>	<b>1</b>
78051-387-FT	Transducer Arm	1
78051-366-FT	Transducer Arm Ball	1
9000032-DN	Screw, SSCP 4-40 x 3/8	1
78051-355-FT	Transducer Arm Connector	1
9000034-DN	Screw, SSCP 4-40 x 3/16	3
<b>78051-430-FT</b>	<b>Potentiometer Bracket Assembly</b>	<b>1</b>
9000033-FT	Pin Roll 1/16 x 5/32 SS	1
9001196-DN	Bearing	2
78051-354-FT	Potentiometer Bracket without Bearing	1
78051-342-FT	Potentiometer, (Rotary Chest Deflection)	1

### Thorax Assembly – Harmonized -2

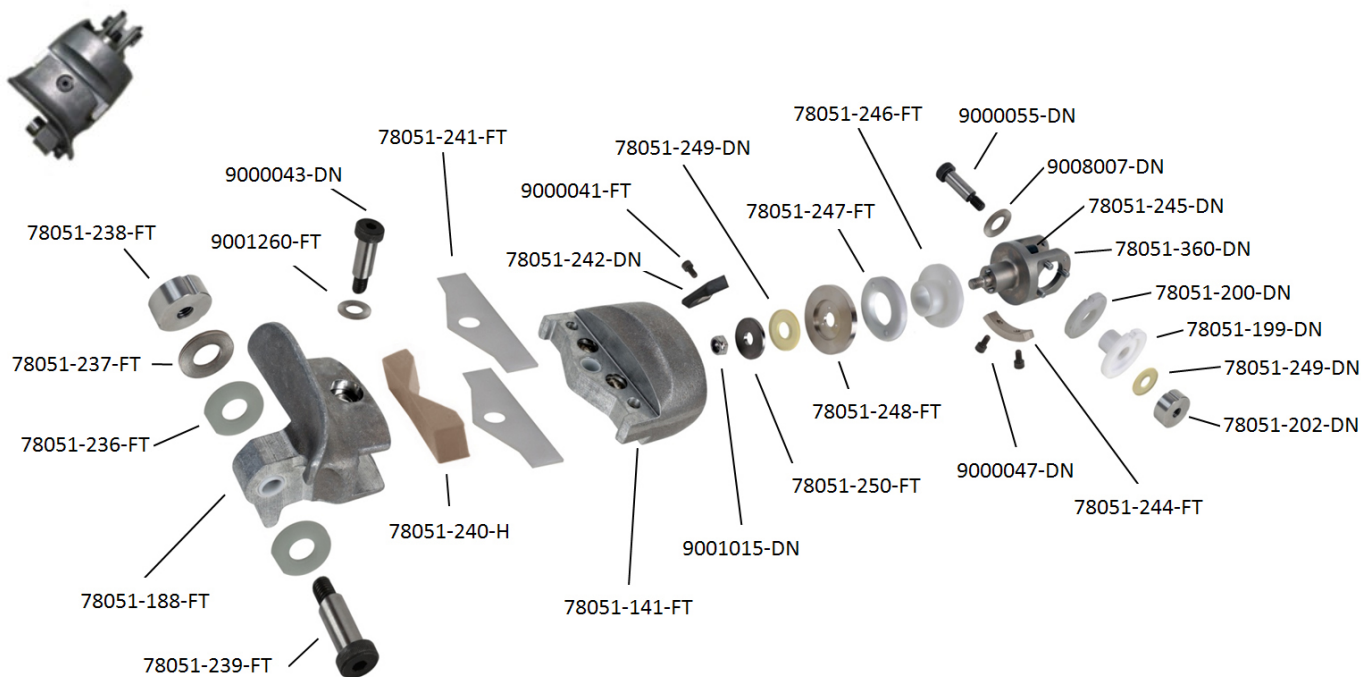


Part Number	Description	Qty. Req'd Per Dummy
<b>78051-89-H</b>	<b>Upper Torso Assembly Complete, Tested/Certified* (cont'd)</b>	
78051-304-FT	Support, Rib Rear	6
9003017-DN	Screw, BHCS 10-32 x 1/2	12
<b>78051-RS-DN</b>	<b>Rib Set Complete, Tested/Certified</b>	<b>1</b>
78051-35-DN	Individual Rib, Rib # 1, untested	1
78051-36-DN	Individual Rib, Rib # 2, untested	1
78051-37-DN	Individual Rib, Rib # 3, untested	1
78051-38-DN	Individual Rib, Rib # 4, untested	1
78051-39-DN	Individual Rib, Rib # 5, untested	1
78051-40-DN	Individual Rib, Rib # 6, untested	1
78051-234-FT	Strip, Front Rib End Threaded	2
<b>78051-357-FT</b>	<b>Sternum Assembly</b>	<b>1</b>
78051-232-FT	Sternum	1
78051-356-DN	Stop, Sternum	2
78051-9-DN	Stop, Sternum	1
78051-215-FT	Bib Assembly, Sternum to Ribs	1
9000025-DN	Screw, BHCS 10-32 x 5/8	24
78051-233-FT	Plate, Front End Stiffener	2
78051-316-FT	Transducer Arm Slider	1
78051-169-H	Chest Flesh and Skin Assembly (Zipper Starts from the Top)	1

\*The Complete Upper Torso Assembly is supplied with an accelerometer mount kit free of charge. Please specify the type required when placing order.



### Shoulder Assembly Left – Harmonized

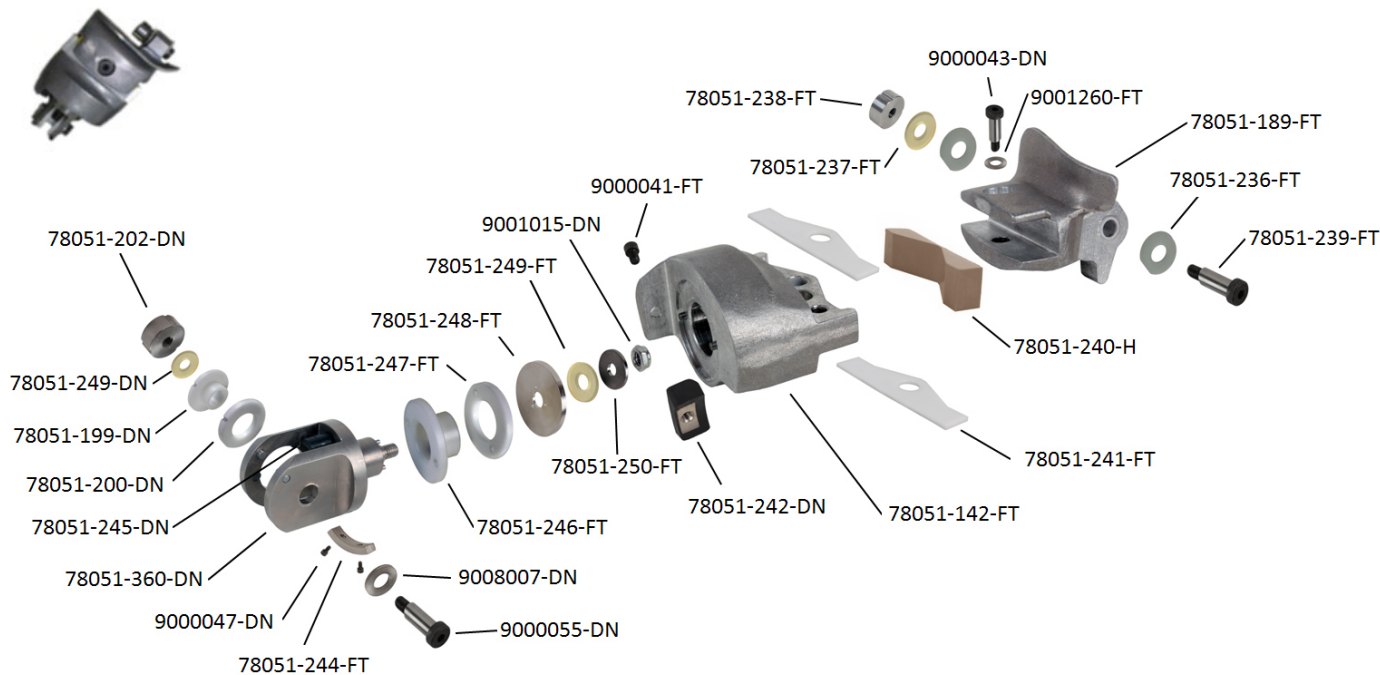


Part Number	Description	Qty. Req'd Per Dummy
<b>78051-89-H</b>	<b>Upper Torso Assembly Complete, Tested/Certified* (cont'd)</b>	
78051-238-FT	Nut, Clavicular Link Pivot	1
78051-236-FT	Washer, Clavicular Link Pivot	2
78051-237-FT	Washer/Nut, Clavicular Link Pivot	1
78051-239-FT	Clavicular Link Pivot Screw	1
<b>78051-410-H</b>	<b>Shoulder Assembly Complete, Left</b>	<b>1</b>
78051-188-FT	Clavicle Link, Left	1
78051-240-H	Spring, Clavicle Stop	1
78051-241-FT	Spacers, Clavicle	2
9008007-DN	Washer, Flat, Stainless Steel	1
9000043-DN	Screw, SHSS 1/2 x 1	1
78051-141-FT	Clavicle, Left	1
78051-242-DN	Stop, Shoulder Yoke Pivot (Rubber)	1
9001015-DN	Nut, Hex Jam 3/8-16	1
9000047-DN	Screw, SHCS 1/4-24 x 3/8	1
78051-250-FT	Washer, Shoulder Yoke Retaining	1
78051-249-DN	Washer, Spring	2
78051-248-FT	Washer, Shoulder Yoke (Steel)	1
78051-247-FT	Washer, Shoulder Yoke Pivot	1
78051-246-FT	Bushing, Shoulder Yoke Pivot	1
78051-360-DN	Shoulder Yoke	1
78051-245-DN	Stop, Shoulder Yoke	1
78051-244-FT	Stop, Shoulder Yoke Pivot (Steel)	1

<b>78051-410-H</b>	<b>Shoulder Assembly Complete, Left (Con't)</b>	
9000041-FT	Screw, SHCS 1/4-20 x 3/8 Nylock	1
9000055-DN	Screw, SHSS 1/2 x 1-1/4	1
9001260-FT	Washer, Flat, Stainless Steel	1
78051-200-DN	Washer, Upper Arm/Elbow Pivot	1
78051-199-DN	Bushing, Upper Arm/Elbow Pivot	1
78051-202-DN	Nut, Upper Arm Pivot	1

\*The Complete Upper Torso Assembly is supplied with an accelerometer mount kit free of charge.  
Please specify the type required when placing order.

### Shoulder Assembly Right – Harmonized

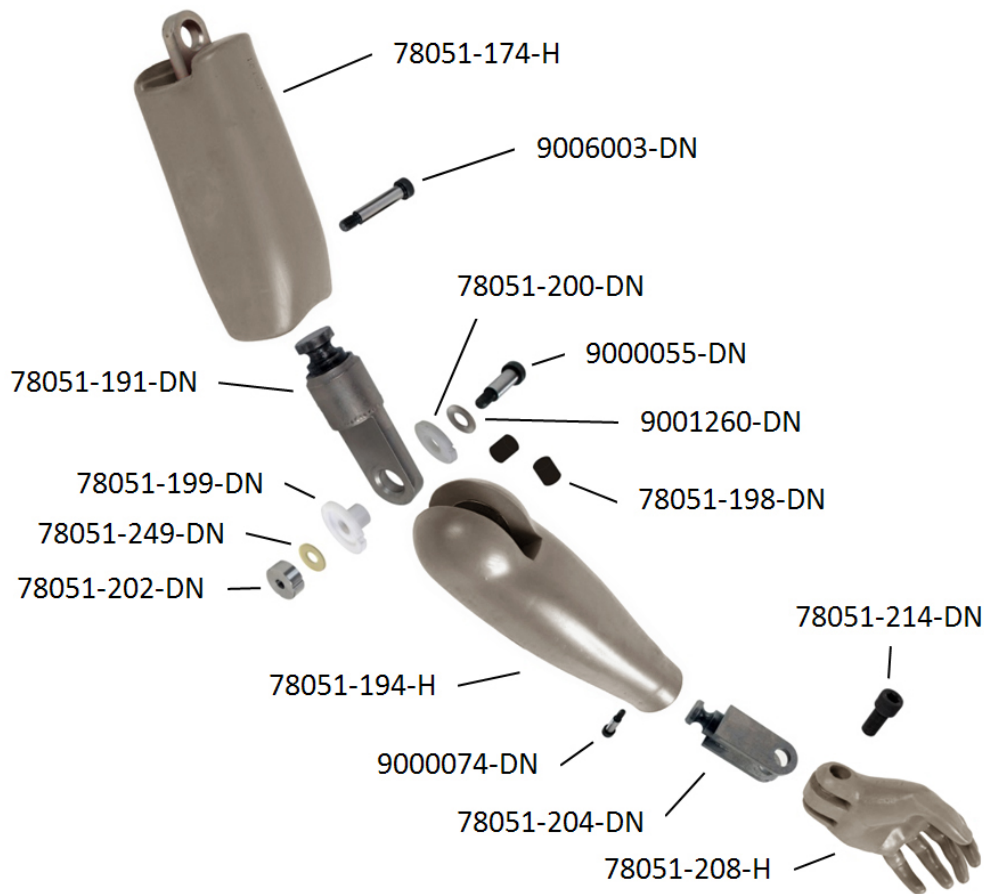


Part Number	Description	Qty. Req'd Per Dummy
<b>78051-89-H</b>	<b>Upper Torso Assembly Complete, Tested/Certified* (cont'd)</b>	
78051-238-FT	Nut, Clavicular Link Pivot	1
78051-236-FT	Washer, Clavicular Link Pivot	2
78051-237-FT	Washer/Nut, Clavicular Link Pivot	1
78051-239-FT	Clavicular Link Pivot Screw	1
<b>78051-420-H</b>	<b>Shoulder Assembly Complete, Right</b>	<b>1</b>
78051-189-FT	Clavicle Link, Right	1
78051-240-H	Spring, Clavicle Stop	1
78051-241-FT	Spacers, Clavicle	2
9008007-DN	Washer, Flat, Stainless Steel	1
9000043-DN	Screw, SHSS 1/2 x 1	1
78051-142-FT	Clavicle, Right	1
78051-242-DN	Stop, Shoulder Yoke Pivot (Rubber)	1
9001015-DN	Nut, Hex Jam 3/8-16	1
9000047-DN	Screw, SHCS 1/4-24 x 3/8	1
78051-250-FT	Washer, Shoulder Yoke Retaining	1
78051-249-DN	Washer, Spring	2
78051-248-FT	Washer, Shoulder Yoke (Steel)	1
78051-247-FT	Washer, Shoulder Yoke Pivot	1
78051-246-FT	Bushing, Shoulder Yoke Pivot	1
78051-360-DN	Shoulder Yoke	1
78051-245-DN	Stop, Shoulder Yoke	1
78051-244-FT	Stop, Shoulder Yoke Pivot (Steel)	1
9000041-FT	Screw, SHCS 1/4-20 x 3/8 Nylock	1

<b>78051-420-H</b>	<b>Shoulder Assembly Complete, Right (Con't)</b>	
9000055-DN	Screw, SHSS 1/2 x 1-1/4	1
9001260-FT	Washer, Flat, Stainless Steel	1
78051-200-DN	Washer, Upper Arm/Elbow Pivot	1
78051-199-DN	Bushing, Upper Arm/Elbow Pivot	1
78051-202-DN	Nut, Upper Arm Pivot	1

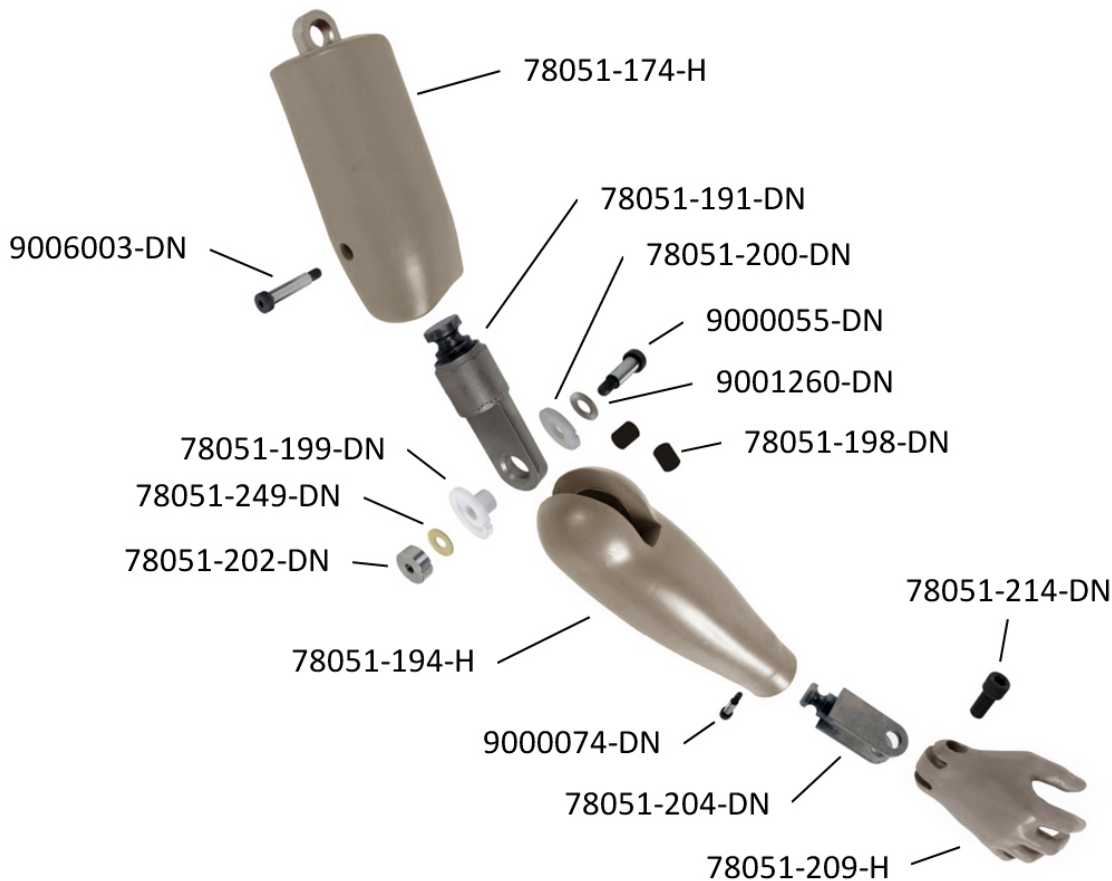
\*The Complete Upper Torso Assembly is supplied with an accelerometer mount kit free of charge.  
Please specify the type required when placing order.

**Arm Assembly Left – Harmonized**



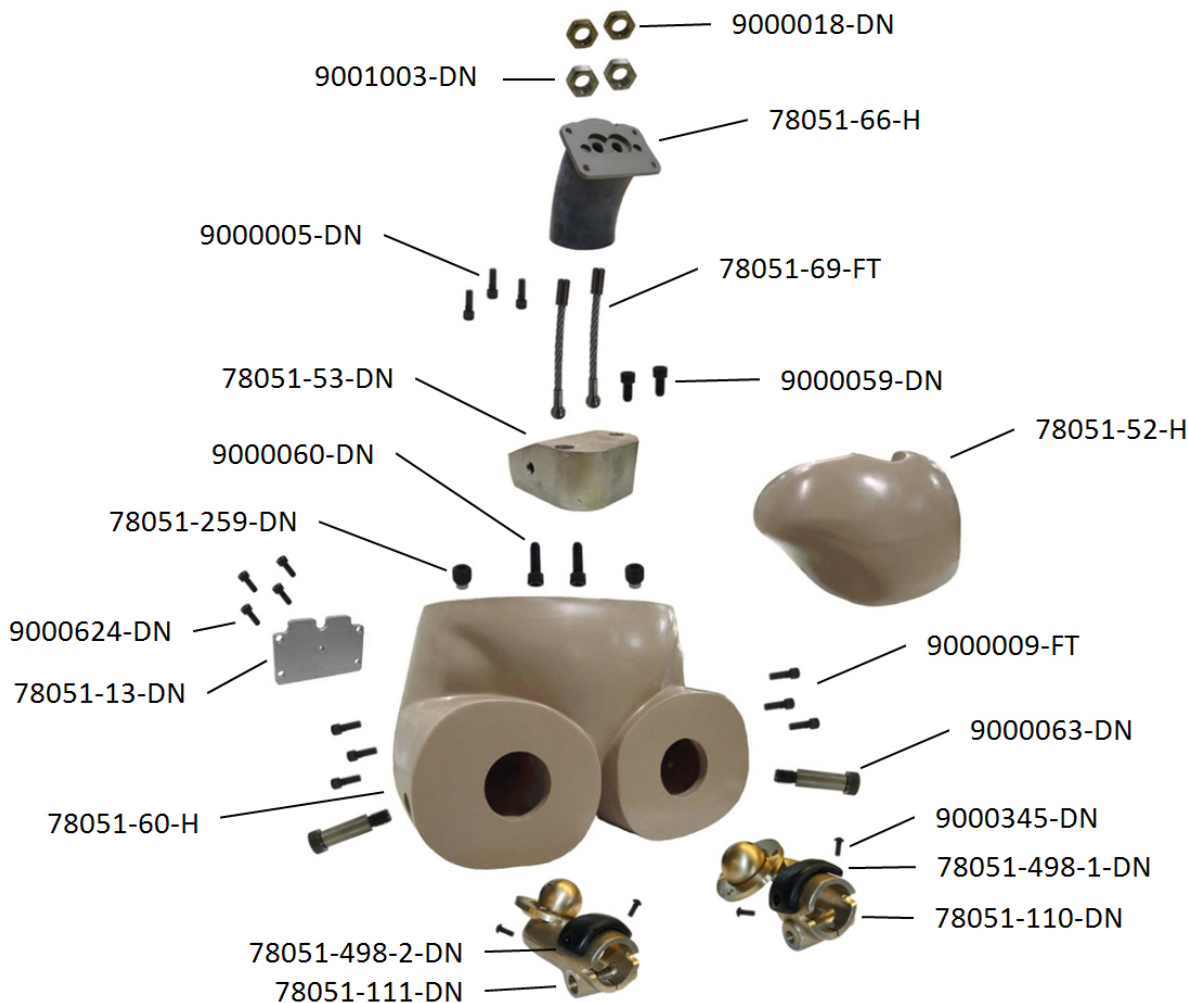
Part Number	Description	Qty. Req'd Per Dummy
<b>78051-123-H</b>	<b>Arm Assembly Complete, Left</b>	<b>1</b>
78051-174-H	Upper Arm Assembly, Molded, with Flesh	1
9006003-DN	Screw, SHSS 3/8 x 1-1/2	1
9001260-DN	Washer, Flat, (Stainless Steel)	1
78051-191-DN	Upper Arm, Lower Part Weldment	1
9000055-DN	Screw, SHSS 1/2 x 1-1/4	1
78051-249-DN	Washer, Spring	1
78051-199-DN	Bushing, Upper Arm/Elbow Pivot	1
78051-200-DN	Washer, Upper Arm/Elbow Pivot	1
78051-202-DN	Nut, Upper Arm Pivot	1
<b>78051-194-H</b>	<b>Lower Arm Assembly, Molded, with Flesh</b>	<b>1</b>
78051-198-DN	Stop, Lower Arm, Molded	2
9000074-DN	Screw, SHSS 3/8 x 1	1
78051-204-DN	Lower Arm, Lower Part Weldment	1
78051-214-DN	Pivot Screw, Wrist	1
78051-208-H	Hand Assembly, Left	1

**Arm Assembly Right – Harmonized**



Part Number	Description	Qty. Req'd Per Dummy
<b>78051-124-H</b>	<b>Arm Assembly Complete, Right</b>	<b>1</b>
78051-174-H	Upper Arm Assembly, Molded, with Flesh	1
9006003-DN	Screw, SHSS 3/8 x 1-1/2	1
9001260-DN	Washer, Flat, (Stainless Steel)	1
78051-191-DN	Upper Arm, Lower Part Weldment	1
9000055-DN	Screw, SHSS 1/2 x 1-1/4	1
78051-249-DN	Washer, Spring	1
78051-199-DN	Bushing, Upper Arm/Elbow Pivot	1
78051-200-DN	Washer, Upper Arm/Elbow Pivot	1
78051-202-DN	Nut, Upper Arm Pivot	1
<b>78051-194-H</b>	<b>Lower Arm Assembly, Molded, with Flesh</b>	<b>1</b>
78051-198-DN	Stop, Lower Arm, Molded	2
9000074-DN	Screw, SHSS 3/8 x 1	1
78051-204-DN	Lower Arm, Lower Part Weldment	1
78051-214-DN	Pivot Screw, Wrist	1
78051-209-H	Hand Assembly, Right	1

**Lower Torso Assembly – Harmonized**



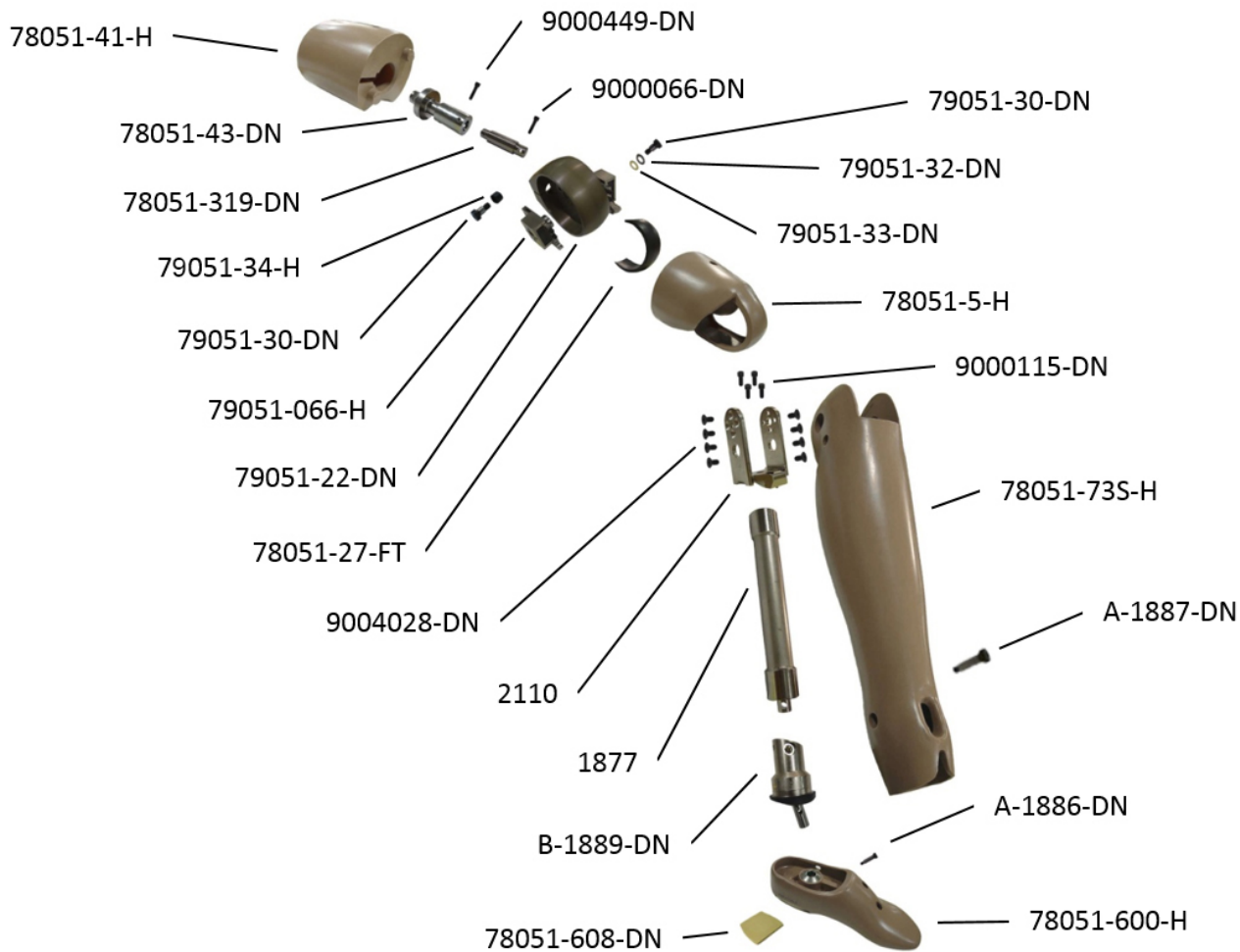
Part Number	Description	Qty. Req'd Per Dummy
<b>78051-70-H</b>	<b>Lower Torso Assembly Complete, Tested/Certified*</b>	<b>1</b>
9000018-DN	Nut, Hex Jam 1/2-20	2
9001003-DN	Nut, Hex 1/2-20	2
78051-66-H	Lumbar Spine, Molded	1
78051-69-FT	Lumber Cable	2
78051-53-DN	Lumbar Spine Bracket, Molded	1
9000005-DN	Screw, SHCS 1/4-20 x 5/8	3
9000059-DN	Screw, SHCS 3/8-16 x 3/4	2
9000060-DN	Screw, SHCS 3/8-16 x 1-1/4	2
78051-52-H	Abdominal Insert	1
<b>78051-59-H</b>	<b>Pelvic Assembly Complete, Tested/Certified ROM*</b>	<b>1</b>
78051-259-DN	Femur Friction Plunger Assembly (Set Screw Assy.)	2
9000624-DN	Screw, SHCS 10 - 24 x 1/2	4
78051-13-DN	Pelvic Instrument Cavity Cover	1

78051-60-H	Pelvis, Molded, Tested/Certified ROM	1
9000063-DN	Screw, SHSS 5/8 x 1-3/4	2
9000009-FT	Screw, SHCS 1/4-20 x 3/4, Nylok	6
<b>78051-114-DN</b>	<b>Femur Flange Assembly, Left with Bumper</b>	<b>1</b>
78051-110-DN	Femur & Flange Assembly, Left	1
78051-498-1-DN	Femur Bumper, Left	1
9000345-DN	Screw, BHCS 8-32 x 3/8	2
<b>78051-115-DN</b>	<b>Femur Flange Assembly, Right with Bumper</b>	<b>1</b>
78051-111-DN	Femur & Flange Assembly, Right	1
78051-498-2-DN	Femur Bumper, Right	1
9000345-DN	Screw, BHCS 8-32 x 3/8	2

\*The Complete Lower Torso and Complete Pelvis Assembly is supplied with an accelerometer mount kit free of charge. Please specify the type required when placing order.



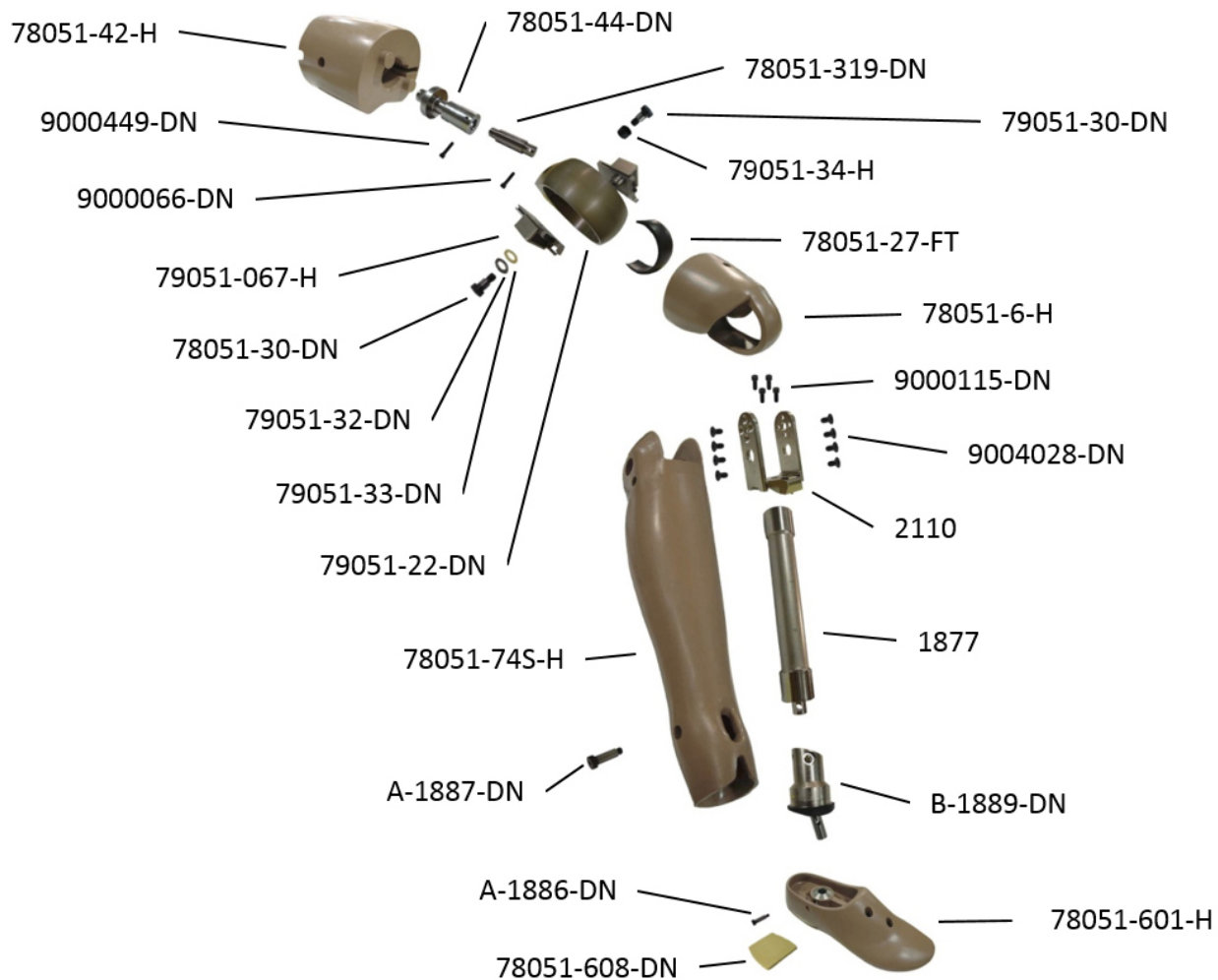
### Leg Assembly Left – Harmonized



Part Number	Description	Qty. Req'd Per Dummy
<b>86-5001-001-H</b>	<b>Leg Assembly, Complete, Left</b>	<b>1</b>
<b>78051-46-H</b>	<b>Upper Leg (Thigh) Assembly Complete, Left</b>	<b>1</b>
78051-41-H	Thigh Flesh/Skin, Molded, Left	1
78051-43-DN	Upper Leg (Thigh) Bone Weldment, Left	1
78051-319-DN	Load Cell Simulator	1
9000449-DN	Screw, SHCS 3/8-16 x 1-3/4	1
9000066-DN	Screw, SHCS 3/8-16 x 2	1
<b>86-5001-003-H</b>	<b>Knee &amp; Lower Leg Assembly, Left</b>	<b>1</b>
<b>79051-16-1-H</b>	<b>Sliding Knee Assembly, Tested/Cert., Left</b>	<b>1</b>
79051-22-DN	Knee Cap, Machined Assembly	1
78051-5-H	Knee Flesh/Skin, Molded, Left	1
78051-27-FT	Knee Insert, Tested/Certified (Rubber)	1
79051-066-H	Knee Slider Assembly, Tested/Certified, Left	1
79051-23-1-DN	Potentiometer Shaft Support, Left	1

9007008-DN	Screw, RHCS 1-72 x 3/4	
79051-34-H	Rotation Stop Cover	1
79051-30-DN	Screw, SHSS 3/8 x 3/8 Machined (used to hold stop cover in place)	2
79051-19-DN	Pin, Potentiometer Shaft	1
9005079-DN	Screw, SHCS 8-32 x 1/2	4
9004028-DN	Screw, FHCS 1/4-28 x 3/8	8
79051-33-DN	Compression Washer	1
79051-32-DN	Washer, Sliding Knee	1
79051-35-DN	Rotation Stop Arm	1
79051-29-DN	Linear Potentiometer	1
<b>78051-73-H</b>	<b>Lower Leg Assembly, Left</b>	<b>1</b>
78051-73S-H	Lower Leg Flesh/Skin, Molded, Left	1
<b>C-1877-DN</b>	<b>Non-instrumented Tibia, LH &amp; RH</b>	<b>1</b>
9000115-DN	Screw, SHCS 1/4-28 x 1/2	4
2110	Knee Clevis Weldment	1
1877	Lower Leg Structural Replacement	1
A-1887-DN	Leg Attachment Bolt	1
<b>B-1889-DN</b>	<b>Ankle Rotation Assembly</b>	<b>1</b>
	<i>See Detailed Assembly following Knee Slider Assembly</i>	
<b>78051-600-H</b>	<b>Foot Molded 45 Degree, Tested/Certified, Left</b>	<b>1</b>
78051-608-DN	Heel Pad Foam	1
A-1886-DN	Foot Attachment Bolt	1

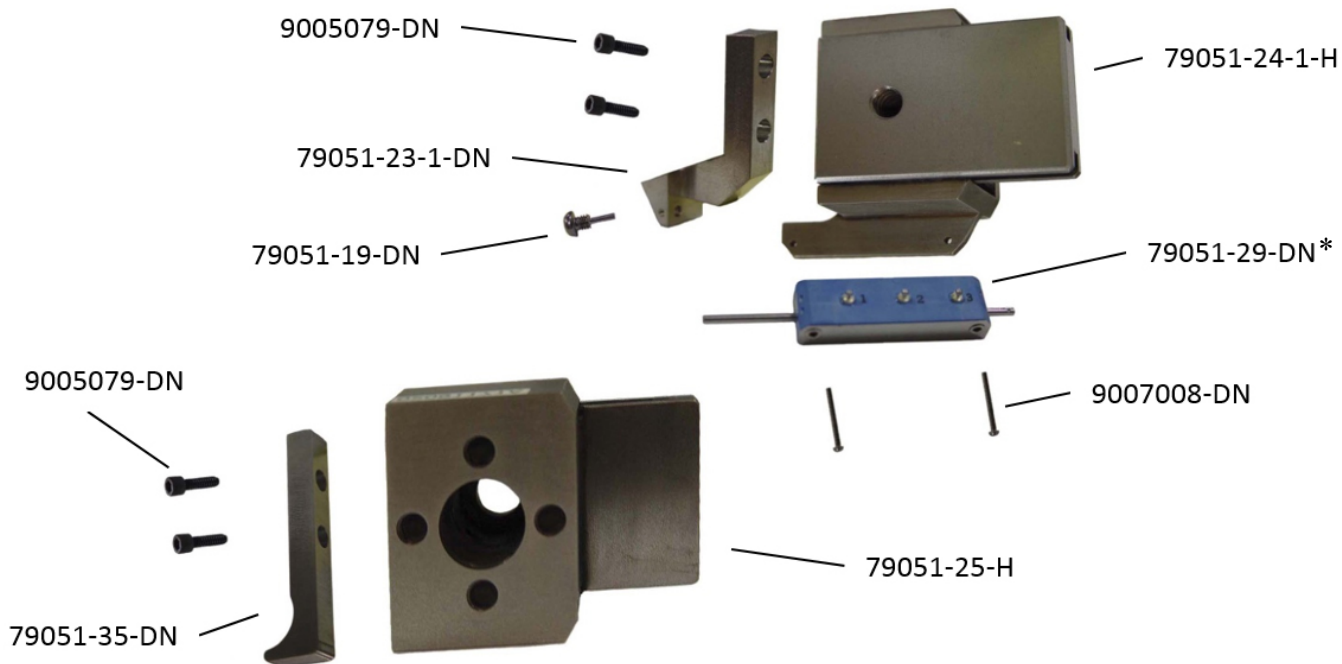
### Leg Assembly Right – Harmonized



Part Number	Description	Qty. Req'd Per Dummy
<b>86-5001-002-H</b>	<b>Leg Assembly, Complete, Right</b>	<b>1</b>
<b>78051-47-H</b>	<b>Upper Leg (Thigh) Assembly Complete, Right</b>	<b>1</b>
78051-42-H	Thigh Flesh/Skin, Molded, Right	1
78051-44-DN	Upper Leg (Thigh) Bone Weldment, Right	1
78051-319-DN	Load Cell Simulator	1
9000449-DN	Screw, SHCS 3/8-16 x 1-3/4	1
9000066-DN	Screw, SHCS 3/8-16 x 2	1
<b>86-5001-004-H</b>	<b>Knee &amp; Lower Leg Assembly, Right</b>	<b>1</b>
<b>79051-16-2-H</b>	<b>Sliding Knee Assembly, Tested/Cert., Right</b>	<b>1</b>
79051-22-DN	Knee Cap, Machined Assembly	1
78051-6-H	Knee Flesh/Skin, Molded, Right	1
78051-27-FT	Knee Insert, Tested/Certified (Rubber)	1
79051-067-H	Knee Slider Assembly, Tested/Certified, Right	1
79051-23-2-DN	Potentiometer Shaft Support, Right	1

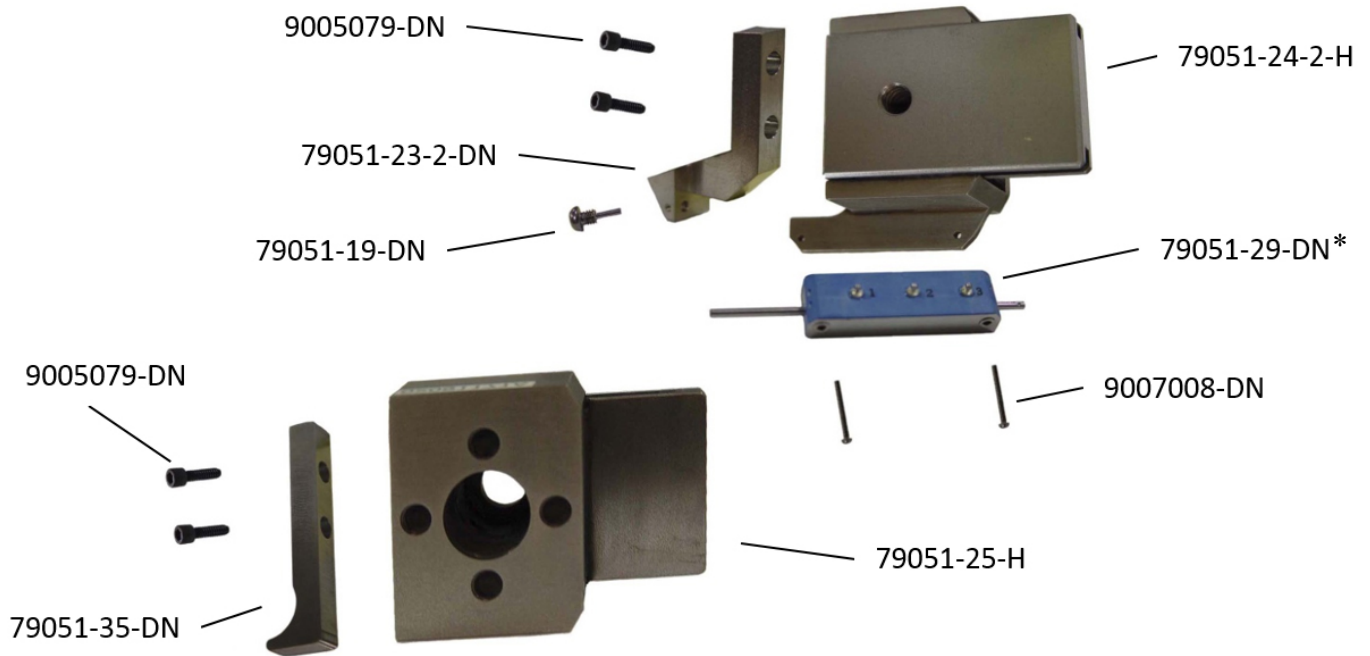
9007008-DN	Screw, RHCS 1-72 x 3/4	1
79051-34-H	Rotation Stop Cover	1
79051-30-DN	Screw, SHSS 3/8 x 3/8 Machined (used to hold stop cover in place)	2
79051-19-DN	Pin, Potentiometer Shaft	1
9005079-DN	Screw, SHCS 8-32 x 1/2	4
9004028-DN	Screw, FHCS 1/4-28 x 3/8	8
79051-33-DN	Compression Washer	1
79051-32-DN	Washer, Sliding Knee	1
79051-35-DN	Rotation Stop Arm	1
79051-29-DN	Linear Potentiometer	1
<b>78051-74-H</b>	<b>Lower Leg Assembly, Right</b>	<b>1</b>
78051-74S-H	Lower Leg Flesh/Skin, Molded, Right	1
<b>C-1877-DN</b>	<b>Non-instrumented Tibia, LH &amp; RH</b>	<b>1</b>
9000115-DN	Screw, SHCS 1/4-28 x 1/2	4
2110	Knee Clevis Weldment	1
1877	Lower Leg Structural Replacement	1
A-1887-DN	Leg Attachment Bolt	1
<b>B-1889-DN</b>	<b>Ankle Rotation Assembly</b>	<b>1</b>
	<i>See Detailed Assembly following Knee Slider Assembly</i>	
<b>78051-601-H</b>	<b>Foot Molded 45 Degree, Tested/Certified, Right</b>	<b>1</b>
78051-608-DN	Heel Pad Foam	1
A-1886-DN	Foot Attachment Bolt	1

### Friction Knee Slider Assembly Left – Harmonized



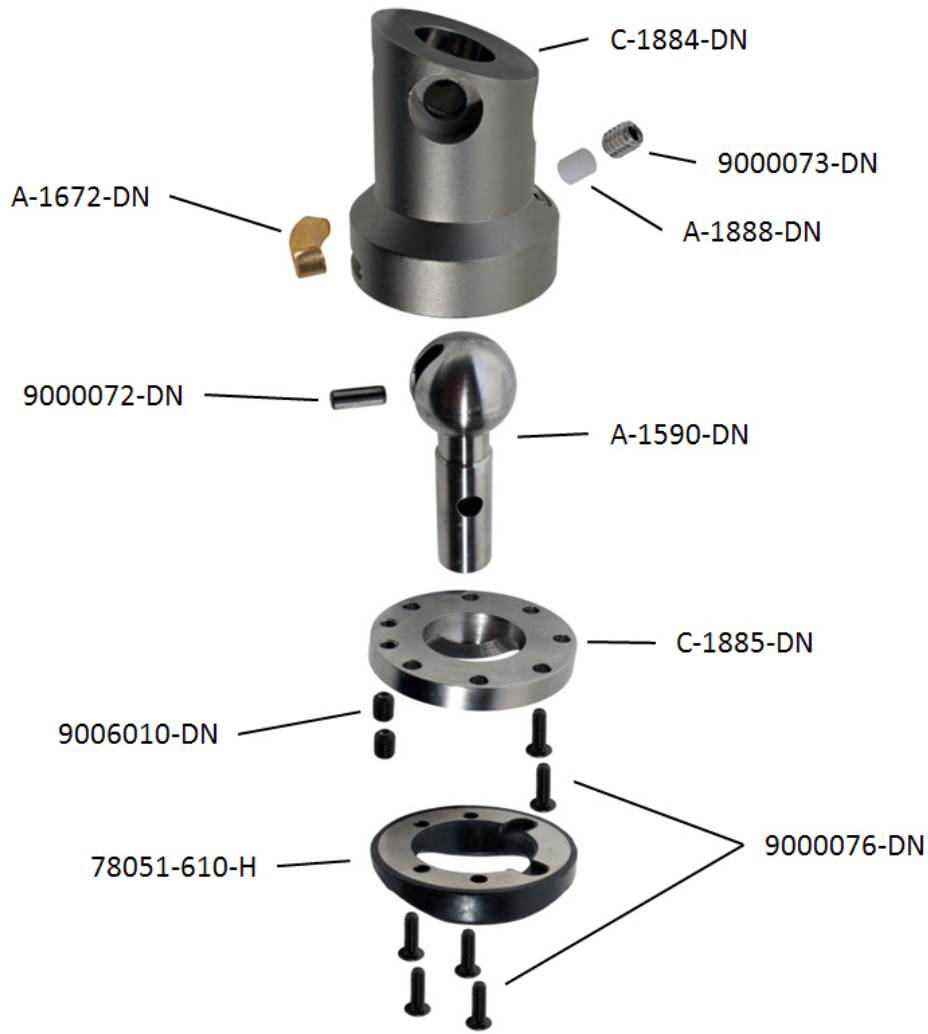
Part Number	Description	Qty. Req'd Per Dummy
<b>79051-066-H</b>	Knee Slider Assembly, Left	1
79051-24-1-H	Inboard Sliding Knee, Left, Untested	1
79051-25-H	Outboard Slider, LH & RH	1
79051-23-1-DN	Potentiometer Shaft Support, Left	1
79051-19-DN	Pin, Potentiometer Shaft	1
79051-35-DN	Rotation Stop Arm	1
9007008-DN	Screw, RHCS 1-72 x 3/4	2
9005079-DN	Screw, SHCS 8-32 x 1/2	4
*PART NOT INCLUDED IN THE SLIDER ASSEMBLY		
*79051-29-DN	Potentiometer, Knee Slider, H-III50M	1

### Friction Knee Slider Assembly Right – Harmonized



Part Number	Description	Qty. Req'd Per Dummy
<b>79051-067-H</b>	Knee Slider Assembly, Right	1
79051-24-2-H	Inboard Sliding Knee, Right, Untested	1
79051-25-H	Outboard Slider, LH & RH	1
79051-23-2-DN	Potentiometer Shaft Support, Right	1
79051-19-DN	Pin, Potentiometer Shaft	1
79051-35-DN	Rotation Stop Arm	1
9007008-DN	Screw, RHCS 1-72 x 3/4	2
9005079-DN	Screw, SHCS 8-32 x 1/2	4
<b>*PART NOT INCLUDED IN THE SLIDER ASSEMBLY</b>		
*79051-29-DN	Potentiometer, Knee Slider, H-III50M	1

### Ankle Assembly – Harmonized



Part Number	Description	Qty. Req'd Per Dummy
<b>B-1889-DN</b>	<b>Ankle Rotation Assembly</b>	<b>1</b>
C-1884-DN	Ankle, Upper Shell	1
C-1885-DN	Ankle, Lower Shell	1
A-1590-DN	Ankle Shaft	1
78051-610-H	Ankle Bumper (Rubber)	1
9000072-DN	Pin, Dowel 3/16 x 1/2	1
A-1672-DN	Stop Pin Retainer	1
A-1888-DN	Ankle Friction Pad	1
9000073-DN	Screw, SSCP 5/16-18 x 3/8	1
9006010-DN	Screw, SSCP 10-32 x 1/4	2
9000076-DN	Screw, BHCS 8-32 x 1/2	6

## Accelerometer Mounts

Accelerometer Type	Complete Dummy (78051-218-H)		Components				
	3-Axis	6-Axis	(78051-61-H) 3-Axis Head	(78051-61X-H) 6-Axis Head	78051-89-H Chest	(78051-59-H) Pelvis	(78051-600-H/601-H) 45 Deg Foot
<b>Endevco</b> 7264A-2000 7264B-2000	78051-7264A-20003-DN 78051-7264B-20003-DN	78051-7264A-20006-DN 78051-7264B-20006-DN	78051-222CG-ASSY-DN 78051-222CG-ASSY-DN	78051-222CDS-ASSY-DN 78051-222CDS-ASSY-DN	78051-156C-ASSY-DN 78051-156C-ASSY-DN	78051-54C-ASSY-DN 78051-54C-ASSY-DN	7264-B-ASSY-DN 7264-BF-ASSY-DN
<b>Endevco</b> 7264-2000 7264C-2000	78051-7264-20003-DN 78051-7264C-20003-DN	78051-7264-20006-DN 78051-7264C-20006-DN	78051-222AG-ASSY-DN 78051-222AGS-ASSY-DN	78051-222ADS-ASSY-DN 78051-222ADS-ASSY-DN	78051-156A-ASSY-DN 78051-156A-ASSY-DN	78051-54A-ASSY-DN 78051-54A-ASSY-DN	7264-A-DN / AMA-601-DN 7264-K-DN / 7264-C-DN
<b>Endevco</b> 7264D-2000		78051-7264D-20006-DN 78051-7264D-NXT-DN		78051-222ADS-ASSY-DN 78051-222ADS-ASSY-DN	78051-156A-ASSY-DN	78051-54A-ASSY-DN	
<b>Endevco</b> 7231-750	78051-7231C-7503-DN	78051-7231C-7506-DN	78051-222-ASSY-DN	78051-222D-ASSY-DN	78051-156-ASSY-DN	78051-54-ASSY-DN	
<b>Endevco</b> 7267A	78051-7267A3-DN	78051-7267A6-DN	78051-222BGS-ASSY-DN	78051-222BDS-ASSY-DN	78051-156B-ASSY-DN	78051-54B-ASSY-DN	
<b>Kyowa</b> AS-HA	78051-KYOWA AS-HA3-DN	78051-KYOWA AS-HA6-DN	78051-222DG-ASSY-DN	78051-222DD-ASSY-DN	78051-156D-ASSY-DN	78051-54D-ASSY-DN	
<b>Kyowa</b> AS-HA 5mm	78051-KYOWA-ASHA5MM3-DN	78051-KYOWA-ASHA5MM6-DN	78051-222IG-ASSY-DN	78051-222ID-ASSY-DN	78051-156I-ASSY-DN	78051-54I-ASSY-DN	
<b>Kyowa</b> ASM-200BA	78051-KYOWA-200BA3-DN	78051-KYOWA-200BA-DN	78051-222CG-ASSY-DN	78051-222JD-ASSY-DN	78051-156J-ASSY-DN	78051-54J-ASSY-DN	
<b>Kyowa</b> ASM-200CA /FA		78051-KYOWA-200FA6-DN			78051-3000-200FA-DN	78051-4000-200FA-DN	
<b>Entran</b> EGCS3-D-250		78051-EGCS3-D-250-DN		78051-222T-DN	78051-156T-DN	78051-54T-DN	
<b>Entran</b> EGCS3-500				78051-222KD-DN			
<b>Entran</b> EGCS-S425				78051-222V-ASSY-DN		78051-54Z-DN	78051-650H-DN
<b>Kistler</b> M126A		1032534					

## Clothes

Part Number	Description	Qty. Req'd Per Dummy
78051-292-FT	SHIRT,SHORT SLEEVE, MED,100 PINK COTTON	1
78051-293-FT	PANT,ABOVE KNEE, LG, PINK, 100 COTTON	1
6000156	SHOES MENS DRESS OXFORD BLACK 11XW	1
6005569	SHOES MENS DRESS OXFORD WHITE 11XW	1

## Misc.

Part Number	Description	Qty. Req'd Per Dummy
78051-9900-FT	USER MANUAL H3-50TH MALE	1
DS-200-52D	SKIN PATCH MATERIAL, EURO BROWN	1
78051-231-H	LIFTING RING	1
93051-1-DN	FOAM NECK SHIELD	1