



Humanetics Innovative Solutions, Inc.
Hybrid-III 50th Ball Bearing Knee Slider Male Dummy
78051-218-BKS-H



Brand Harmonized Parts Catalog





For information on Humanetics products, please visit our web site at www.humaneticsatd.com

or contact:

Humanetics Innovative Solutions

23300 Haggerty Road

Farmington Hills, Michigan

48335 USA

Tel: +1 248 778 2000

Fax: +1 248 778 2001

No part of this publication may be reproduced, stored in a retrieval system or transmitted in any form or by any means, electronic, photocopying, recording, mechanical or otherwise, without the express written consent of Humanetics Innovative Solutions.

Copyright © 2015 Humanetics Innovative Solutions, All rights reserved.

The information in this catalog is furnished for informational use only, and is subject to change without notice. Humanetics Innovative Solutions assumes no responsibility or liability for any errors or inaccuracies that may appear in this catalog.

Table of Contents

Head Assembly	4
Neck Assembly.....	5
Thorax Assembly 1	6
Transducer Assembly	7
Thorax Assembly 2	8
Shoulder Assembly Left.....	9-10
Shoulder Assembly Right	11-12
Arm Assembly Left.....	13
Arm Assembly Right	14
Lower Torso Assembly	15-16
Ball Bearing Knee Slider Leg Assembly Left.....	17-18
Ball Bearing Knee Slider Leg Assembly Right.....	19-20
Ball Bearing Knee Slider Assembly Left	21
Ball Bearing Knee Slider Assembly Right	22
Ankle Assembly	23
Accelerometer Mount Matrix	24
Clothes	24
Misc.....	24

Head Assembly – Harmonized



Part Number	Description	Qty. Req'd Per Dummy
78051-61X-H	Head Assembly Complete, Tested/Certified* Head machined to accept six-axis neck transducer	1
78051-228-H	Head Skin, Tested/Certified	1
78051-77XB-DN	Skull, machined assembly, 6-axis Neck with ballast	1
78051-220-DN	Skull Cap, machined	1
78051-229-H	Cap Skin	1
9000005-DN	Screw, SHCS 1/4-20 x 5/8	4
78051-383X-DN	Structural Replacement, 6-axis Neck Transducer	1
1717	Pivot Pin, Neck Transducer	1
78051-253-DN	Washer, Nodding Joint	2
9000452-DN	Screw, SSCP 8-32 x 1/4	2
9000677-DN	Washer - .250 ID x .375 OD x .06 THK	4
9000264-DN	Screw, SHCS 1/4 - 28 x 7/8	4
83-5006-001-DN	Skull Cable Clip	1
9000538-DN	Screw, BHCS 10-32 x 3/8	1

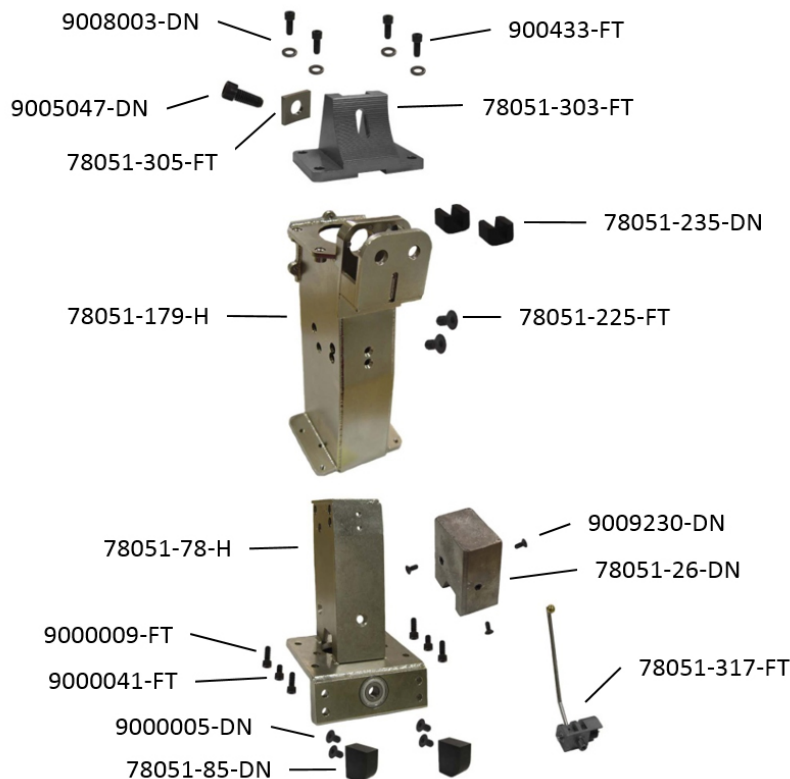
*The Complete Head Assembly is supplied with an accelerometer mount kit free of charge. Please specify the type required when placing order.

*Accelerometer Mount - Refer to Accelerometer Mount Matrix for Options

Neck Assembly – Harmonized



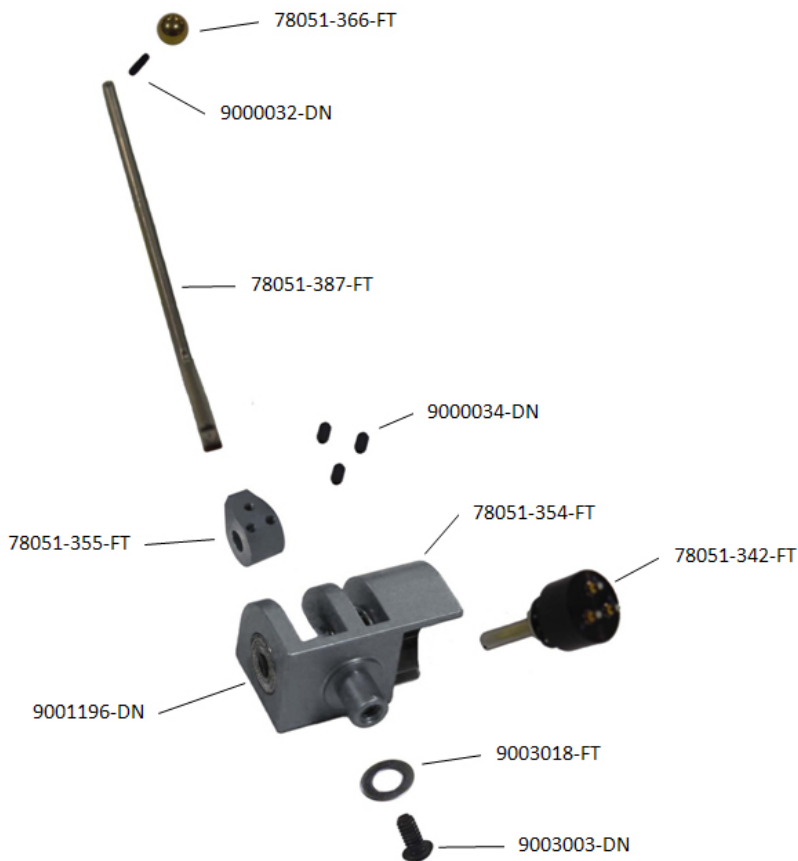
Part Number	Description	Qty. Req'd Per Dummy
78051-90-H	Neck Assembly Complete, Tested/Certified	1
9000447-DN	Screw, FHCS 1/4-20 x 3/4	4
78051-297-DN	Nodding Joint Assembly	1
78051-322-DN	Bushing, Nodding Joint, Neck	1
78051-301-FT	Neck Cable	1
78051-336-H	Neck Molded, Tested/Certified	1
78051-351-8550-H	Nodding Block, 84 - 87 Shore A, Hi Damp	2
9000018-DN	Nut, Hex Jam 1/2-20	1
9008007-DN	Washer, Flat .515 ID x .875 OD	1
*PARTS NOT INCLUDED IN THE NECK ASSEMBLY, BUT ARE REQUIRED TO MOUNT NECK TO UPPER TORSO		
9008001-DN	Washer, Flat, Neck Bracket	4
9000005-DN	Screw, SHCS 1/4-20 x 5/8	4
78051-307-FT	Neck Bracket, Upper	1

Thorax Assembly – Harmonized -1

Part Number	Description	Qty. Req'd Per Dummy
78051-89-H	Upper Torso Assembly Complete, Tested/Certified*	1
9000433-FT	Screw, SHCS 5/16-24 x 7/8, Nylok	4
9008003-DN	Washer, Flat	4
9005047-DN	Screw, SHCS 3/8-16 x 1	1
78051-305-FT	Washer, Clamping	1
78051-303-FT	Neck Bracket, Lower	1
78051-179-H	Thoracic Spine	1
78051-225-FT	Screw, FHCS 10-32 x .290 (Spec)	2
78051-235-DN	Bumper Shoulder	2
9000041-FT	Screw, SHCS 1/4-20 x 3/8, Nylok	2
9000009-FT	Screw, SHCS 1/4-20 3/4, Nylok	4
78051-88-FT	Adapter Assembly	1
78051-78-H	Adaptor Weldment	1
9000005-DN	Screw, SHCS 1/4-20 x 5/8	4
78051-26-DN	Thorax CG Weight	1
78051-85-DN	Torso Flexion Stop, Molded	2
9009230-DN	Screw, FHCS 1/4-28 x 5/8	3
78051-317-FT	Chest Deflection Transducer Assembly	1
	Assembly details on next page	

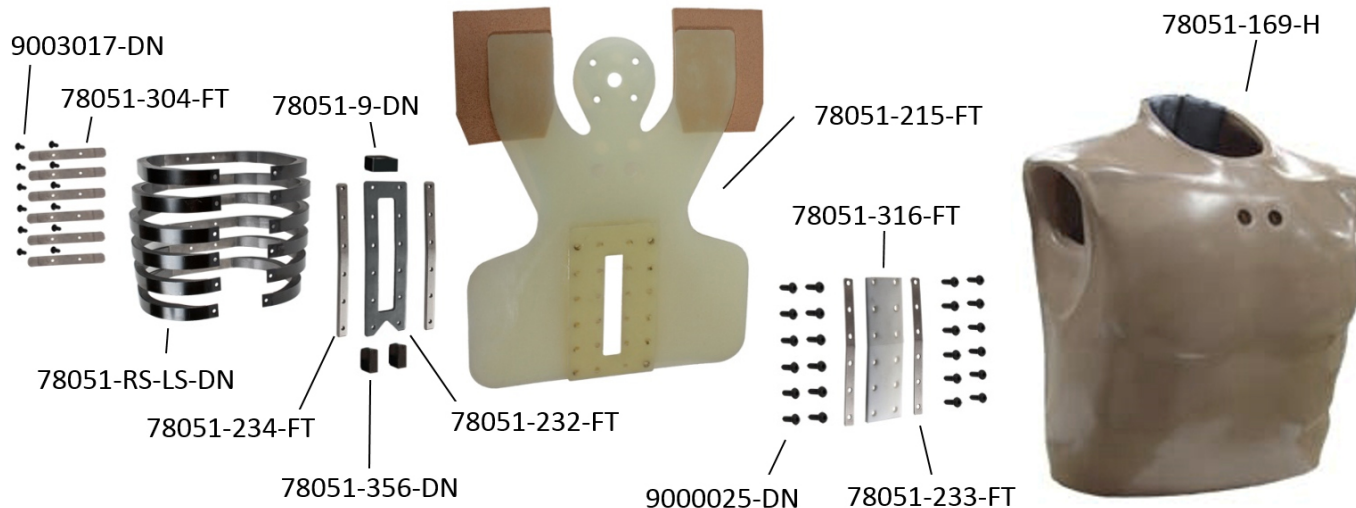
*The Complete Upper Torso Assembly is supplied with an accelerometer mount kit free of charge. Please specify the type required when placing order.

Transducer Assembly – Harmonized



Part Number	Description	Qty. Req'd Per Dummy
78051-317-FT	Chest Deflection Transducer Assembly	1
9003003-DN	Screw, BHCS 1/4-20 x 1/2	1
9003018-FT	Washer-Flat .265 x .500 x .032	1
78051-353-FT	Transducer Arm Assembly	1
78051-387-FT	Transducer Arm	1
78051-366-FT	Transducer Arm Ball	1
9000032-DN	Screw, SSCP 4-40 x 3/8	1
78051-355-FT	Transducer Arm Connector	1
9000034-DN	Screw, SSCP 4-40 x 3/16	3
78051-430-FT	Potentiometer Bracket Assembly	1
9000033-FT	Pin Roll 1/16 x 5/32 SS	1
9001196-DN	Bearing	2
78051-354-FT	Potentiometer Bracket without Bearing	1
78051-342-FT	Potentiometer, (Rotary Chest Deflection)	1

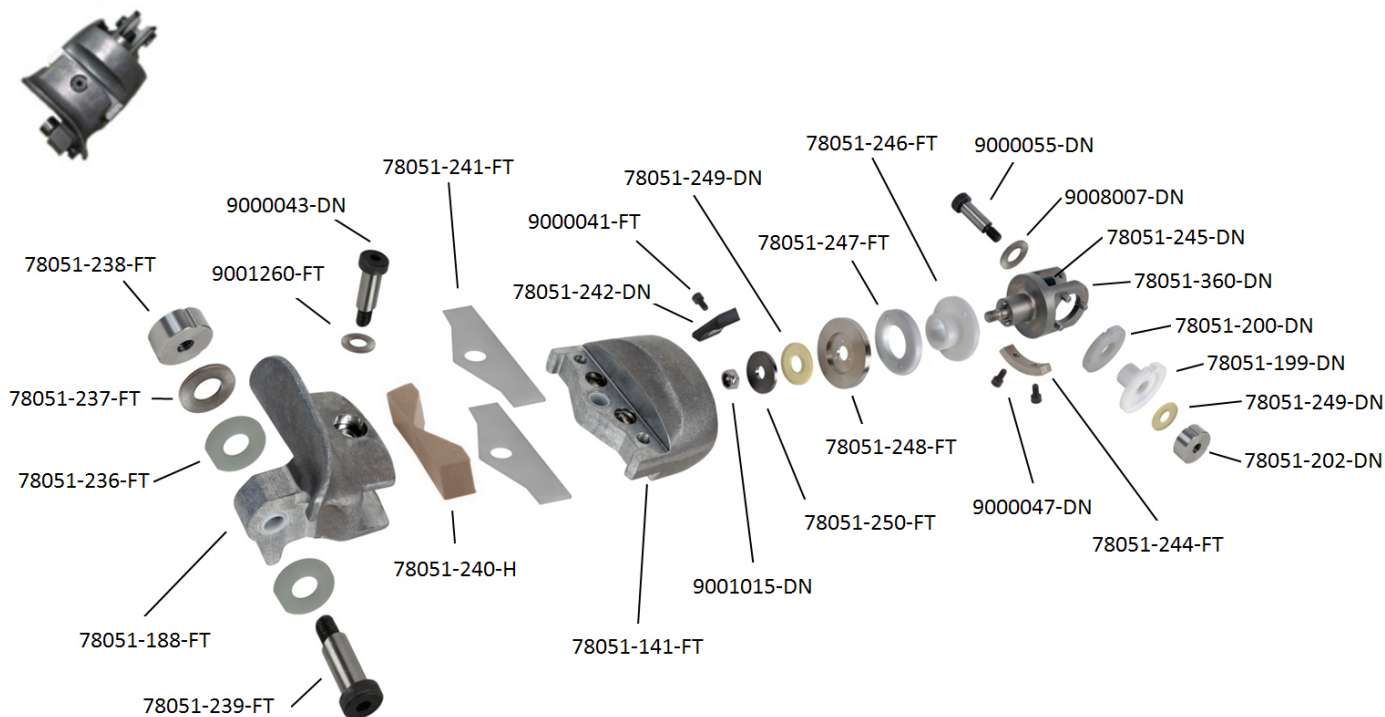
Thorax Assembly – Harmonized -2



Part Number	Description	Qty. Req'd Per Dummy
78051-89-H	Upper Torso Assembly Complete, Tested/Certified* (cont'd)	
78051-304-FT	Support, Rib Rear	6
9003017-DN	Screw, BHCS 10-32 x 1/2	12
78051-RS-LS-DN	Rib Set Complete, Tested/Certified High & Low Speed	1
78051-35-DN	Individual Rib, Rib # 1, untested	1
78051-36-DN	Individual Rib, Rib # 2, untested	1
78051-37-DN	Individual Rib, Rib # 3, untested	1
78051-38-DN	Individual Rib, Rib # 4, untested	1
78051-39-DN	Individual Rib, Rib # 5, untested	1
78051-40-DN	Individual Rib, Rib # 6, untested	1
78051-234-FT	Strip, Front Rib End Threaded	2
78051-357-FT	Sternum Assembly	1
78051-232-FT	Sternum	1
78051-356-DN	Stop, Sternum	2
78051-9-DN	Stop, Sternum	1
78051-215-FT	Bib Assembly, Sternum to Ribs	1
9000025-DN	Screw, BHCS 10-32 x 5/8	24
78051-233-FT	Plate, Front End Stiffener	2
78051-316-FT	Transducer Arm Slider	1
78051-169-H	Chest Flesh and Skin Assembly (Zipper Starts from the Top)	1

*The Complete Upper Torso Assembly is supplied with an accelerometer mount kit free of charge. Please specify the type required when placing order.

Shoulder Assembly Left – Harmonized

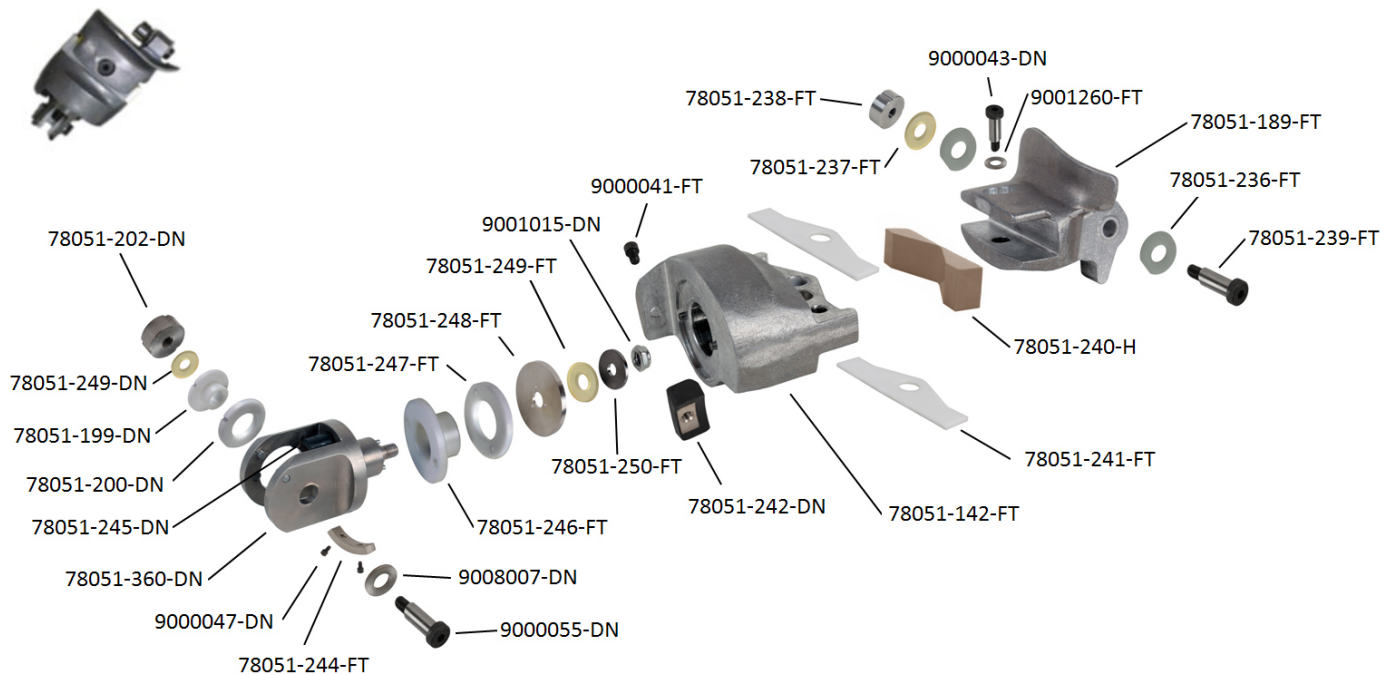


Part Number	Description	Qty. Req'd Per Dummy
78051-89-H	Upper Torso Assembly Complete, Tested/Certified* (cont'd)	
78051-238-FT	Nut, Clavicular Link Pivot	1
78051-236-FT	Washer, Clavicular Link Pivot	2
78051-237-FT	Washer/Nut, Clavicular Link Pivot	1
78051-239-FT	Clavicular Link Pivot Screw	1
78051-410-H	Shoulder Assembly Complete, Left	1
78051-188-FT	Clavicle Link, Left	1
78051-240-H	Spring, Clavicle Stop	1
78051-241-FT	Spacers, Clavicle	2
9008007-DN	Washer, Flat, Stainless Steel	1
9000043-DN	Screw, SHSS 1/2 x 1	1
78051-141-FT	Clavicle, Left	1
78051-242-DN	Stop, Shoulder Yoke Pivot (Rubber)	1
9001015-DN	Nut, Hex Jam 3/8-16	1
9000047-DN	Screw, SHCS 1/4-24 x 3/8	1
78051-250-FT	Washer, Shoulder Yoke Retaining	1
78051-249-DN	Washer, Spring	2
78051-248-FT	Washer, Shoulder Yoke (Steel)	1
78051-247-FT	Washer, Shoulder Yoke Pivot	1
78051-246-FT	Bushing, Shoulder Yoke Pivot	1
78051-360-DN	Shoulder Yoke	1
78051-245-DN	Stop, Shoulder Yoke	1

78051-410-H	Shoulder Assembly Complete, Left (Con't)	
78051-244-FT	Stop, Shoulder Yoke Pivot (Steel)	1
9000041-FT	Screw, SHCS 1/4-20 x 3/8 Nylock	1
9000055-DN	Screw, SHSS 1/2 x 1-1/4	1
9001260-FT	Washer, Flat, Stainless Steel	1
78051-200-DN	Washer, Upper Arm/Elbow Pivot	1
78051-199-DN	Bushing, Upper Arm/Elbow Pivot	1
78051-202-DN	Nut, Upper Arm Pivot	1

*The Complete Upper Torso Assembly is supplied with an accelerometer mount kit free of charge.
Please specify the type required when placing order.

Shoulder Assembly Right – Harmonized

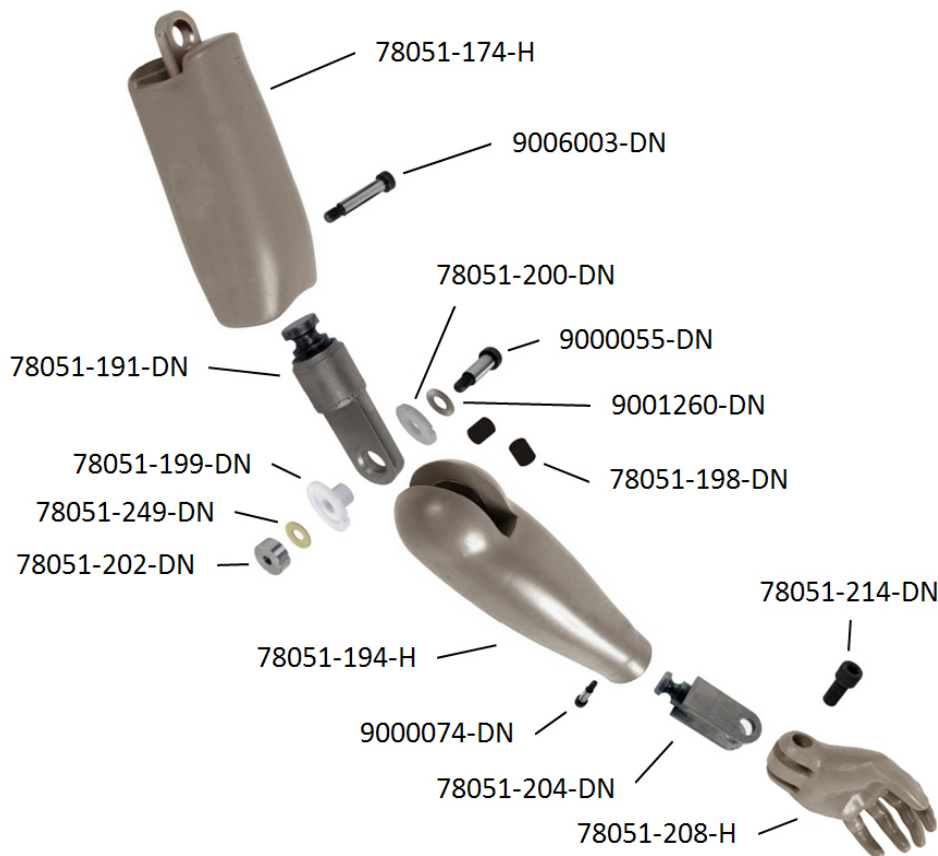


Part Number	Description	Qty. Req'd Per Dummy
78051-89-H	Upper Torso Assembly Complete, Tested/Certified* (cont'd)	
78051-238-FT	Nut, Clavicular Link Pivot	1
78051-236-FT	Washer, Clavicular Link Pivot	2
78051-237-FT	Washer/Nut, Clavicular Link Pivot	1
78051-239-FT	Clavicular Link Pivot Screw	1
78051-420-H	Shoulder Assembly Complete, Right	1
78051-189-FT	Clavicle Link, Right	1
78051-240-H	Spring, Clavicle Stop	1
78051-241-FT	Spacers, Clavicle	2
9008007-DN	Washer, Flat, Stainless Steel	1
9000043-DN	Screw, SHSS 1/2 x 1	1
78051-142-FT	Clavicle, Right	1
78051-242-DN	Stop, Shoulder Yoke Pivot (Rubber)	1
9001015-DN	Nut, Hex Jam 3/8-16	1
9000047-DN	Screw, SHCS 1/4-24 x 3/8	1
78051-250-FT	Washer, Shoulder Yoke Retaining	1
78051-249-DN	Washer, Spring	2
78051-248-FT	Washer, Shoulder Yoke (Steel)	1
78051-247-FT	Washer, Shoulder Yoke Pivot	1
78051-246-FT	Bushing, Shoulder Yoke Pivot	1
78051-360-DN	Shoulder Yoke	1
78051-245-DN	Stop, Shoulder Yoke	1
78051-244-FT	Stop, Shoulder Yoke Pivot (Steel)	1
9000041-FT	Screw, SHCS 1/4-20 x 3/8 Nylock	1

78051-420-H	Shoulder Assembly Complete, Right (Con't)	
9000055-DN	Screw, SHSS 1/2 x 1-1/4	1
9001260-FT	Washer, Flat, Stainless Steel	1
78051-200-DN	Washer, Upper Arm/Elbow Pivot	1
78051-199-DN	Bushing, Upper Arm/Elbow Pivot	1
78051-202-DN	Nut, Upper Arm Pivot	1

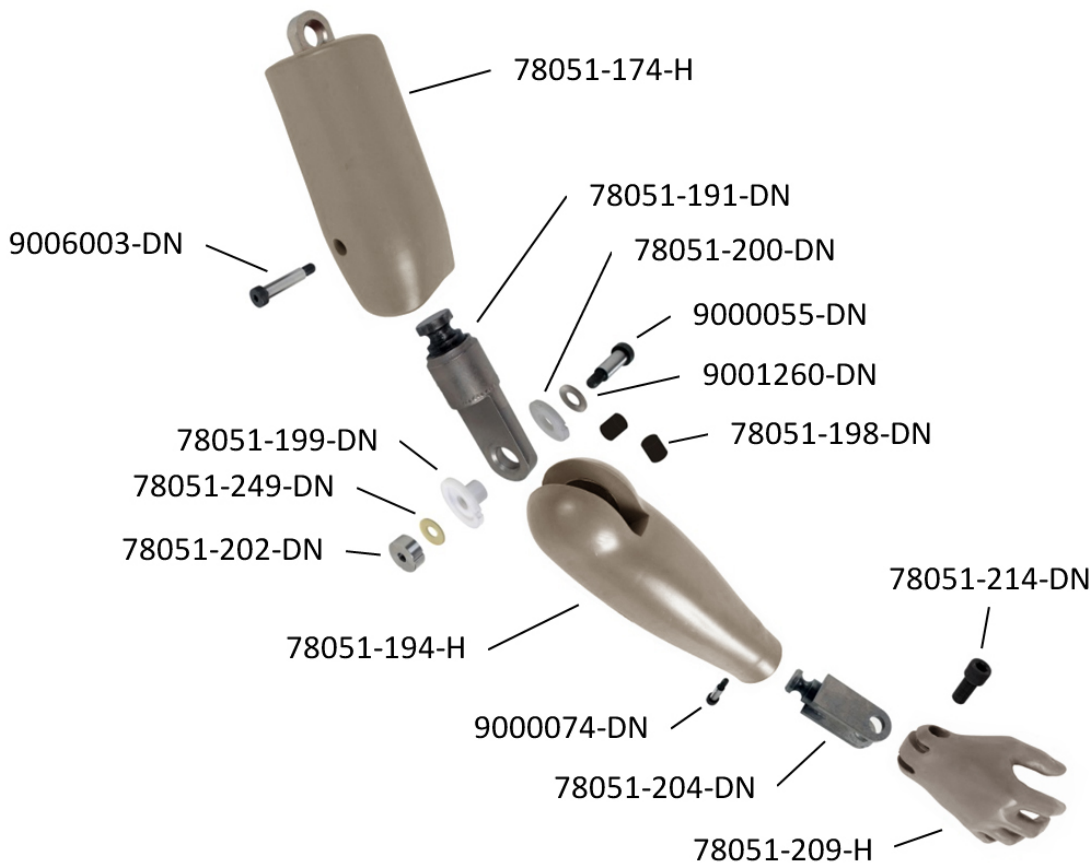
*The Complete Upper Torso Assembly is supplied with an accelerometer mount kit free of charge.
Please specify the type required when placing order.

Arm Assembly Left – Harmonized



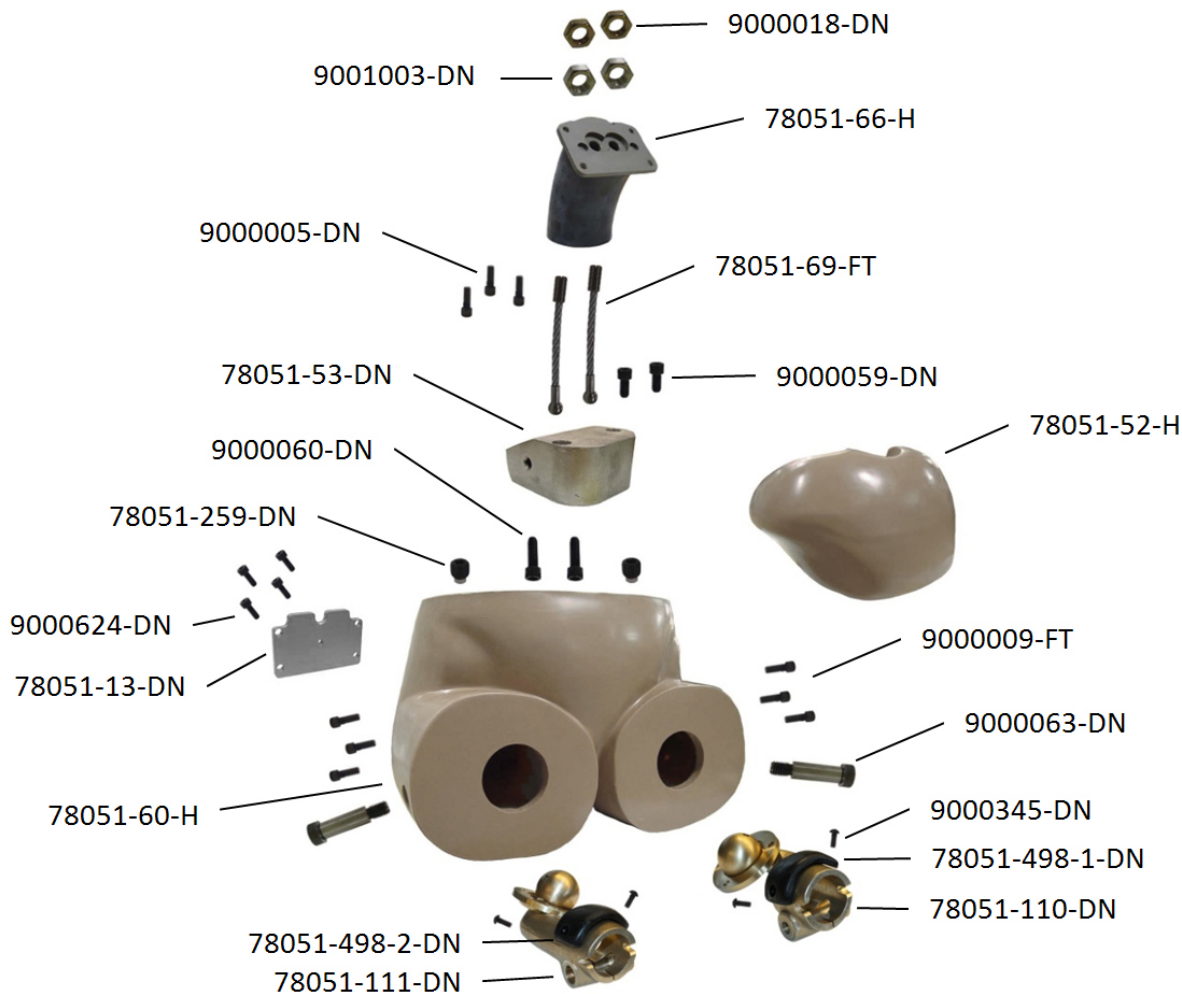
Part Number	Description	Qty. Req'd Per Dummy
78051-123-H	Arm Assembly Complete, Left	1
78051-174-H	Upper Arm Assembly, Molded, with Flesh	1
9006003-DN	Screw, SHSS 3/8 x 1-1/2	1
9001260-DN	Washer, Flat, (Stainless Steel)	1
78051-191-DN	Upper Arm, Lower Part Weldment	1
9000055-DN	Screw, SHSS 1/2 x 1-1/4	1
78051-249-DN	Washer, Spring	1
78051-199-DN	Bushing, Upper Arm/Elbow Pivot	1
78051-200-DN	Washer, Upper Arm/Elbow Pivot	1
78051-202-DN	Nut, Upper Arm Pivot	1
78051-194-H	Lower Arm Assembly, Molded, with Flesh	1
78051-198-DN	Stop, Lower Arm, Molded	2
9000074-DN	Screw, SHSS 3/8 x 1	1
78051-204-DN	Lower Arm, Lower Part Weldment	1
78051-214-DN	Pivot Screw, Wrist	1
78051-208-H	Hand Assembly, Left	1

Arm Assembly Right – Harmonized



Part Number	Description	Qty. Req'd Per Dummy
78051-124-H	Arm Assembly Complete, Right	1
78051-174-H	Upper Arm Assembly, Molded, with Flesh	1
9006003-DN	Screw, SHSS 3/8 x 1-1/2	1
9001260-DN	Washer, Flat, (Stainless Steel)	1
78051-191-DN	Upper Arm, Lower Part Weldment	1
9000055-DN	Screw, SHSS 1/2 x 1-1/4	1
78051-249-DN	Washer, Spring	1
78051-199-DN	Bushing, Upper Arm/Elbow Pivot	1
78051-200-DN	Washer, Upper Arm/Elbow Pivot	1
78051-202-DN	Nut, Upper Arm Pivot	1
78051-194-H	Lower Arm Assembly, Molded, with Flesh	1
78051-198-DN	Stop, Lower Arm, Molded	2
9000074-DN	Screw, SHSS 3/8 x 1	1
78051-204-DN	Lower Arm, Lower Part Weldment	1
78051-214-DN	Pivot Screw, Wrist	1
78051-209-H	Hand Assembly, Right	1

Lower Torso Assembly – Harmonized

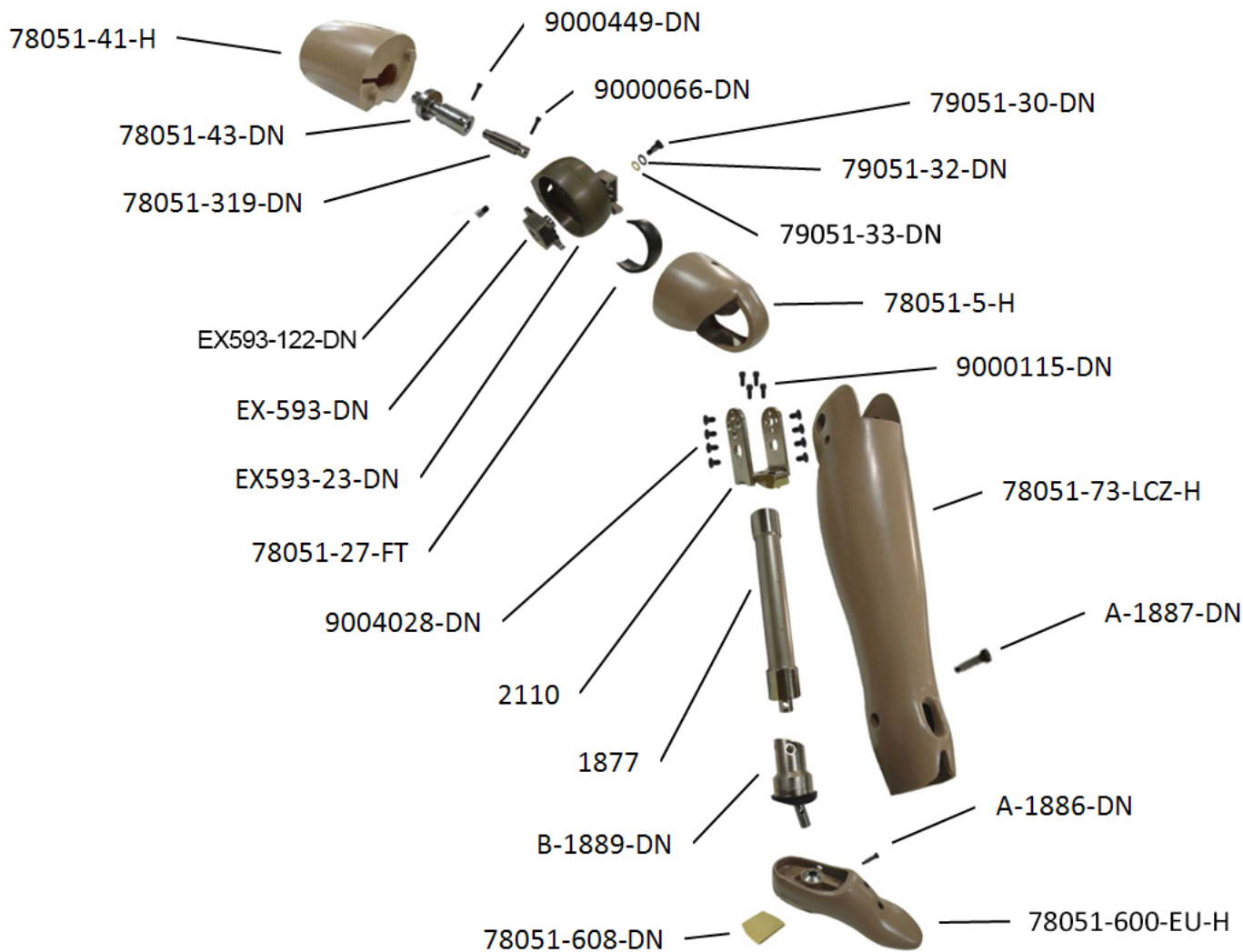


Part Number	Description	Qty. Req'd Per Dummy
78051-70-H	Lower Torso Assembly Complete, Tested/Certified*	1
9000018-DN	Nut, Hex Jam 1/2-20	2
9001003-DN	Nut, Hex 1/2-20	2
78051-66-H	Lumbar Spine, Molded	1
78051-69-FT	Lumber Cable	2
78051-53-DN	Lumbar Spine Bracket, Molded	1
9000005-DN	Screw, SHCS 1/4-20 x 5/8	3
9000059-DN	Screw, SHCS 3/8-16 x 3/4	2
9000060-DN	Screw, SHCS 3/8-16 x 1-1/4	2
78051-52-H	Abdominal Insert	1
78051-59-H	Pelvic Assembly Complete, Tested/Certified ROM*	1
78051-259-DN	Femur Friction Plunger Assembly (Set Screw Assy.)	2
9000624-DN	Screw, SHCS 10 - 24 x 1/2	4
78051-13-DN	Pelvic Instrument Cavity Cover	1

78051-60-H	Pelvis, Molded, Tested/Certified ROM	1
9000063-DN	Screw, SHSS 5/8 x 1-3/4	2
9000009-FT	Screw, SHCS 1/4-20 x 3/4, Nylok	6
78051-114-DN	Femur Flange Assembly, Left with Bumper	1
78051-110-DN	Femur & Flange Assembly, Left	1
78051-498-1-DN	Femur Bumper, Left	1
9000345-DN	Screw, BHCS 8-32 x 3/8	2
78051-115-DN	Femur Flange Assembly, Right with Bumper	1
78051-111-DN	Femur & Flange Assembly, Right	1
78051-498-2-DN	Femur Bumper, Right	1
9000345-DN	Screw, BHCS 8-32 x 3/8	2

*The Complete Lower Torso and Complete Pelvis Assembly is supplied with an accelerometer mount kit free of charge. Please specify the type required when placing order.

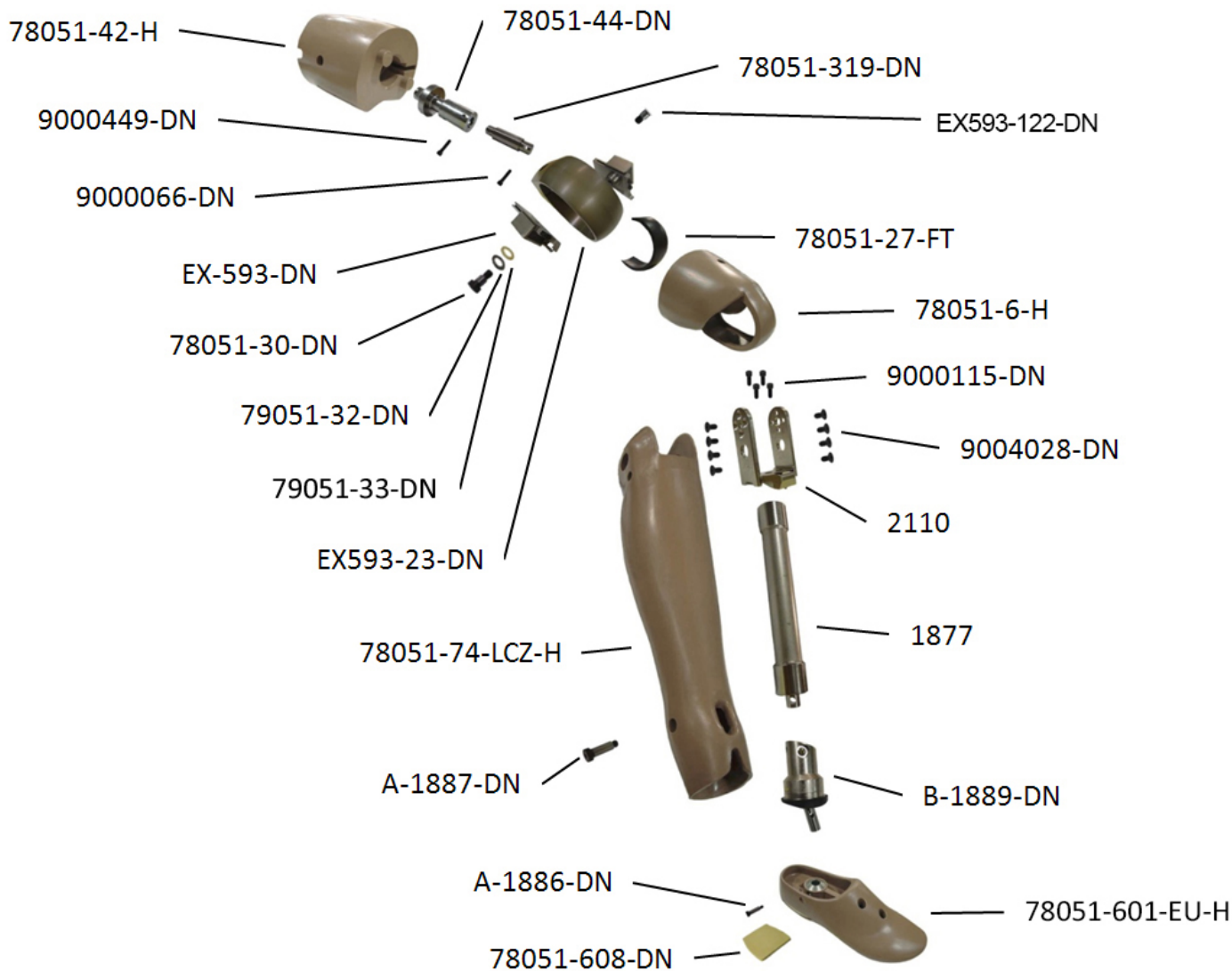
Ball Bearing Knee Slider Leg Assembly Left – Harmonized



Part Number	Description	Qty. Req'd Per Dummy
86-5001-001-H-ENCAP	Leg Assembly, Ball Bearing Knee Slider Complete, Left	1
78051-46-H	Upper Leg (Thigh) Assembly Complete, Left	1
78051-41-H	Thigh Flesh/Skin, Molded, Left	1
78051-43-DN	Upper Leg (Thigh) Bone Weldment, Left	1
78051-319-DN	Load Cell Simulator	1
9000449-DN	Screw, SHCS 3/8-16 x 1-3/4	1
9000066-DN	Screw, SHCS 3/8-16 x 2	1
EX593-1-H-ENCAP	BBKS Knee Assembly, Tested/Cert., Left	1
EX593-23-DN	Knee Cap, BBKS Machined Assembly	1
EX593-122-DN	Pin, Knee Stop	1

9004028-DN	Screw, FHCS 1/4-28 x 3/8	8
79051-33-DN	Compression Washer	1
79051-32-DN	Washer, Sliding Knee	1
79051-35-DN	Rotation Stop Arm	1
78051-73-LCZ-H	Lower Leg Flesh Left Removable w/zipper	1
78051-5-H	Knee Flesh/Skin, Molded, Left	1
78051-27-FT	Knee Insert, Tested/Certified (Rubber)	1
C-1877-DN	Non-instrumented Tibia, LH & RH	1
9000115-DN	Screw, SHCS 1/4-28 x 1/2	4
2110	Knee Clevis Weldment	1
1877	Lower Leg Structural Replacement	1
B-1889-DN	Ankle Rotation Assembly	1
	<i>See Detailed Assembly following Ball Bearing Knee Slider Assembly</i>	
78051-600-EU-H	Foot Molded 45 Degree, Tested/Certified, Left	1
78051-608-DN	Heel Pad Foam	1
A-1886-DN	Foot Attachment Bolt	1
<i>Optional</i>		
78051-600D-H-ENCAP	H3 50TH Foot Assy, Left, ENCAP (Accel mount foot)	1

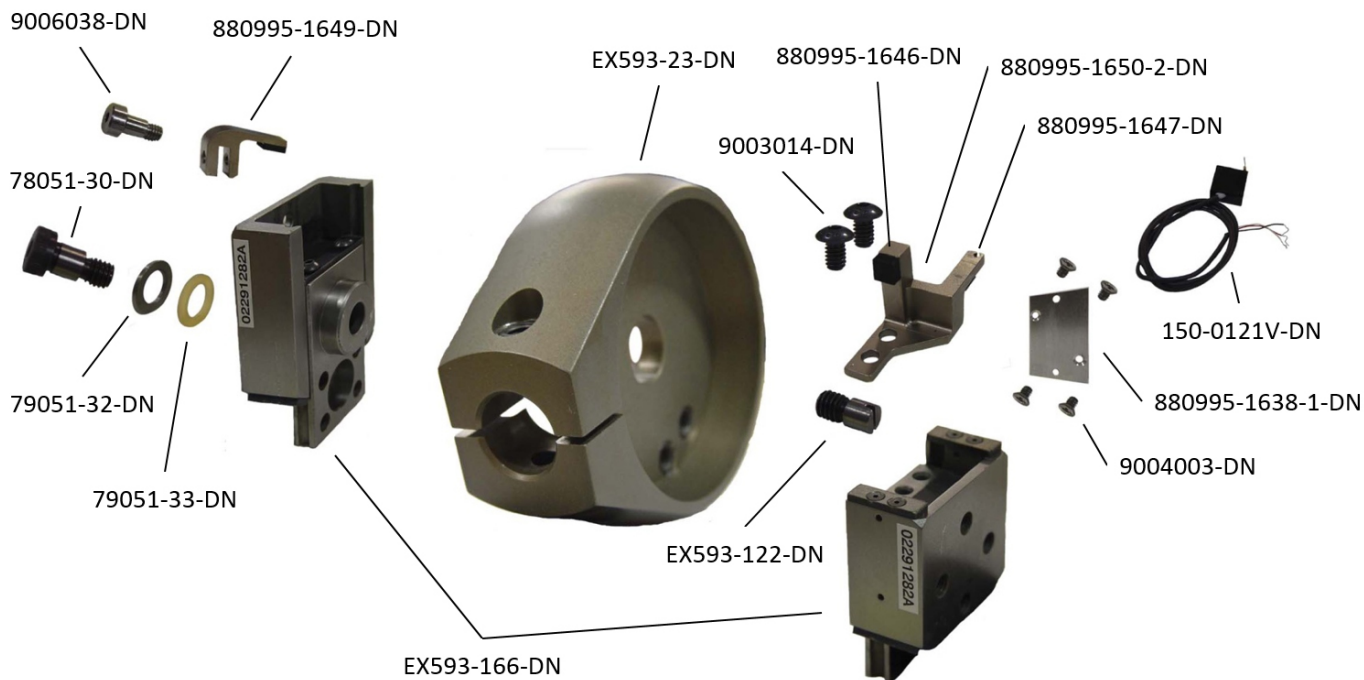
Ball Bearing Knee Slider Leg Assembly Right – Harmonized



Part Number	Description	Qty. Req'd Per Dummy
86-5001-002-H-ENCAP	Leg Assembly, Ball Bearing Knee Slider Complete, Right	1
78051-47-H	Upper Leg (Thigh) Assembly Complete, Right	1
78051-42-H	Thigh Flesh/Skin, Molded, Right	1
78051-44-DN	Upper Leg (Thigh) Bone Weldment, Right	1
78051-319-DN	Load Cell Simulator	1
9000449-DN	Screw, SHCS 3/8-16 x 1-3/4	1
9000066-DN	Screw, SHCS 3/8-16 x 2	1
EX-593-2-H-ENCAP	BBKS Knee Assembly, Tested/Cert. Right	1
EX593-23-DN	Knee Cap, BBKS, Machined Assembly	1
EX593-122-DN	Pin, Knee Stop	1

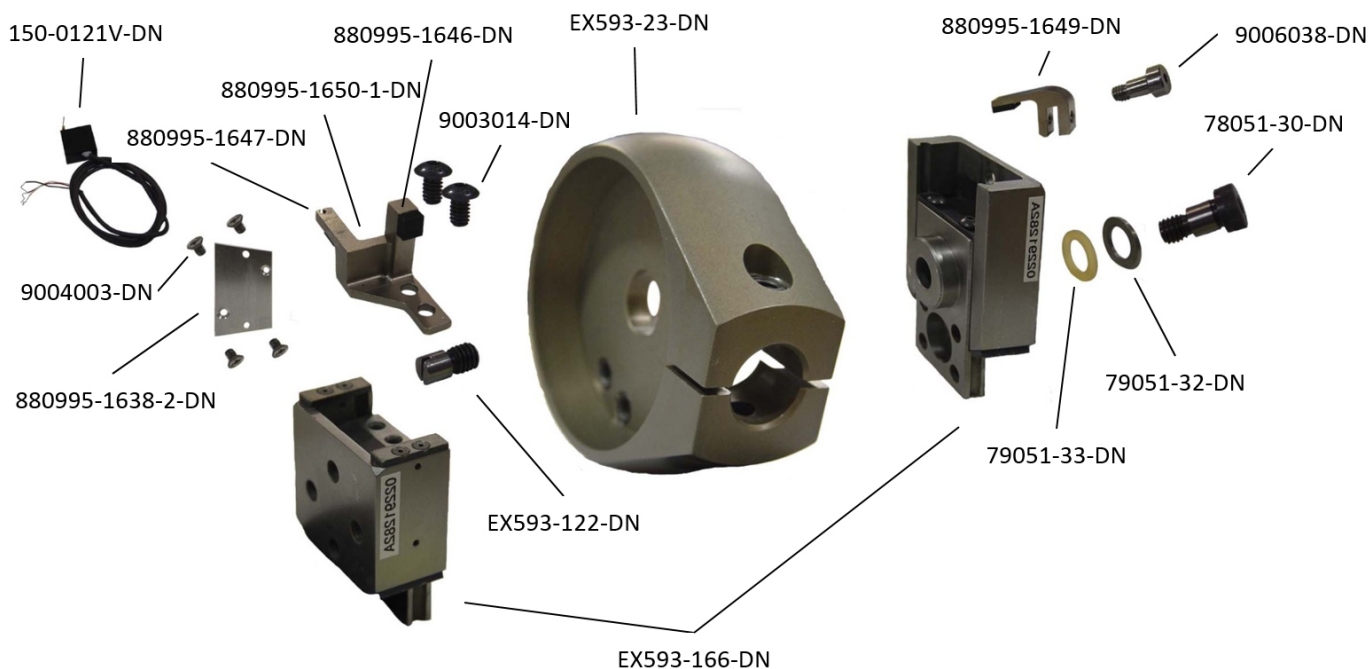
9004028-DN	Screw, FHCS 1/4-28 x 3/8	8
79051-33-DN	Compression Washer	1
79051-32-DN	Washer, Sliding Knee	1
79051-35-DN	Rotation Stop Arm	1
78051-74-LCZ-H	Lower Leg Flesh Right Removable w/Zipper	1
78051-6-H	Knee Flesh/Skin, Molded, Right	1
78051-27-FT	Knee Insert, Tested/Certified (Rubber)	1
C-1877-DN	Non-instrumented Tibia, LH & RH	1
9000115-DN	Screw, SHCS 1/4-28 x 1/2	4
2110	Knee Clevis Weldment	1
1877	Lower Leg Structural Replacement	1
B-1889-DN	Ankle Rotation Assembly	1
	<i>See Detailed Assembly following Ball Bearing Knee Slider Assembly</i>	
78051-601-EU-H	Foot Molded 45 Degree, Tested/Certified, Right	1
78051-608-DN	Heel Pad Foam	1
A-1886-DN	Foot Attachment Bolt	1
<i>Optional</i>		
78051-601D-H-ENCAP	H3 50TH Foot Assy, Right, ENCAP (Accel mount foot)	1

Ball Bearing Knee Slider Assembly Left – Harmonized



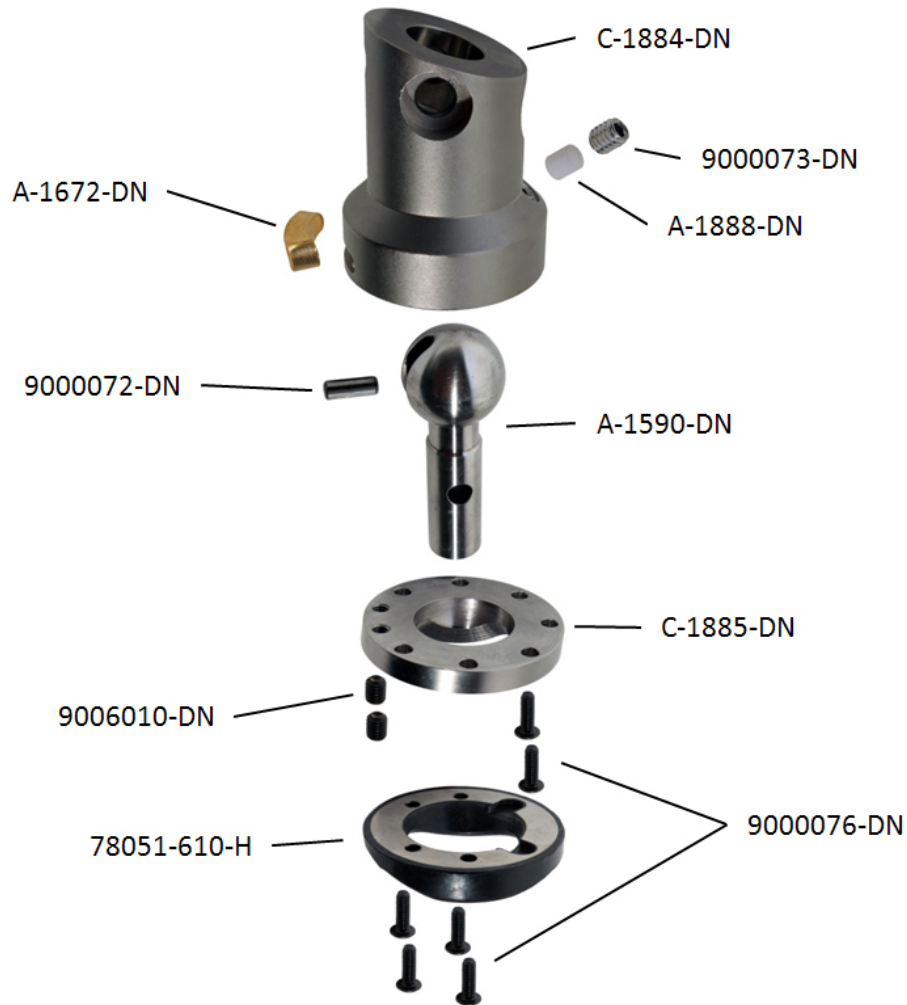
Part Number	Description	Qty. Req'd Per Dummy
EX593-1-H-ENCAP	BBKS Assembly, Left	1
150-0121V-DN	Potentiometer, String, Mini, Universal	1
79051-30-DN	Shoulder Bolt, Modified, LH & RH	1
79051-32-DN	Washer, LH & RH	1
79051-33-DN	Compression Washer, LH & RH	1
880995-1638-1-DN	Mounting Plate, Left, Ball Slider Pot	1
880995-1649-DN	Assembly, Travel Stop, Ball Slider	1
880995-1645-DN	Bumper, Outboard Stop, Ball Slider	1
880995-1650-2-DN	String Holder Assy, Left, Ball Slider	1
880995-1646-DN	Bumper, Extension Stop, Ball Slider	1
880995-1647-DN	Bumper, Return Stop, Ball Slider	1
880995-1648-1-DN	String Holder, Left, Ball Slider Pot	1
9003014-DN	Screw, BHCS 8-32 x 1/4	2
9004003-DN	Screw, FHCS 2-56 x 1/8, Phillips Head	4
9006038-DN	Screw, BHCS 3/16 x 1/4	1
EX593-122-DN	Knee Stop Pin	1
EX593-166-DN	Ball Slider Assy, Includes I/B, O/B	1
EX593-23-DN	Knee Cap, Modified, Ball Slider, H3-50	1

Ball Bearing Knee Slider Assembly Right – Harmonized



Part Number	Description	Qty. Req'd Per Dummy
EX593-2-H-ENCAP	BBKS Assembly, Right	1
150-0121V-DN	Potentiometer, String, Mini, Universal	1
79051-30-DN	Shoulder Bolt, Modified, LH & RH	1
79051-32-DN	Washer, LH & RH	1
79051-33-DN	Compression Washer, LH & RH	1
880995-1638-2-DN	Mounting Plate, Right, Ball Slider Pot	1
880995-1649-DN	Assembly, Travel Stop, Ball Slider	1
880995-1645-DN	Bumper, Outboard Stop, Ball Slider	1
880995-1650-1-DN	String Holder Assy, Right, Ball Slider	1
880995-1646-DN	Bumper, Extension Stop, Ball Slider	1
880995-1647-DN	Bumper, Return Stop, Ball Slider	1
880995-1648-2-DN	String Holder, Right, Ball Slider Pot	1
9003014-DN	Screw, BHCS 8-32 x 1/4	2
9004003-DN	Screw, FHCS 2-56 x 1/8, Phillips Head	4
9006038-DN	Screw, BHCS 3/16 x 1/4	1
EX593-122-DN	Knee Stop Pin	1
EX593-166-DN	Ball Slider Assy, Includes I/B, O/B	1
EX593-23-DN	Knee Cap, Modified, Ball Slider, H3-50	1

Ankle Assembly – Harmonized



Part Number	Description	Qty. Req'd Per Dummy
B-1889-DN	Ankle Rotation Assembly	1
C-1884-DN	Ankle, Upper Shell	1
C-1885-DN	Ankle, Lower Shell	1
A-1590-DN	Ankle Shaft	1
78051-610-H	Ankle Bumper (Rubber)	1
9000072-DN	Pin, Dowel 3/16 x 1/2	1
A-1672-DN	Stop Pin Retainer	1
A-1888-DN	Ankle Friction Pad	1
9000073-DN	Screw, SSCP 5/16-18 x 3/8	1
9006010-DN	Screw, SSCP 10-32 x 1/4	2
9000076-DN	Screw, BHCS 8-32 x 1/2	6

Accelerometer Mounts

Accelerometer Type	Complete Dummy (78051-218-H)		Components				
	3-Axis	6-Axis	(78051-61-H) 3-Axis Head	(78051-61X-H) 6-Axis Head	78051-89-H Chest	(78051-59-H) Pelvis	(78051-600-H/601-H) 45 Deg Foot
Endevco 7264A-2000 7264B-2000	78051-7264A-20003-DN 78051-7264B-20003-DN	78051-7264A-20006-DN 78051-7264B-20006-DN	78051-222CG-ASSY-DN 78051-222CG-ASSY-DN	78051-222CDS-ASSY-DN 78051-222CDS-ASSY-DN	78051-156C-ASSY-DN 78051-156C-ASSY-DN	78051-54C-ASSY-DN 78051-54C-ASSY-DN	7264-B-ASSY-DN 7264-BF-ASSY-DN
Endevco 7264-2000 7264C-2000	78051-7264-20003-DN 78051-7264C-20003-DN	78051-7264-20006-DN 78051-7264C-20006-DN	78051-222AG-ASSY-DN 78051-222AGS-ASSY-DN	78051-222ADS-ASSY-DN 78051-222ADS-ASSY-DN	78051-156A-ASSY-DN 78051-156A-ASSY-DN	78051-54A-ASSY-DN 78051-54A-ASSY-DN	7264-A-DN / AMA-601-DN 7264-K-DN / 7264-C-DN
Endevco 7264D-2000		78051-7264D-20006-DN 78051-7264D-NXT-DN		78051-222ADS-ASSY-DN 78051-222ADS-ASSY-DN	78051-156A-ASSY-DN	78051-54A-ASSY-DN	
Endevco 7231-750	78051-7231C-7503-DN	78051-7231C-7506-DN	78051-222-ASSY-DN	78051-222D-ASSY-DN	78051-156-ASSY-DN	78051-54-ASSY-DN	
Endevco 7267A	78051-7267A3-DN	78051-7267A6-DN	78051-222BGS-ASSY-DN	78051-222BDS-ASSY-DN	78051-156B-ASSY-DN	78051-54B-ASSY-DN	
Kyowa AS-HA	78051-KYOWA AS-HA3-DN	78051-KYOWA AS-HA6-DN	78051-222DG-ASSY-DN	78051-222DD-ASSY-DN	78051-156D-ASSY-DN	78051-54D-ASSY-DN	
Kyowa AS-HA 5mm	78051-KYOWA-ASHA5MM3-DN	78051-KYOWA-ASHA5MM6-DN	78051-222IG-ASSY-DN	78051-222ID-ASSY-DN	78051-156I-ASSY-DN	78051-54I-ASSY-DN	
Kyowa ASM-200BA	78051-KYOWA-200BA3-DN	78051-KYOWA-200BA-DN	78051-222CG-ASSY-DN	78051-222JD-ASSY-DN	78051-156J-ASSY-DN	78051-54J-ASSY-DN	
Kyowa ASM-200CA /FA		78051-KYOWA-200FA6-DN			78051-3000-200FA-DN	78051-4000-200FA-DN	
Entran EGCS3-D-250		78051-EGCS3-D-250-DN		78051-222T-DN	78051-156T-DN	78051-54T-DN	
Entran EGCS3-500				78051-222KD-DN			
Entran EGCS-S425				78051-222V-ASSY-DN		78051-54Z-DN	78051-650H-DN
Kistler M126A		1032534					

Clothes

Part Number	Description	Qty. Req'd Per Dummy
78051-292-FT	SHIRT,SHORT SLEEVE, MED,100 PINK COTTON	1
78051-293-FT	PANT,ABOVE KNEE, LG, PINK, 100 COTTON	1
6000156	SHOES MENS DRESS OXFORD BLACK 11XW	1
6005569	SHOES MENS DRESS OXFORD WHITE 11XW	1

Misc.

Part Number	Description	Qty. Req'd Per Dummy
78051-9900-FT	USER MANUAL H3-50TH MALE	1
DS-200-52D	SKIN PATCH MATERIAL, EURO BROWN	1
78051-231-H	LIFTING RING	1
93051-1-DN	FOAM NECK SHIELD	1