

Humanetics Innovative Solutions, Inc.

EuroSID-2re Male Side Impact Dummy

175-0000-H



Brand Harmonized Parts Catalog





For information on Humanetics products, please visit our web site at www.humaneticsatd.com

or contact:

Humanetics Innovative Solutions

23300 Haggerty Road

Farmington Hills, Michigan

48335 USA

Tel: +1 248 778 2000

Fax: +1 248 778 2001

No part of this publication may be reproduced, stored in a retrieval system or transmitted in any form or by any means, electronic, photocopying, recording, mechanical or otherwise, without the express written consent of Humanetics Innovative Solutions.

Copyright © 2017 Humanetics Innovative Solutions, All rights reserved.

The information in this catalog is furnished for informational use only, and is subject to change without notice. Humanetics Innovative Solutions assumes no responsibility or liability for any errors or inaccuracies that may appear in this catalog.

Table of Contents

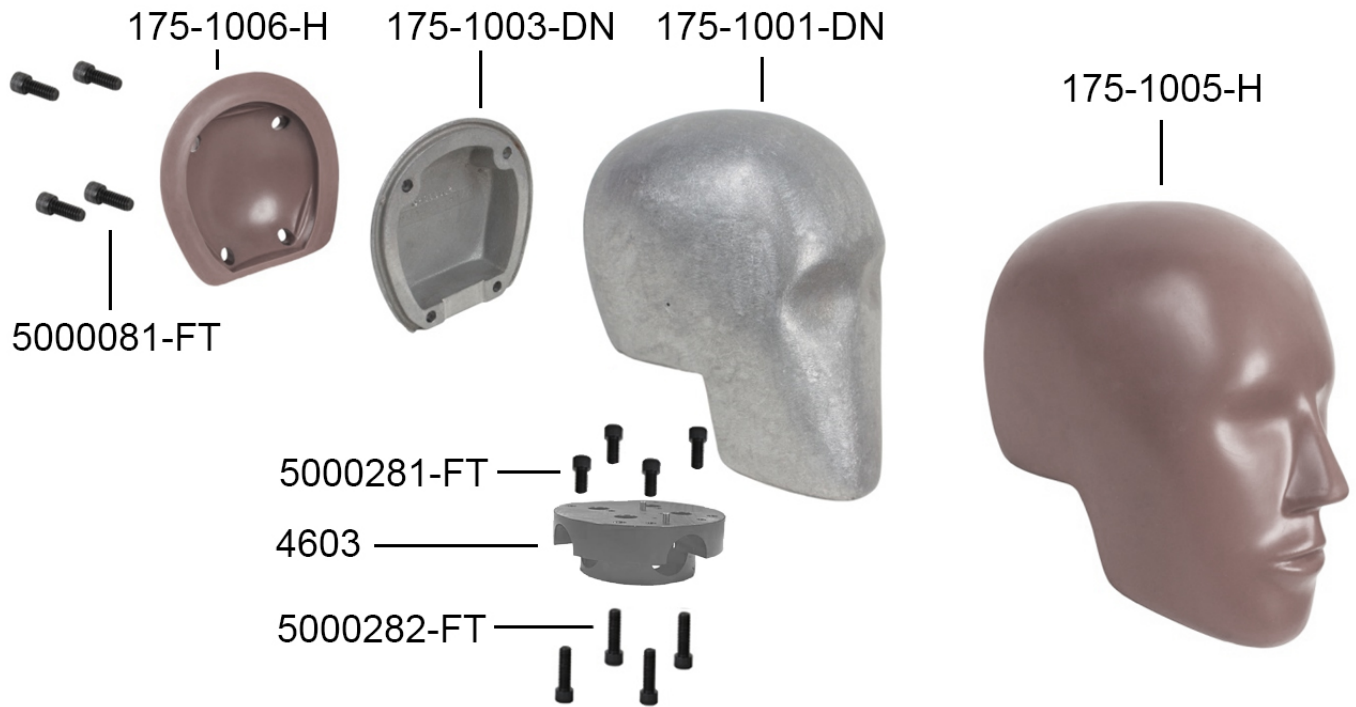
Head	4
Neck	5
Upper Torso Components	6
Shoulder	7-8
Rib	9-10
Lower Torso	11-12
Pelvis	13-14
Left Leg	15-16
Right Leg	17-18
Left Knee	19
Right Knee	20
Accelerometer Mount Matrix	21
Clothes	21
Misc	21

Background

The ES-2re Side Impact Dummy represents a 50th percentile adult male, without lower arms. Masses and inertia of dummy parts are based on known anthropomorphic data. The total mass of the dummy (including rib displacement transducers, force transducers in the abdomen, pubic symphysis force transducer, and suit) is 72.0 ± 1.55 kg.

The ES-2re dummy incorporates a rear rib extension bracket on the impact side of each rib that together with a rear rib extension guide provides more realistic interaction with vehicle seatbacks. Roller bearing guidance of rib extension were added in the backplate. A new backplate load cell was introduced

Head Assembly – Harmonized



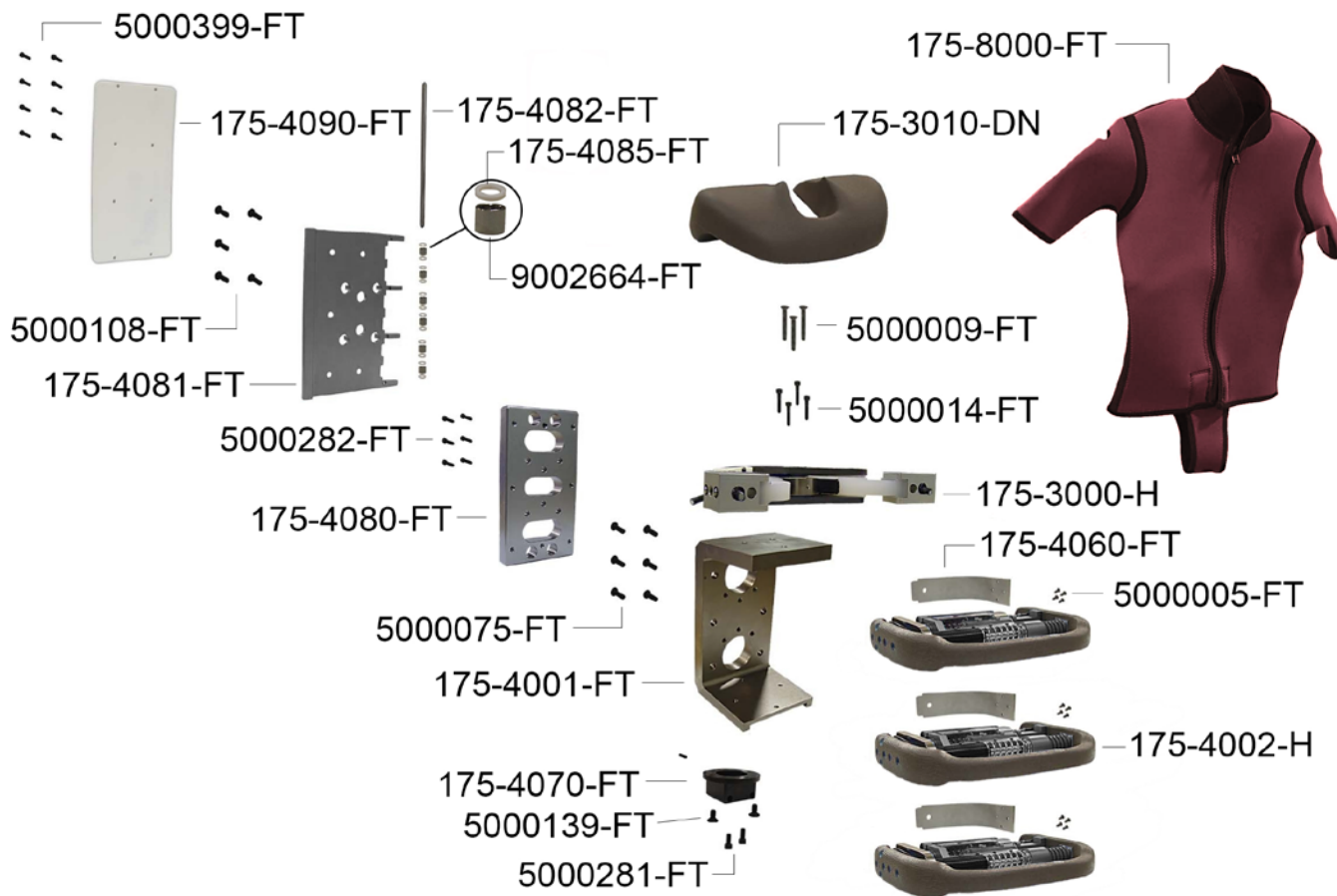
Part Number	Description	Qty. Req'd Per Dummy
175-1000-H	HEAD ASSEMBLY, TESTED/CERTIFIED	1
175-1001-DN	SKULL, MACHINED	1
175-1003-DN	SKULL CAP	1
175-1005-H	HEAD SKIN TESTED/CERTIFIED	1
175-1006-H	SKIN, CAP SKULL	1
4603	STRUCTURAL REPLACEMENT, U-NECK LC	1
5000081-FT	SCREW SHCS M6 X 1 X 16	4
5000281-FT	SCREW SHCS M6 X 1 X 12	4
5000282-FT	SCREW SHCS M6 X 1 X 22	4

Neck Assembly – Harmonized



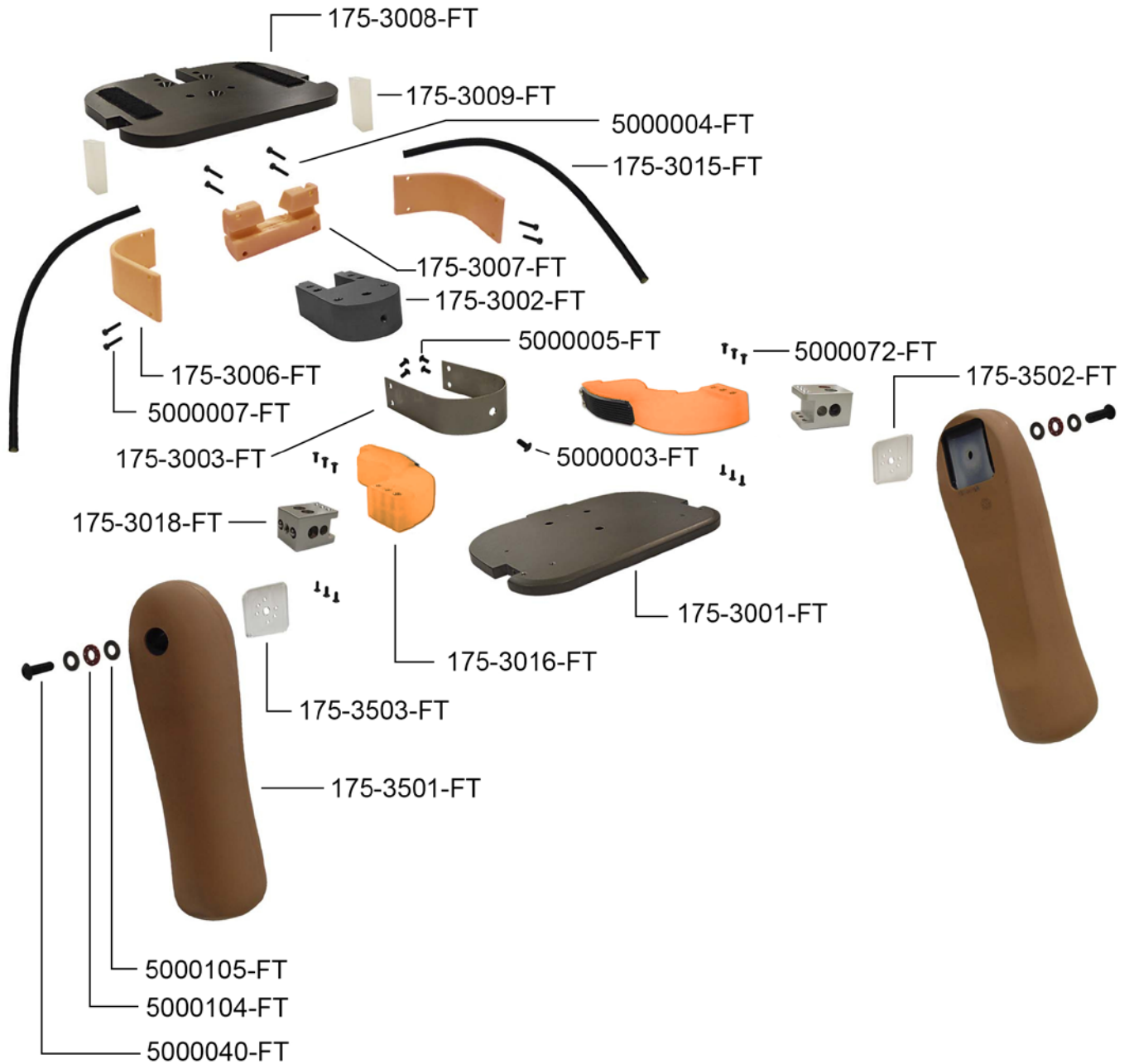
Part Number	Description	Qty. Req'd Per Dummy
175-2000-DN	NECK ASSEMBLY, EUROSID 2 RE	1
175-2001-DN	NECK, MOLDED, EUROSID 2 RE	1
175-2010-1-DN	NECK BUFFER, MOLDED, 60 SHORE A	8
175-2015-1-DN	NECK BUFFER, MOLDED, 70 SHORE A	8
175-2020-1-DN	NECK BUFFER, MOLDED, 80 SHORE A	8
175-2003-DN	PLATE, NECK HEAD, TORSO INTERFACE, ES- 2	2
175-2004-DN	HALF SPHERICAL SCREW, EUROSID 2	2
9000852-DN	SCREW, SHCS M6 X 1 X 16MM LONG	4
175-2500-DN	NECK BRACKET INCLUDING LIFTING EYEBOLT	1
175-2501-DN	NECK BRACKET, MACHINED, EUROSID 2	1
9010220-DN	EYEBOLT, M12 X 1.75, ZINC PLATED	1

Upper Torso Components – Harmonized



Part Number	Description	Qty. Req'd Per Dummy
175-4000-H	THORAX ASSEMBLY, WITH RIB EXTENSIONS	1
175-3010-DN	CAP, SHOULDER FOAM (R30134)& VELCO STRIPS	1
175-4001-FT	SPINE BOX, RIB EXTENSION	1
175-4002-H	RIB COMPLETE MODULE WITH RIB EXT, T/C	3
175-4060-FT	RIB EXTENSION	3
175-4070-FT	T12 STRUCTURAL REPLACEMENT	1
175-4080-FT	BACKPLATE LC REPLACEMENT, RIB EXTENSION	1
175-4081-FT	GUIDE, RIB EXTENSION	1
5000075-FT	SCREW SHCS M8 X 1.25 X 20	6
5000281-FT	SCREW SHCS M6 X 1 X 12	2
5000139-FT	SCREW FHCS M6 X 1 X 12	2
5000108-FT	SCREW FHCS M6 X 1 X 18	5
5000282-FT	SCREW SHCS M6 X 1 X 22	6
175-4082-FT	SHAFT, RIB EXTENSION	1
9002664-FT	BEARING NEEDLE ROLLER 1/4	6
175-4085-FT	SPACER, RIB EXTENSION	12
175-4090-FT	COVER, RIB EXTENSION	1
5000399-FT	SCREW BHCS M3 X 0.5 X 6 18-8 SS	8
175-8000-FT	RUBBER SUIT EUROSID-2 SAME AS E2.IA	1

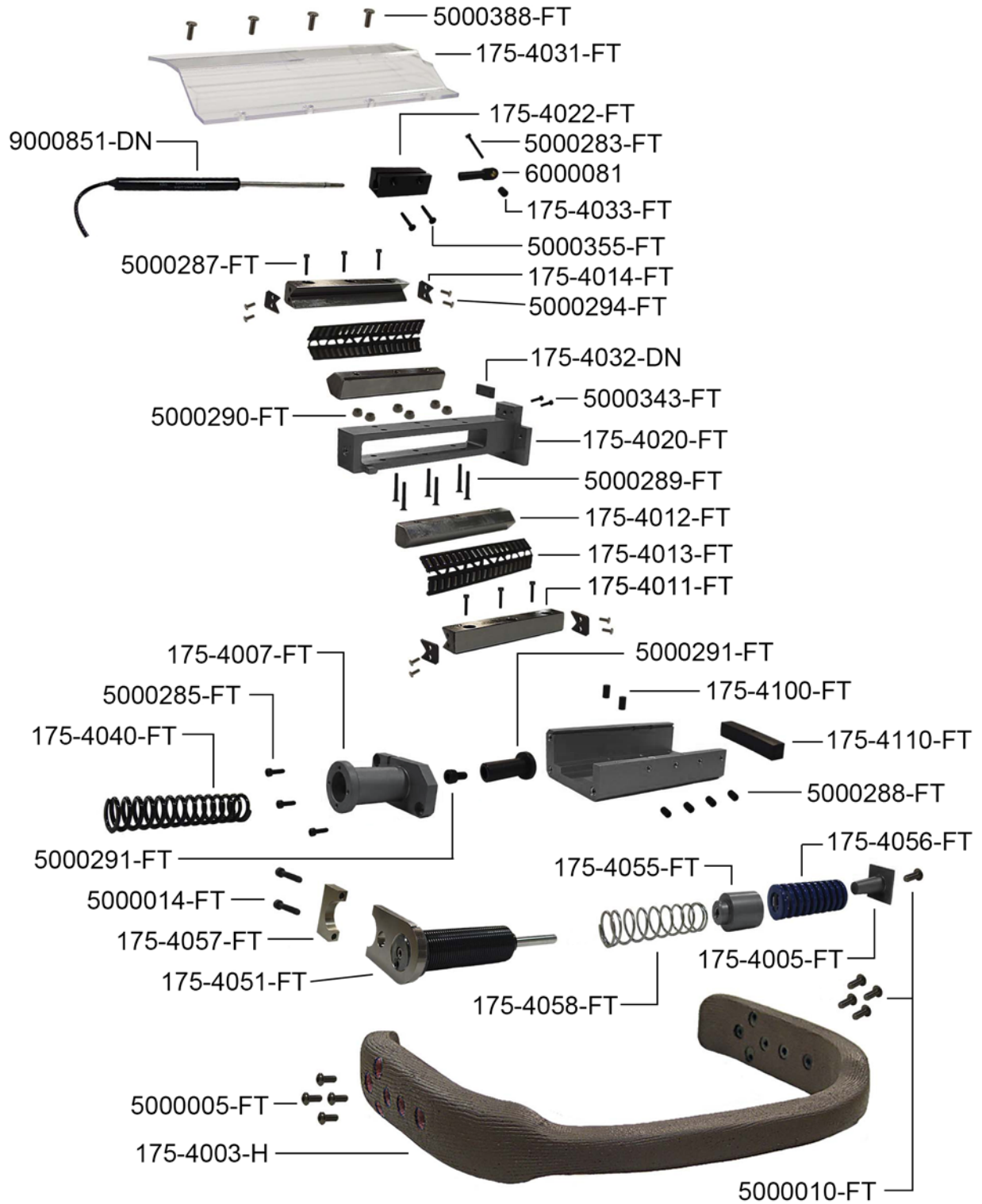
Shoulder – Harmonized



Part Number	Description	Qty. Req'd Per Dummy
175-3000-H	SHOULDER ASSEMBLY	1
175-3001-FT	PLATE, SHOULDER BOTTOM	1
175-3002-FT	SHOULDER SPACER BLOCK	1
175-3003-FT	U SPRING, SHOULDER	1
175-3004-FT	CLAVICLE, SHOULDER CAM – L & R, ES2	2
175-3016-FT	SHOULDER CAM CLAVICLE ASSEMBLY	2
175-3011-FT	CAM BUFFER PAD	2

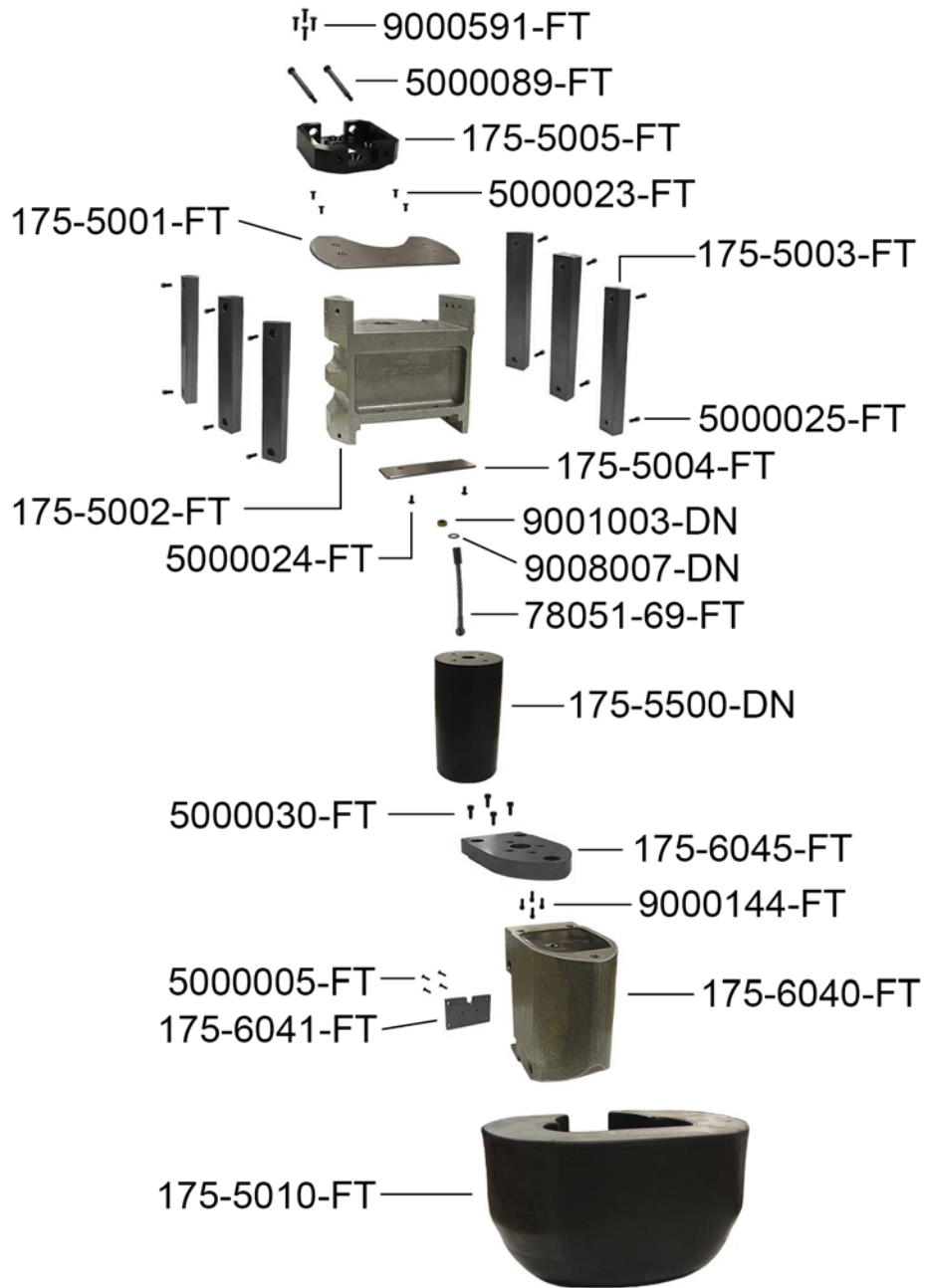
175-3018-FT	STRUCTURAL REPLACEMENT, SHOULDER LC	2
5000072-FT	SCREW BHCS M6 X 1 X 16	12
175-3006-FT	SHOULDER COVER PLATE	2
175-3007-FT	ELASTIC CORD HOLDER ES-2	1
175-3008-FT	SHOULDER TOP PLATE	1
175-3009-FT	CAM STOP BLOCK	2
175-3010-DN	CAP, SHOULDER FOAM (R30134)& VELCO STRIPS	1
5000005-FT	SCREW BHCS M4 X 0.7 X 12	4
5000003-FT	SCREW BHCS M5 X 0.8 X 10	1
5000007-FT	SCREW BHCS M4 X 0.7 X 20	4
5000004-FT	SCREW BHCS M4 X 0.7 X 25	4
175-3015-FT	BUNGEE (ELASTIC) CORD	2
9002370-FT	STRAIN RELIEF BUSHING, 5.6-6.22MM	2
5000009-FT	SCREW FHCS M6 X 1 X 50	3
5000014-FT	SCREW SHCS M6 X 1 X 35	4
175-3500-H	ARM ASSEMBLY, LEFT	1
175-3501-H	ARM FLESH ASSY, ES2-RE	1
175-3502-FT	PIVOT STOP PLATE LEFT	1
5000105-FT	WASHER FLAT M10 (10.5 X 20 X 2) ZINC HS	2
5000104-FT	BEARING THRUST10.5 ID CARB STL & WASHERS	1
5000040-FT	SCREW BHCS M10 X 1.5 X 30 NYLOK	1
175-3800-H	ARM ASSEMBLY, RIGHT	1
175-3501-H	ARM FLESH ASSY, ES2-RE	1
175-3503-FT	PIVOT STOP PLATE RIGHT	1
5000105-FT	WASHER FLAT M10 (10.5 X 20 X 2) ZINC HS	2
5000104-FT	BEARING THRUST10.5 ID CARB STL & WASHERS	1
5000040-FT	SCREW BHCS M10 X 1.5 X 30 NYLOK	1

Rib – Harmonized



Part Number	Description	Qty. Req'd Per Dummy
175-4002-H	RIB COMPLETE MODULE WITH RIB EXT, T/C	3
5000005-FT	SCREW BHCS M4 X 0.7 X 12	12
175-4060-FT	RIB, REAR BRACKET, RIB EXTENSION	3
5000010-FT	SCREW BHCS M4 X 0.7 X 10 18-8 SS	15
175-4050-FT	DAMPER SPRING ASSEMBLY	3
175-4051-FT	DAMPER ASSEMBLY	3
175-4055-FT	DAMPER SPRING CUP E2.DL	3
175-4056-FT	SPRING, DAMPER – STIFF SAME AS E.DJ	3
175-4057-FT	DAMPER BRACKET CLAMP	3
175-4058-FT	SPRING, DAMPER RETURN	3
9005104-DN	SCREW, SHCS M6 X 35	6
175-4006-H	RIB RAIL ASSEMBLY ES2-RE	3
175-4110-FT	SQUARE BUMPER	3
175-4100-DN	PISTON BUFFER, EUROSID II	6
175-4042-FT	SPRING 19.0 N/MM COLOR CODE BLUE E2.DPD	3
175-4041-FT	SPRING 13.8 N/MM (COLOR CODE WHITE)	3
175-4033-DN	TRANSDUCER BUSHING, THORAX, ES-2RE	3
6000081	ROD END 4-40	3
5000343-FT	SCREW SHCS M1.6 X 0.35 X 6	6
175-4032-DN	RIB ACCELEROMETER MOUNT, EUROSID II	3
5000388-FT	SCREW SHCS M3 X 0.5 X 8	12
175-4031-DN	COVER, THORAX, EUROSID II R.E.	3
5000288-FT	SCREW SSFP M4 X 0.7 X 8	12
5000283-FT	SCREW SHCS M2.5 X 0.45 X 16	3
5000290-FT	NUT HEX NYLON INSERT M4 X 0.7 ZINC	18
5000289-FT	SCREW FHCS M4 X 0.7 X 30	18
5000287-FT	SCREW SHCS M4 X 0.7 X 20	18
5000355-FT	SCREW FHCS M3 X 0.5 X 25	6
5000291-FT	SCREW SHCS M5 X 0.8 X 10	3
5000285-FT	SCREW SHCS M6 X 1 X 18	9
175-4040-FT	SPRING 16.4 N/MM (COLOR CODE BLACK)	3
175-4022-DN	TRANSDUCER MOUNT, THORAX, EUROSID II	3
175-4021-FT	TUNING SPRING SUPPORT THORAX	3
175-4020-FT	PISTON THORAX	3
175-4010-FT	RAIL GUIDE ASSEMBLY	3
175-4012-FT	V-RAIL	3
175-4011-FT	M-RAIL	3
175-4013-FT	NEEDLE BEARING STRIP	3
175-4014-FT	END PIECES AND END PLATE	6
5000294-FT	SCREW PHMS PHILLIP M3 X 0.5 X 8 ZINC	12
5000361-FT	BUSHING METRIC 8.4 OD X 4.2 ID X 4.5 THK	9
175-4008-FT	GUIDANCE BRACKET THORAX	3
175-4007-FT	CYLINDER	3
9000851-DN	LINEAR POSITION TRANSDUCER, EUROSID II	3
175-4005-FT	DAMPER SPRING LOCATOR	3
175-4003-H	RIB ASSEMBLY, RIB EXTENSIONS	3

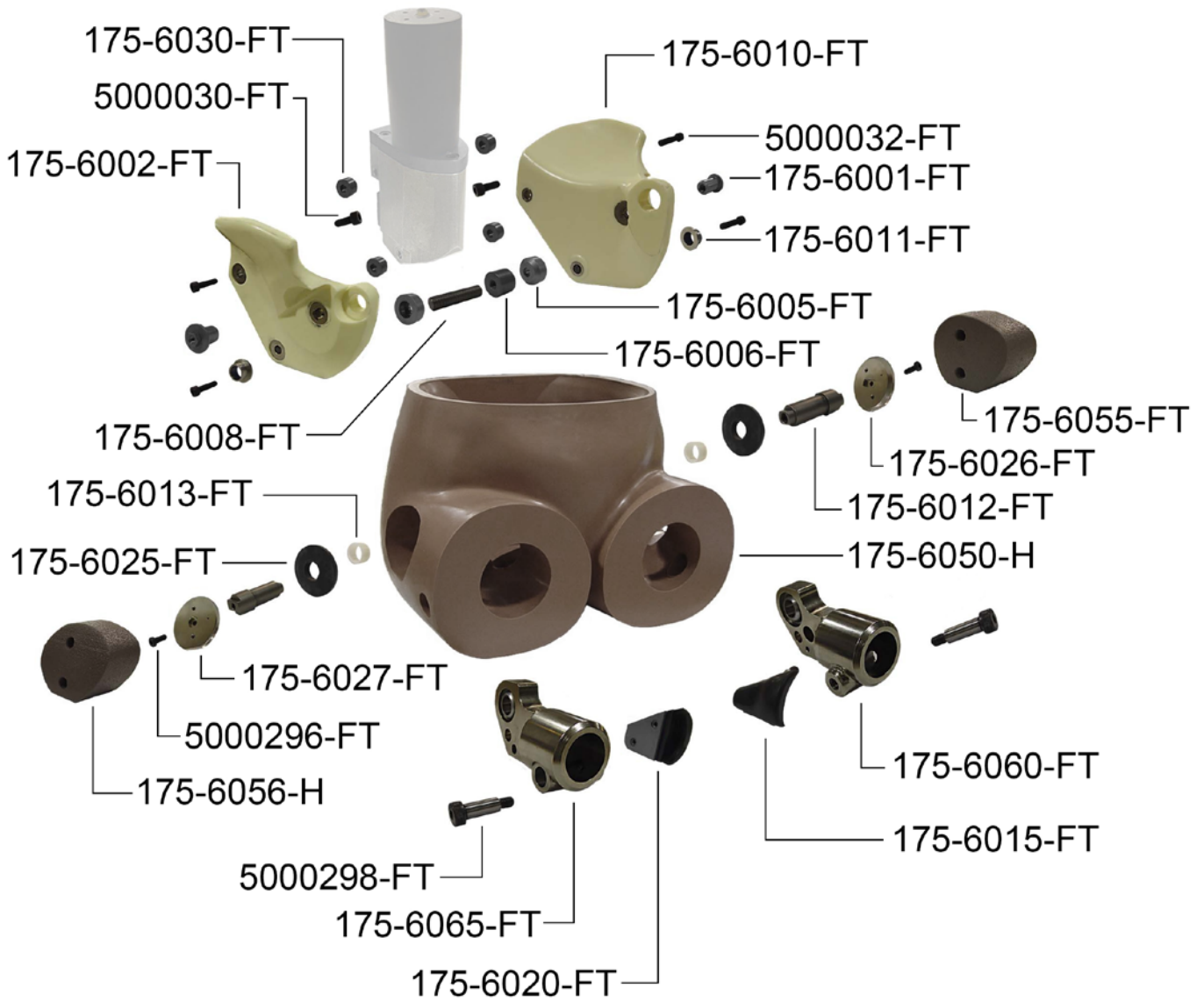
Lower Torso – Harmonized



Part Number	Description	Qty. Req'd Per Dummy
175-5000-FT	ABDOMINAL ASSEMBLY	1
175-5001-FT	ABDOMEN COVER PLATE	1
175-5002-FT	ABDOMINAL DRUM	1
175-5003-FT	STRUCTURAL REPLACEMENT, ABDOMEN LC	6
175-5004-FT	PLATE, LATCHING	1
175-5005-FT	T12 BASE ADAPTOR	1

5000023-FT	SCREW FHCS M4 X 0.7 X 10	4
5000025-FT	SCREW SHCS M4 X 0.7 X 16	12
5000024-FT	SCREW SHCS M4 X 0.7 X 8 ZINC	2
175-5010-FT	AB MOLDED ASSEMBLY, T/C	1
9000591-FT	SCREW FHCS ¼-20 X 1	4
5000089-FT	SCREW SHSS M8 X 60 (M6 X 1 THREAD)	2
175-5500-DN	LUMBAR SPINE ASSEMBLY, EUROSID 2	1
175-5501-DN	LUMBAR SPINE, MOLDED	1
78051-69-FT	CABLE ASSEMBLY, LUMBAR SPINE	1
9001003-DN	NUT, HEX ½-20	1
9008007-DN	WASHER, FLAT .515 ID X .875 OD	1
175-6040-FT	SACRUM BLOCK	1
175-6041-FT	PLATE, SACRUM COVER	1
5000030-FT	SCREW SHCS M8 X 1.25 X 25 18-8 SS	5
5000005-FT	SCREW BHCS M4 X 0.7 X 12	4
9000144-FT	SCREW SHCS 1/4-20 X 5/8	4
175-6045-FT	PLATE, LUMBAR MOUNTING	1
175-6050-H	PELVIS MOLDED,TESTED/CERTIFIED	1

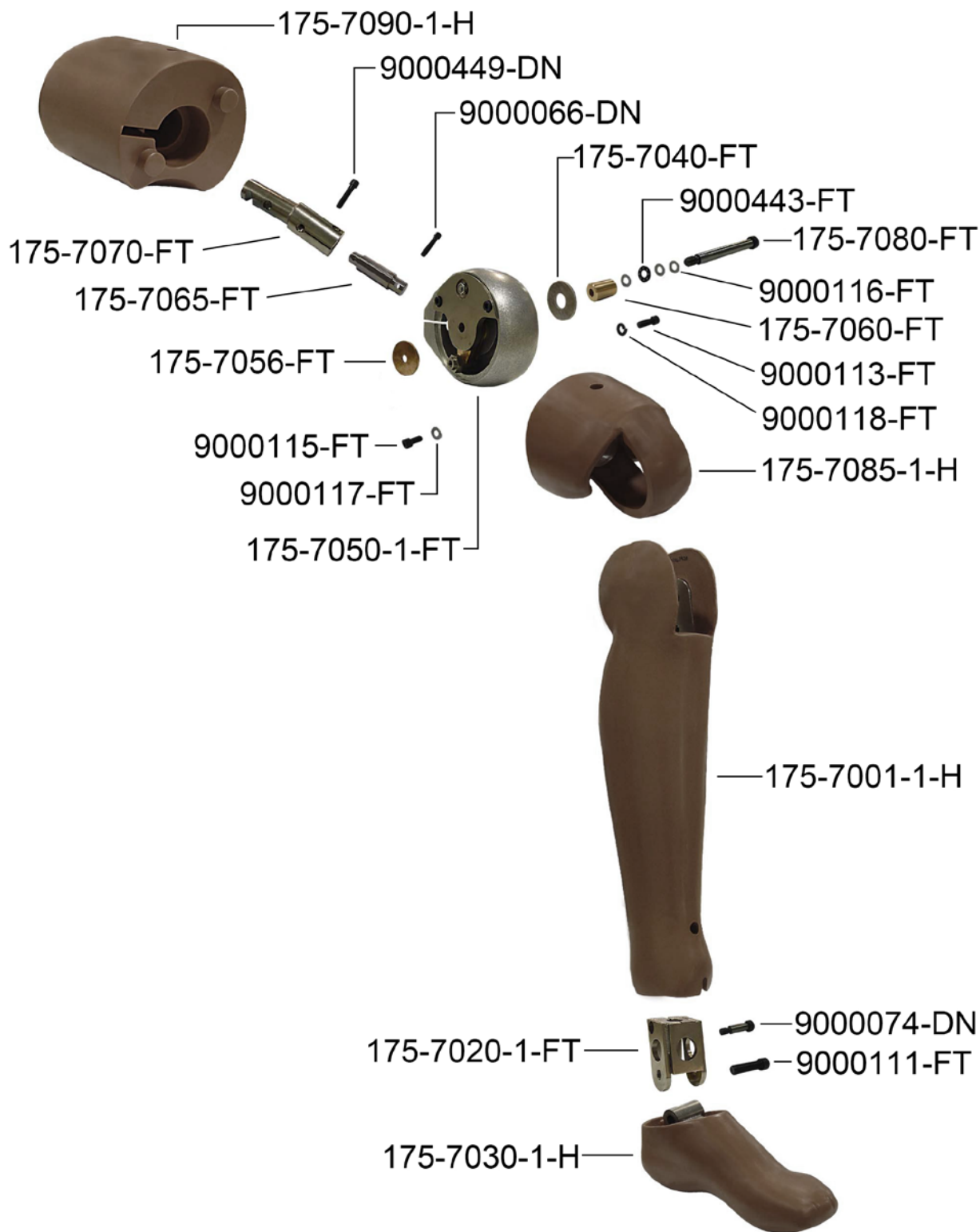
Pelvis– Harmonized



Part Number	Description	Qty. Req'd Per Dummy
175-6000-H	PELVIS ASSEMBLY, T/C	1
175-6040-FT	SACRUM BLOCK	1
175-6002-FT	ILIAC WING ASSEMBLY, RIGHT	1
175-6010-FT	ILIAC WING ASSEMBLY, LEFT	1
5000032-FT	SCREW SHCS M10 X 1.5 X 40 18-8 SS	4
175-6005-FT	TRANSDUCER SPACER	2
175-6006-FT	STRUCTURAL REPLACEMENT (PUBIC)	1
175-6001-FT	TRANSDUCER BUSHING	2
175-6011-FT	SPACER RING	2
175-6012-FT	HIP PIVOT PIN	2

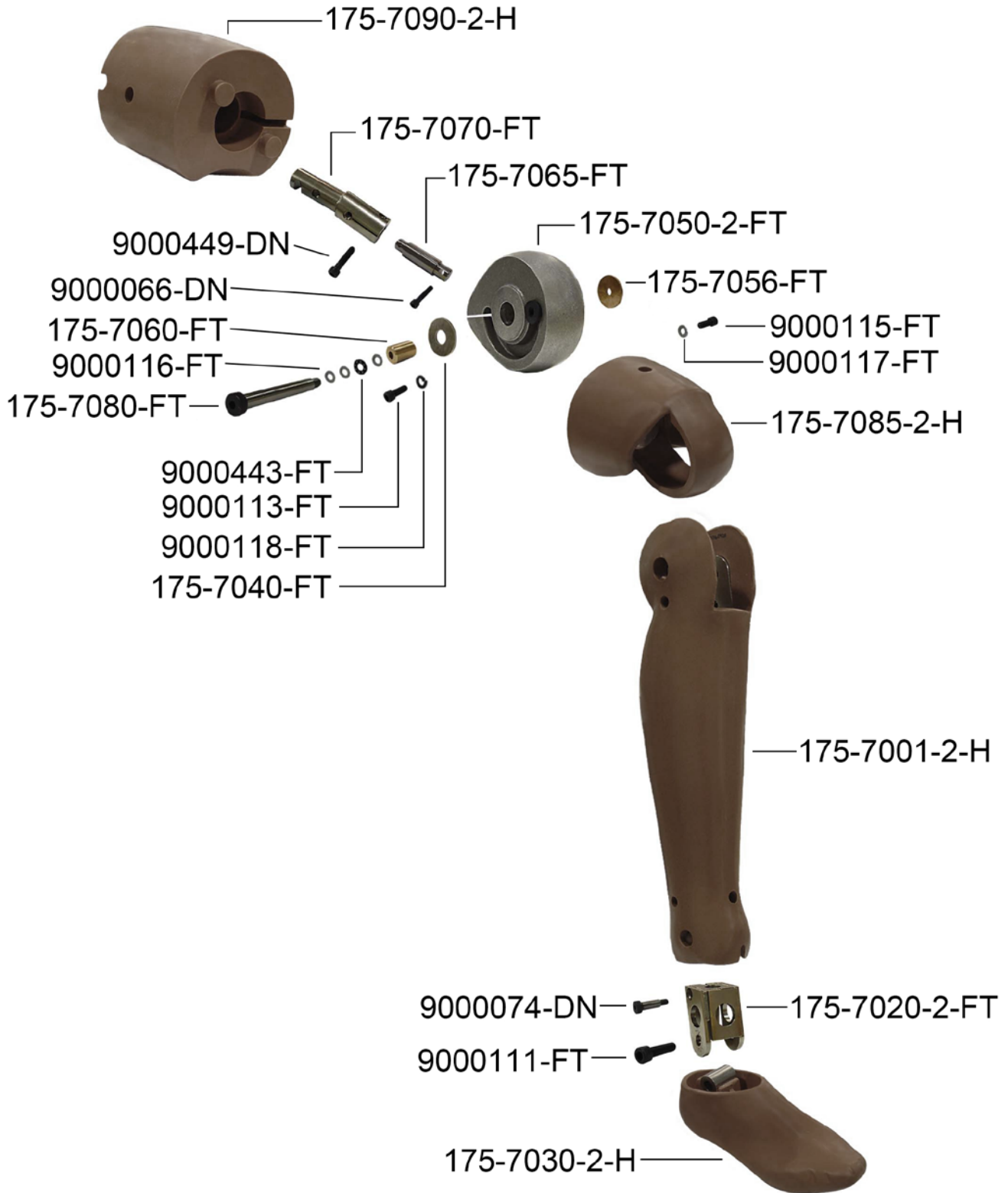
175-6013-FT	TUBE STOP	2
175-6015-FT	FEMUR BUFFER ASSEMBLY LEFT	1
175-6020-FT	FEMUR BUFFER ASSEMBLY RIGHT	1
175-6025-DN	BACK PLATE BUFFER, EUROSID II R.E.	2
175-6045-FT	PLATE, LUMBAR MOUNTING	1
175-6026-FT	BACK PLATE LEFT	1
175-6027-FT	BACK PLATE RIGHT	1
175-6030-FT	SACRUM SPACER	4
175-6041-FT	PLATE, SACRUM COVER	1
5000030-FT	SCREW SHCS M8 X 1.25 X 25 18-8 SS	5
175-6065-FT	UPPER FEMUR RH INCLUDE BEARING	1
175-6060-FT	UPPER FEMUR LH INCLUDE BEARING	1
5000110-FT	BEARING SPHERICAL 17 ID	2
5000111-FT	BEARING, BR35 SNAP RING INA	2
5000297-FT	SCREW LHCS M5 X 0.8 X 18	2
5000005-FT	SCREW BHCS M4 X 0.7 X 12	4
5000298-FT	SCREW SHSS M16 X 40 (M12 X 1.75 THREAD)	2
9000144-FT	SCREW SHCS 1/4-20 X 5/8	4
5000296-FT	SCREW LHCS M6 X 1 X 16	2
175-6050-H	PELVIS MOLDED,TESTED/CERTIFIED	1
175-6055-H	H-POINT FOAM BLOCK, LEFT	1
175-6056-H	H-POINT FOAM BLOCK, RIGHT	1

Leg Assembly Left – Harmonized



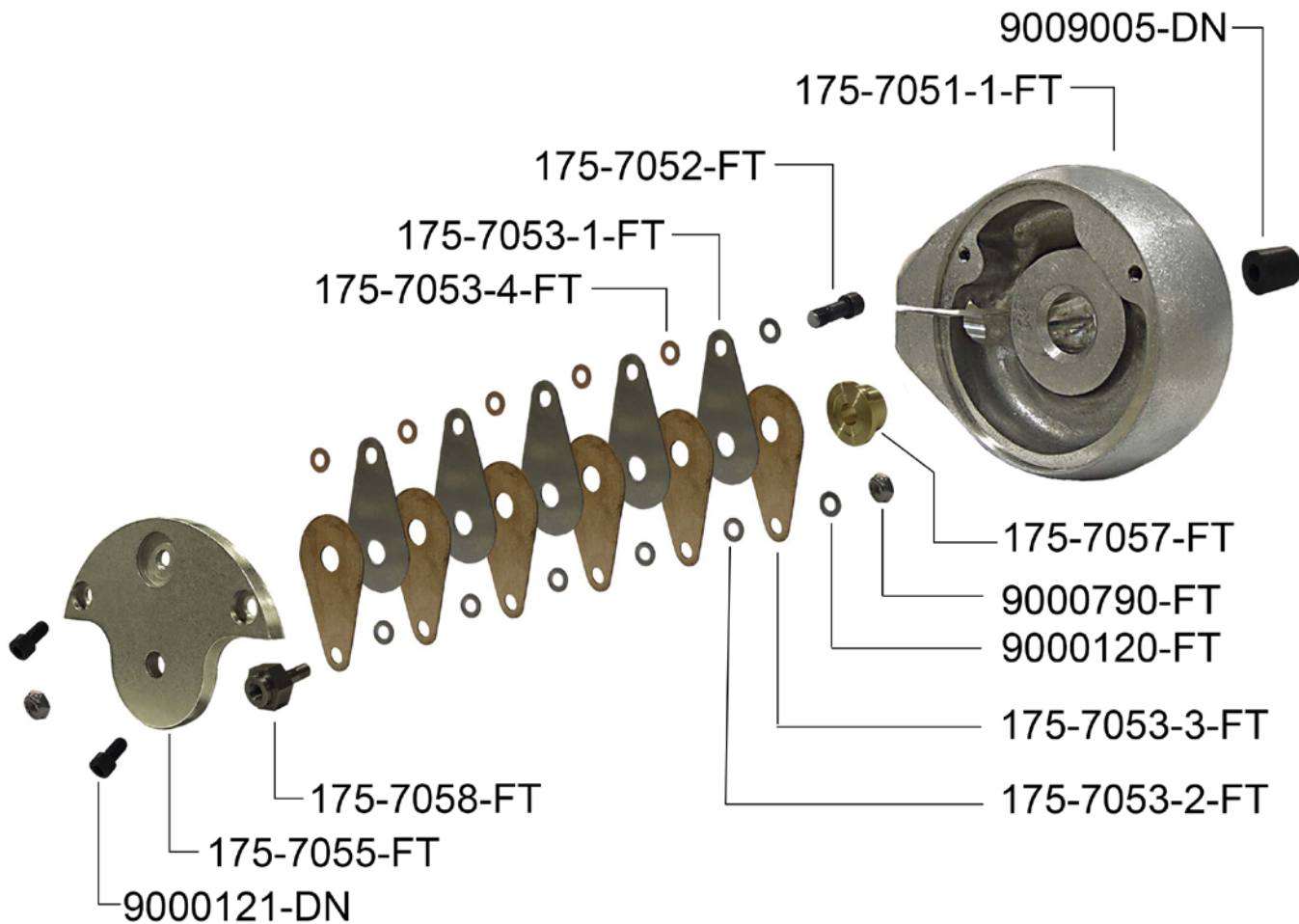
Part Number	Description	Qty. Req'd Per Dummy
175-7000-1-H	LEG ASSEMBLY, LEFT	1
175-7001-1-H	LOWER LEG ASSEMBLY, LEFT	1
175-7020-1-FT	WELDMENT, ANKLE ROTATION LEFT	1
175-7030-1-H	FOOT MOLDED ASSEMBLY, LEFT	1
175-7040-FT	WASHER, PHENOLIC	1
175-7050-1-FT	KNEE JOINT ASSEMBLY, LEFT	1
175-7060-FT	BUSHING	1
175-7065-FT	STRUCTURAL REPLACEMENT - FEMUR	1
175-7070-FT	WELDMENT, UPPER LEG BONE	1
9000449-DN	SCREW, SHCS 3/8-16 X 1-3/4	1
9000066-DN	SCREW, SHCS 3/8-16 X 2.00	1
9000074-	SHSS 3/8 X 1	1
9000118-FT	WASHER SPRING LOCK 5/16	1
9000113-FT	SCREW SHCS 5/16-24 X 7/8	1
9000117-FT	WASHER SPLIT LOCK 1/4 HEAVY 18-8 SS	1
9000115-DN	SCREW, SHCS 1/4-28 X 1/2	1
9000119-DN	SCREW, SHCS 6-32 X 1/2	1
9000111-FT	SCREW SHCS 1/2-20 X 2	1
9000116-FT	WASHER DISC SPRING 20MM X 10.2MM X 0.9MM	3
9000443-FT	BEARING THRUST B5-5	1
175-7080-FT	SCREW SHSS 3/8 X 3, MODIFIED	1
175-7085-1-H	KNEE FLESH, LEFT	1
175-7090-1-H	THIGH MOLDED, LEFT	1

Leg Assembly Right – Harmonized



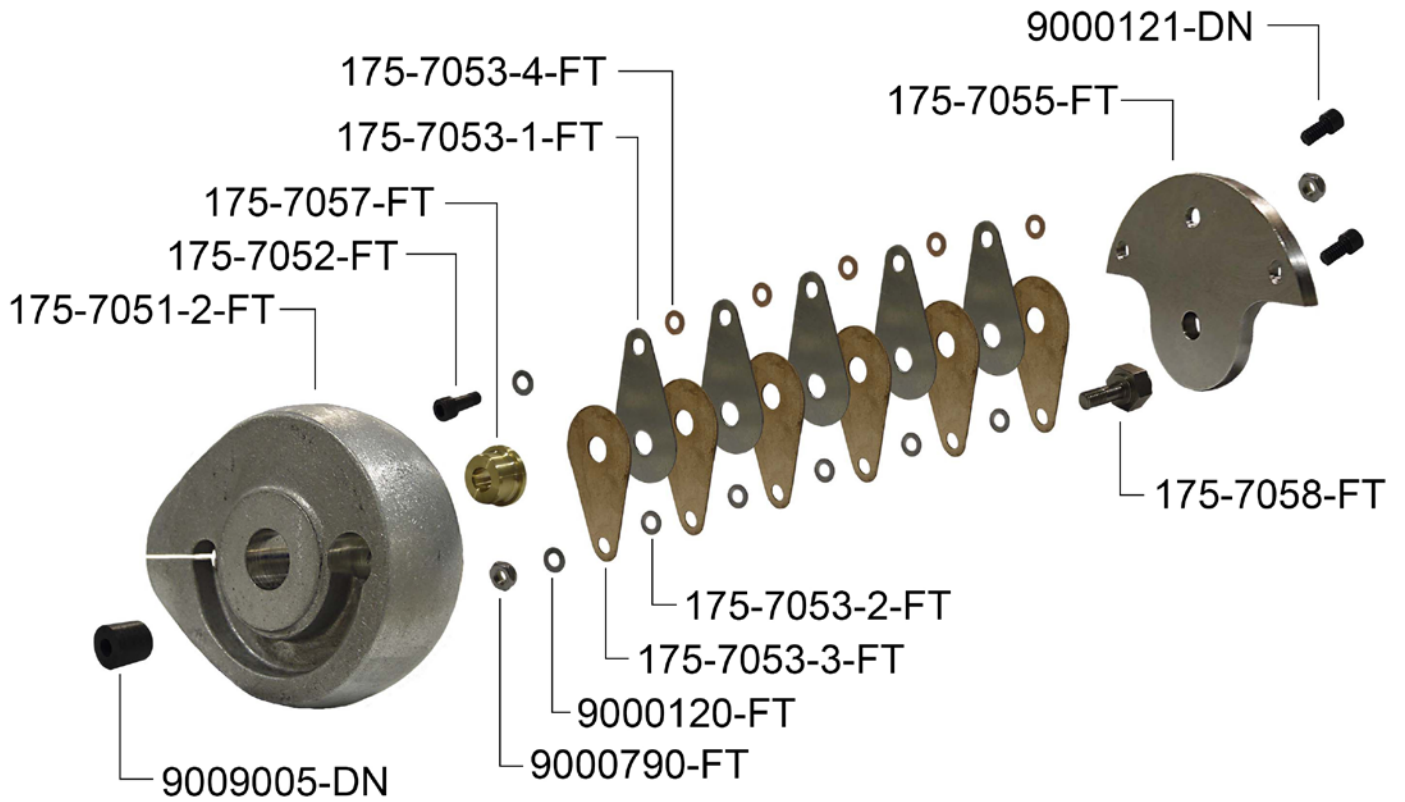
Part Number	Description	Qty. Req'd Per Dummy
175-7000-2-H	LEG ASSEMBLY, RIGHT	1
175-7001-2-H	LOWER LEG ASSEMBLY, RIGHT	1
175-7020-2-FT	WELDMENT, ANKLE ROTATION RIGHT	1
175-7030-2-H	FOOT MOLDED ASSEMBLY, RIGHT	1
175-7040-FT	WASHER, PHENOLIC	1
175-7050-2-FT	KNEE JOINT ASSEMBLY, RIGHT	1
175-7060-FT	BUSHING	1
175-7065-FT	STRUCTURAL REPLACEMENT - FEMUR	1
175-7070-FT	WELDMENT, UPPER LEG BONE	1
9000449-DN	SCREW, SHCS 3/8-16 X 1-3/4	1
9000066-DN	SCREW, SHCS 3/8-16 X 2.00	1
9000074-	SHSS 3/8 X 1	1
9000118-FT	WASHER SPRING LOCK 5/16	1
9000113-FT	SCREW SHCS 5/16-24 X 7/8	1
9000117-FT	WASHER SPLIT LOCK 1/4 HEAVY 18-8 SS	1
9000115-DN	SCREW, SHCS 1/4-28 X 1/2	1
9000119-DN	SCREW, SHCS 6-32 X 1/2	1
9000111-FT	SCREW SHCS 1/2-20 X 2	1
9000116-FT	WASHER DISC SPRING20MM X10.2MM X 0.9MM	3
9000443-FT	BEARING THRUST B5-5	1
175-7080-FT	SCREW SHSS 3/8 X 3, MODIFIED	1
175-7085-2-H	KNEE FLESH, RIGHT	1
175-7090-2-H	THIGH MOLDED, RIGHT	1

Knee Assembly Left – Harmonized



Part Number	Description	Qty. Req'd Per Dummy
175-7050-1-FT	KNEE JOINT ASSEMBLY, LEFT	1
175-7051-1-FT	KNEE CAP, LEFT	1
175-7055-FT	PLATE, SIDE	1
175-7056-FT	WASHER	1
175-7057-FT	RETAINER	1
175-7053-3-FT	FRICTION PLATE	6
175-7053-1-FT	PLATE, FRICTION	5
175-7053-2-FT	PLATE SPACER	5
175-7053-4-FT	PLATE SPACER - BRONZE	5
175-7052-FT	FRICTION PLATE RETAINING SCREW	1
175-7058-FT	STUD, RETAINER - FRICTION PLATE	1
9000790-FT	NUT LOCKNUT 1/4-28 ZINC	2
9000121-DN	SCREW, SHCS 1/4-20 X 1/2	2
9000120-FT	WASHER SCHNOOR S6.35MM	2
9009005-DN	E-LAST-O-SPRING ES-3511	2

Knee Assembly Right – Harmonized



Part Number	Description	Qty. Req'd Per Dummy
175-7050-2-FT	KNEE JOINT ASSEMBLY, RIGHT	1
175-7051-2-FT	KNEE CAP, RIGHT	1
175-7055-FT	PLATE, SIDE	1
175-7056-FT	WASHER	1
175-7057-FT	RETAINER	1
175-7053-3-FT	FRICION PLATE	6
175-7053-1-FT	PLATE, FRICTION	5
175-7053-2-FT	PLATE SPACER	5
175-7053-4-FT	PLATE SPACER - BRONZE	5
9000120-FT	WASHER SCHNOOR S6.35MM	2
175-7052-FT	FRICION PLATE RETAINING SCREW	1
175-7058-FT	STUD, RETAINER - FRICTION PLATE	1
9000790-FT	NUT LOCKNUT 1/4-28 ZINC	2
9000121-DN	SCREW, SHCS 1/4-20 X 1/2	2
9009005-DN	E-LAST-O-SPRING ES-3511	1

Accelerometer Mounts

Accelerometer Type	Complete Dummy	Components			
		Head	T1	T2	Pelvis
Endevco					
7264-2000	175-7264-2000-DN	SA572-S81-DN	SA572-S82-DN	SA572-S83-DN	SA572-S82-DN
7264B-2000	455-7264B-DN	4588	455-3221-DN	4352	455-3221-DN
7264C-2000	175-7264C-2000-DN	SA572-S81-DN	SA572-S82-DN	SA572-S83-DN	SA572-S82-DN

Clothes

Part Number	Description	Qty. Req'd Per Dummy
175-8000-FT	RUBBER SUIT EUROSID-2 SAME AS E2.IA	1

Misc.

Part Number	Description	Qty. Req'd Per Dummy
175-9901-FT	USER MANUAL ES2-RE	1
DS-200-52D	SKIN PATCH MATERIAL, EURO BROWN	1
175-9510-H	TOOL BOX, ES2-RE	1
175-SPK-FT	SMALL PARTS KIT ES-2RE	1
175-KIT-H	ES-2 RIB EXTENSION KIT	1